

Features

- Mechanically designed to carry VisuNet Ex1 units
- Prepared for different mounting options: Pedestal-/Wall-/Ceiling mounting
- Frontdoor for optimal accessibility during installation and maintenance

Application

The AG1 monitor housings allow an easy installation of VisuNet EX1 devices.

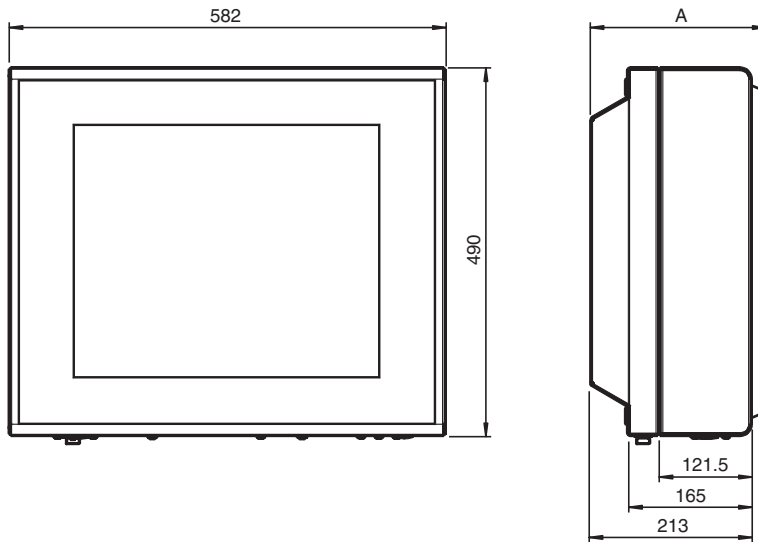
In combination with different standard mounting options the AG1 housing allows to create a broad variety of visualization systems that meet your application demands.



Mechanical specifications	
Degree of protection	IP66 (15" / 19") keyboard housing, optional: IP66 (on the back) , depending on mouse type at front - refer to datasheet EXTA2
Material	AG1: stainless steel 1.4301 (304) option available upon request : AS1: stainless steel 1.4571 (316Ti) / stainless steel 1.4404 (316L)
Mass	27 kg (15") 25 kg (19") 4 kg (keyboard housing, optional)
Dimensions	582 x 490 x 213 mm (without panel) 582 x 490 x 229 mm (15" panel) 582 x 490 x 224 mm (19" panel)
Construction type	front door hinge on the left

Dimensions

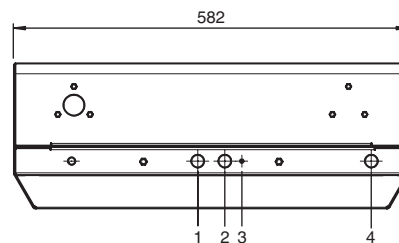
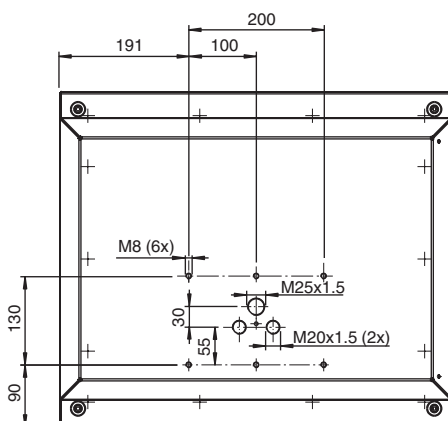
AG1 monitor housing with built-in 15"/19" panel for VisuNet EX1



	A
Built-in panel 15"	229 mm
Built-in panel 19"	224 mm

Back view AG1 monitor housing for 15" and 19" VisuNet EX1 panel

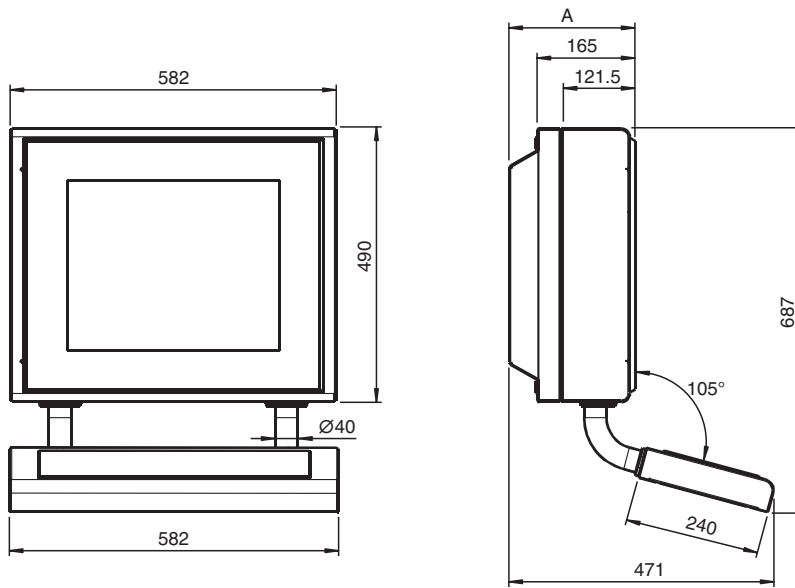
Bottom view AG1 monitor housing for 15" and 19" VisuNet Ex 1 panel



ase date 2015-01-15 09:03 Date of issue 2015-01-15 t170981_eng.xml

Housing with Keyboard Option -F

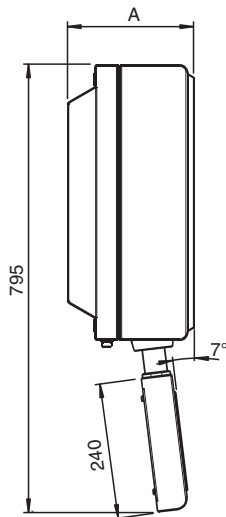
Monitor housing with built-in 15"/19" panel & keyboard option F for VisuNet EX1



	A
Built-in panel 15"	229 mm
Built-in panel 19"	224 mm

Housing with Keyboard Option -L

Monitor housing with built-in 15"/19" panel & keyboard option L for VisuNet EX1



	A
Built-in panel 15"	229 mm
Built-in panel 19"	224 mm

ase date 2015-01-15 09:03 Date of issue 2015-01-15 t170981_eng.xml