



# Power Hub Motherboard

## FieldConnex® Fieldbus

### MBHC-FB-8R\*

- 8 segments, redundant, individual modules per segment
- Supports all PLC and PCS hosts
- High-power trunk: Live work on devices in any hazardous area
- Best quality, smallest size and lowest heat dissipation
- For FOUNDATION Fieldbus H1
- Optional advanced diagnostics
- Passive impedance for high reliability
- Supports Ex ic voltage limitation
- Installation in Zone 2/Div. 2
- Spring terminals or screw terminals selectable

Power hub motherboard with common host interface

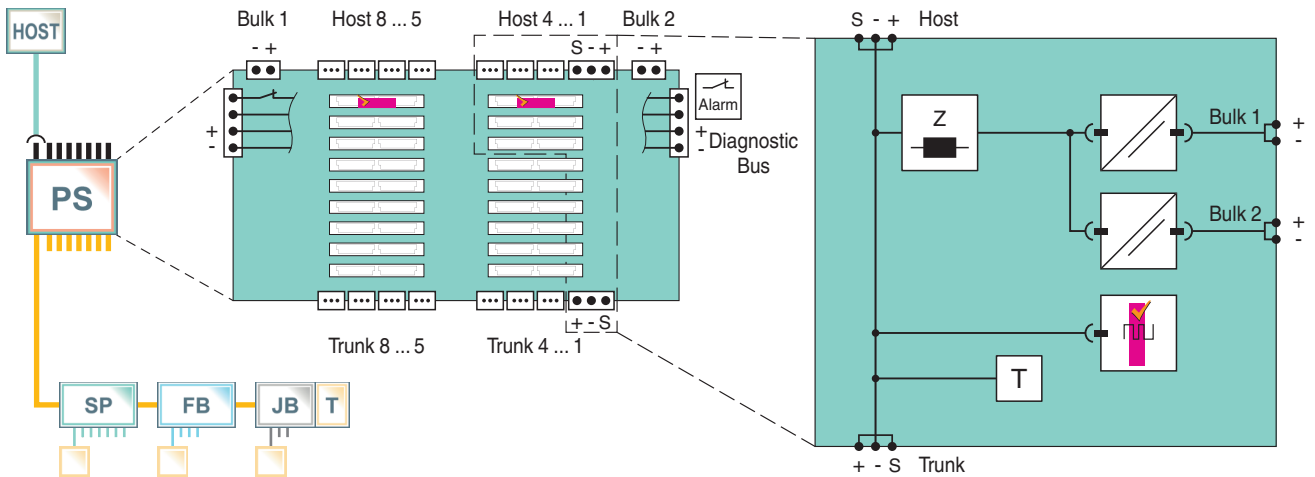


## Function

The FieldConnex® compact Power Hub is a modular fieldbus power supply for eight segments with lowest power dissipation and smallest foot print. It supports explosion protection e.g. the high-power trunk for longest cable run and highest device count. The Power Hub supports optional advanced diagnostics for fast fieldbus commissioning and online monitoring. The motherboard is the wiring interface with terminals for all DCS and PLC host systems. Sockets for all modules enable simple installation and replacement without tools. For power redundancy with seamless transfer, pairs of modules feed each segment. Wire connections can be selected as spring terminals or screw terminals.

This design allows the most compact cabinet layout. Excellent availability and a very long service life are achieved through: passive impedance filter per segment, high-availability fieldbus termination and plugs with retaining screws. Electronics are optimized for lowest power dissipation and compactness.

## Connection



## Technical Data

General specifications	
Design / Mounting	Motherboard based
Installation in hazardous area	Zone 2 / Div. 2
Supply	
Connection	redundant
Rated voltage	$U_r$ 19.2 ... 35 V SELV/PELV
Rated current	$I_r$ 16 A

Release date: 2025-02-07 Date of issue: 2025-02-07 Filename: t171429\_eng.pdf

## Technical Data

Power dissipation	typ. 0.4 W per segment
<b>Fieldbus connection</b>	
Number of segments	8 Redundant Power Supply
Host-side	general purpose host
Terminating resistor	100 Ω integrated
<b>Indicators/operating means</b>	
Fault signal	VFC alarm 1 A, 50 V DC, normally closed
<b>Galvanic isolation</b>	
Fieldbus segment/Fieldbus segment	functional insulation acc. to IEC 62103, rated insulation voltage 50 V <sub>eff</sub>
Fieldbus segment/Supply	functional insulation acc. to IEC 62103, rated insulation voltage 250 V <sub>eff</sub>
<b>Directive conformity</b>	
Electromagnetic compatibility	
Directive 2014/30/EU	EN 61326-1:2013
<b>Standard conformity</b>	
Electromagnetic compatibility	NE 21:2011
Degree of protection	IEC 60529
Fieldbus standard	IEC 61158-2
Shock resistance	EN 60068-2-27
Vibration resistance	EN 60068-2-6
<b>Ambient conditions</b>	
Ambient temperature	-40 ... 70 °C (-40 ... 158 °F)
Storage temperature	-40 ... 85 °C (-40 ... 185 °F)
Relative humidity	< 95 % non-condensing
Shock resistance	15 g 11 ms
Vibration resistance	1 g , 10 ... 150 Hz
Pollution degree	max. 2, according to IEC 60664
Corrosion resistance	acc. to ISA-S71.04-1985, severity level G3
<b>Mechanical specifications</b>	
Connection type	screw terminal , pluggable spring terminal , pluggable
Core cross section	2.5 mm <sup>2</sup>
Housing material	Polycarbonate
Degree of protection	IP20
Mass	approx. 1350 g
Dimensions	
Height	150 mm
Width	268 mm
Depth	69 mm
Mounting	DIN rail mounting
<b>Data for application in connection with hazardous areas</b>	
Certificate	TÜV 10 ATEX 555761X
Marking	Ⓜ II 3G Ex ec IIC T4 Gc
Directive conformity	
Directive 2014/34/EU	EN IEC 60079-0:2018+AC:2020 , EN 60079-7:2015+A1:2018 , EN 60079-11:2012
<b>International approvals</b>	
FM approval	
FM certificate	FM 19 US 0015 X and FM 19 CA 0011 X
Approved for	Class I, Division 2, Groups A, B, C, D, T4 / Class I, Zone 2, AEx/Ex ec IIC T4
IECEx approval	
IECEx certificate	IECEx TUN 13.0037X
IECEx marking	Ex ec IIC T4 Gc
<b>General information</b>	

### Technical Data

Supplementary information

Observe the certificates, declarations of conformity, instruction manuals, and manuals where applicable. For information see [www.pepperl-fuchs.com](http://www.pepperl-fuchs.com).

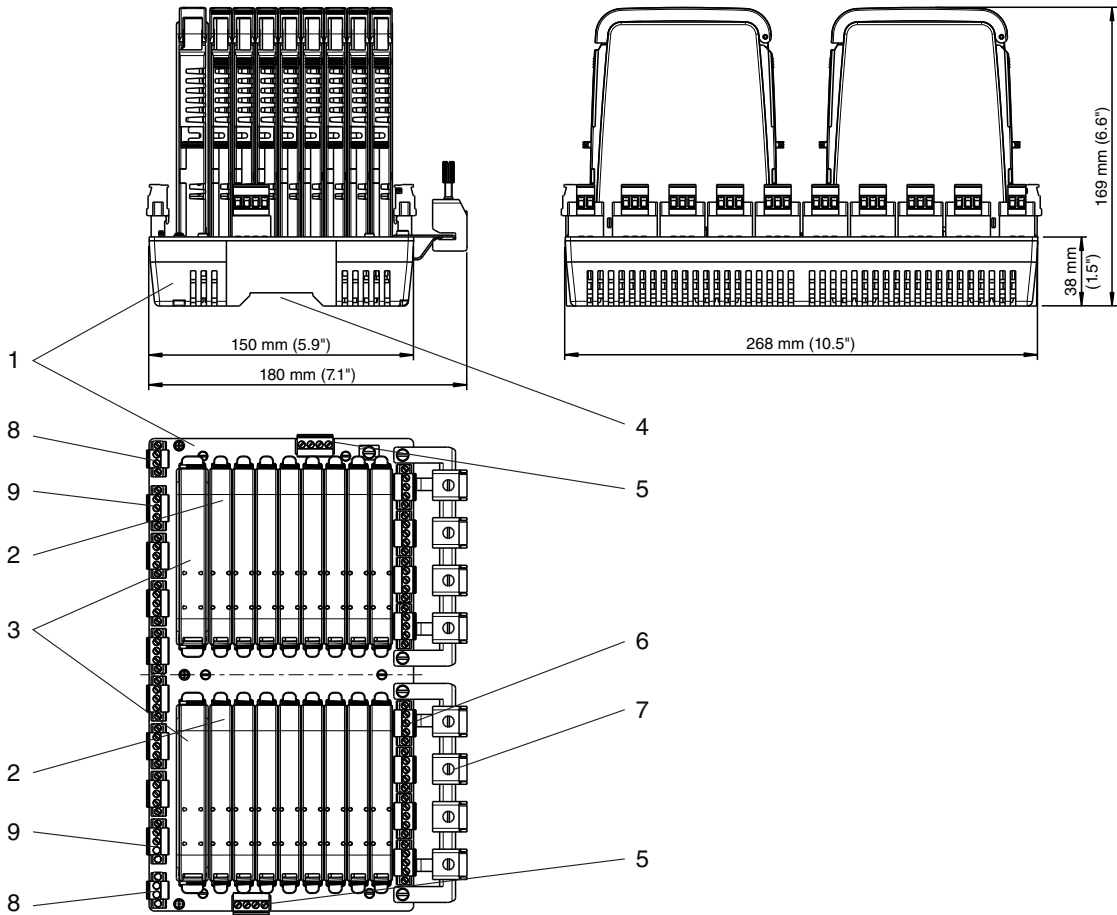
### Assembly



Release date: 2025-02-07 Date of issue: 2025-02-07 Filename: t171429\_eng.pdf

**Additional Information**

**Dimensions and Assembly**



**Description:**

- 1 Motherboard MBHC-FB-8R\*
- 2 Power supply modules
- 3 Diagnostic modules
- 4 Mounting slot for DIN mounting rail
- 5 Connections for alarm volt-free contact and diagnostic bus
- 6 Connections for fieldbus trunk
- 7 Screening/earthing kit for trunk cables shield, optional accessory
- 8 Connections for bulk power supply
- 9 Connections for host

**Components**

**Compatible Power Supply Modules**

		HCD2-FBPS-1.23.500	HCD2-FBPS-1.500	
<b>Power Output</b>				
Voltage (V)		21 ... 23	28 ... 29.5	
Current (mA)		500	500	
Limit U <sub>0</sub> (V)		24	30	
<b>Device in ...</b>	<b>Type of Protection</b>			<b>Required Installation Components</b>
Zone 0/Div. 1	Intrinsically safe Ex ia		■	FieldBarrier
Zone 1/Div. 1	Intrinsically safe Ex ia		■	FieldBarrier
Zone 1/Div. 1	Flameproof Ex d		■	Segment Protector R-SP-E12 or any Segment Protector installed in Zone 2

Release date: 2025-02-07 Date of issue: 2025-02-07 Filename: t171429\_eng.pdf

Zone 2	Intrinsically safe Ex ic (Entity)	■	■	Selected Segment Protectors
Div. 2	Non-incendive	■	■	Any Segment Protector; power module selection depends on voltage of field device
Safe Area	No specific type of protection		■	Segment Protector recommended

For more details on the power supply modules see respective data sheets.

## Diagnostic Module Selection

The following diagnostic modules are compatible with this motherboard.

Type code	Description
HD2-DM-B	Diagnostic Module, basic version
HD2-DM-A	Diagnostic Module, advanced version
HD2-DM-A.RO	Diagnostic Module, advanced version, relay output

The stationary and mobile Advanced Diagnostic Module (ADM) and related components provide measurement tools for the fieldbus physical layer. The ADM monitors many quality indicating values of the fieldbus physical layer. An expert system, which is included, analyzes the values and issues easy to understand messages indicating cause and remedy. The ADM is recommended for:

- **Faster commissioning and plant start-up:** Installation issues are known and corrected before loop check commences
- **Reliable operation through online monitoring:** The quality of the physical layer and installation is monitored making fieldbus a manageable asset
- **Efficient troubleshooting:** An expert system guides the user through issues and faults in the fieldbus installation

Many other tools are included that enhance fieldbus installation and upkeep. Please see datasheet on HD2-DM-A.

## Product Versions

Type code	Description
MBHC-FB-8R	Redundant motherboard with pluggable screw terminals
MBHC-FB-8R.1	Redundant motherboard with pluggable spring terminals