



Cable Glands, Metal, for armored Cables

CG.AR.*.*.*

- For armored cables
- Brass nickel-plated or stainless steel
- Metric and NPT versions available
- Ex d, Ex e and Ex tb certified
- Suitable for operation in Zone 1, Zone 2, Zone 21 and Zone 22
- Suitable for operation in Class I, Zone 1/2/22
- Suitable for operation in Class I, Division 2 when installed in accordance with NEC501.10(B)(2)
- Degree of protection IP66 / IP68, UL Type 4X



Function

The metal cable glands type CG.AR can be used indoor and outdoor in Zone 1, Zone 2, Zone 21 and Zone 22 hazardous areas. They are intended for use with armored cables providing a combined flameproof seal and environmental seal on the outer and inner sheath of the cable. Typical armors which can be clamped are steel wire armor (SWA), steel wire braided (SWB), steel tape armor (STA), pliable wire armor (PWA) and aluminum wire armor (AWA).

Technical Data

Mechanical specifications	
Cable type	armored cables
Clamping range (D)	see data table
Thread type	metric ISO pitch 1.5 mm or NPT ANSI ASME B1.20.1
Thread size (TD)	see data table
Degree of protection	IP66 / IP68 , UL Type 4X
Material	
Finish	inherent color silver
Cable gland	brass nickel-plated or AISI 316 (1.4401) stainless steel
Washer gasket	aramid fibers bonded with NBR
O-Ring	chloroprene / neoprene or silicone
Seal insert	chloroprene / neoprene or silicone
Mass	see data table
Dimensions	see data table
Ambient conditions	
Ambient temperature	chloroprene seal: -40 ... 80 °C (-40 ... 176 °F) silicone seal: -60 ... 100 °C (-76 ... 212 °F) washer gasket: -50 ... 80 °C (-58 ... 176 °F) Service temperature might be limited by the use of sealing plugs or washer gaskets.
Data for application in connection with hazardous areas	
EU-type examination certificate	CESI 14 ATEX 033X
Marking	⊕ II 2 GD Ex db IIC Gb Ex eb IIC Gb Ex tb IIIC Db
International approvals	
UL approval	
cULus	E490324 tested to UL 514B E490962 tested to UL 2225 CSA 60079-7 , CSA 60079-31
IECEx approval	IECEx CES 14.0022X

Release date: 2023-09-01 Date of issue: 2023-09-01 Filename: t171445_eng.pdf

Technical Data

UKCA approval	CML 22 UKEX 1266X
INMETRO approval	DNV 20.0028 X
CCoE approval	PESO A/P/HQ/KA/104/5575 (P418742)
IA approval	MASC MS/17-2357X
CCC approval	2021312313000346
Conformity	
Degree of protection	EN 60529
CE marking	0102
General information	
Scope of delivery	K01 - metric variants, individual component: Cable gland , washer gasket , locknut , Earth tag , shroud PVC , Brief instructions K01 - NPT variants, individual component: Cable gland , shroud PVC , Brief instructions Knn - packing unit with multiple components: Cable glands , Brief instructions (1 copy)
Supplementary information	EC-Type Examination Certificate, Statement of Conformity, Declaration of Conformity, Attestation of Conformity and instructions have to be observed where applicable. For information see www.pepperl-fuchs.com .

Type Code

1	2	3	4	5	6	7
CG	AR	***	**	*	**	K**
CG	AR	M20	SS	C	16	K01

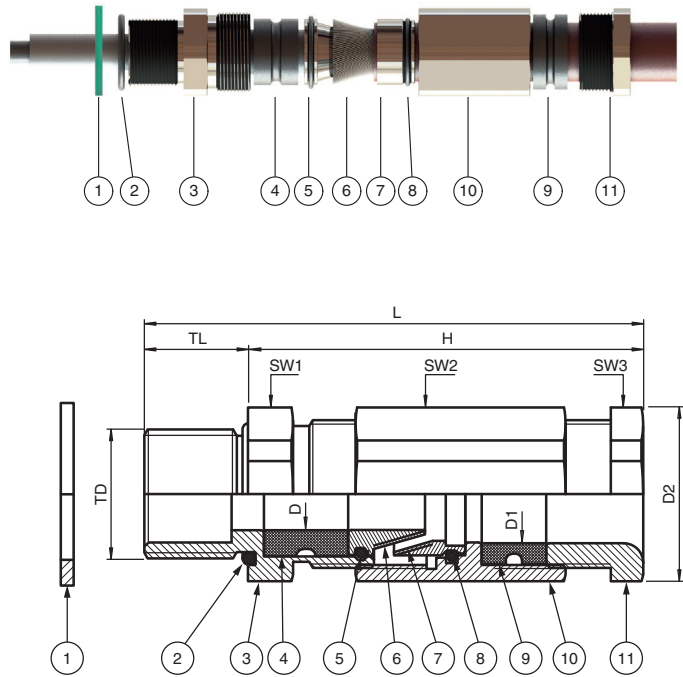
Example: CG.AR.M20.SS.C.16.K01

Cable gland metal, for armored cables, thread size M20, body stainless steel, chloroprene seals for -40 °C ... 80 °C, installation thread length 16 mm, one piece

1	Series
CG	cable glands
2	Type
AR	metal, for armored cables
3	Thread, type and size
M*	metric ISO pitch 1.5; sizes see dimensions data table
NPT*	NPT ANSI ASME B1.20.1; sizes see dimensions data table
4	Material
BN	brass nickel-plated
SS	stainless steel
5	Material seals / O-Ring
C	chloroprene / neoprene
S	silicone
6	Thread length for installation in enclosure
**	length in mm
7	Packaging unit
	units not packaged, for use in Pepperl+Fuchs Solution Engineering Centers
K**	units quantity per package

Dimensions

Legend	
1	Washer gasket (accessory)
2	O-Ring
3	Gland body basis
4	Inner seal insert for cable without armor
5	O-ring
6	Armor cone
7	Armor tightening ring
8	O-ring
9	Outer seal insert for cable including armor
10	Gland body
11	Pressure nut
D	Clamping range, cable diameter without armor at inner seal insert
D1	Clamping range, cable sheath diameter with armor at outer seal insert
D2	Width across corners
H	Length outside enclosure
L	Total length
SW*	Width across flats
TD	Thread size
TL	Thread length



Release date: 2023-09-01 Date of issue: 2023-09-01 Filename: t171445_eng.pdf

Dimensions Metric - Brass Nickel-plated

Type	Thread size	Clamping range [mm]		Armor thickness [mm]		Dimensions [mm]							UL
	TD	D	D1	min.	max.	H	L	TL	D2	SW1	SW2	SW3	
CG.AR.M16.BN.C.16.*	M16	6 ... 11	8 ... 15	0.4	1.3	63.5	79.5	16	27	25	25	25	-
CG.AR.M20.BN.C.16.*	M20	6 ... 11	8 ... 15	0.4	1.3	63.5	79.5	16	27	25	25	25	X
CG.AR.M20L.BN.C.16.*	M20	10 ... 15.5	13.5 ... 21	0.4	1.3	66.5	82.5	16	33	30	30	30	X
CG.AR.M25S.BN.C.16.*	M25	6 ... 11	8 ... 15	0.4	1.3	63.5	79	16	33	30	25	25	X
CG.AR.M25.BN.C.16.*	M25	10 ... 15.5	13.5 ... 21	0.4	1.3	66	82	16	33	30	30	30	X
CG.AR.M25L.BN.C.16.*	M25	13.5 ... 20.5	18 ... 27	0.4	1.6	82.5	98.5	16	44.5	40	40	40	X
CG.AR.M32.BN.C.16.*	M32	13.5 ... 21	18 ... 27	0.4	1.6	82.5	98.5	16	44.5	40	40	40	X
CG.AR.M32L.BN.C.16.*	M32	18 ... 27	23 ... 33	0.4	1.6	85	101	16	47	43	43	43	X
CG.AR.M40.BN.C.16.*	M40	23 ... 33	29 ... 40	0.6	2	97	113	16	55.5	50	50	50	X
CG.AR.M50.BN.C.16.*	M50	29 ... 41	35 ... 48	0.6	2.5	105.5	121.5	16	64	58	58	58	X
CG.AR.M63.BN.C.20.*	M63	35 ... 48	42 ... 56	0.6	2.5	134	154	20	83	75	75	75	X

UL: X = UL approved

Details and Accessories Metric - Brass Nickel-plated

Type	Thread size	Mass approx.		Diameter thru-hole [mm]	Nut torques [Nm]			Delivery quantity
	TD	Component	Packaging unit	DT	SW1	SW2	SW3	
CG.AR.M16.BN.C.16.K01	M16	134 g	174 g	16 ... 16.2	4	35	25	1
CG.AR.M16.BN.C.16.K15	M16	134 g	2.21 kg	16 ... 16.2	4	35	25	15
CG.AR.M20.BN.C.16.K01	M20	139 g	178 g	20 ... 20.2	6	35	25	1
CG.AR.M20.BN.C.16.K15	M20	139 g	2.29 kg	20 ... 20.2	6	35	25	15
CG.AR.M20L.BN.C.16.K01	M20	178 g	231 g	20 ... 20.2	6	45	35	1
CG.AR.M20L.BN.C.16.K15	M20	178 g	2.94 kg	20 ... 20.2	6	45	35	15
CG.AR.M25S.BN.C.16.K01	M25	225 g	293 g	25 ... 25.2	6	35	25	1
CG.AR.M25S.BN.C.16.K10	M25	225 g	2.48 kg	25 ... 25.2	6	35	25	10
CG.AR.M25.BN.C.16.K01	M25	233 g	303 g	25 ... 25.2	6	45	35	1
CG.AR.M25.BN.C.16.K10	M25	233 g	2.56 kg	25 ... 25.2	6	45	35	10
CG.AR.M25L.BN.C.16.K01	M25	243 g	443 g	25 ... 25.2	6	55	30	1
CG.AR.M25L.BN.C.16.K10	M25	243 g	2.67 kg	25 ... 25.2	6	55	30	10
CG.AR.M32.BN.C.16.K01	M32	400 g	472 g	32 ... 32.3	6	55	30	1
CG.AR.M32.BN.C.16.K10	M32	400 g	4.4 kg	32 ... 32.3	6	55	30	10
CG.AR.M32L.BN.C.16.K01	M32	370 g	481 g	32 ... 32.3	6	75	55	1
CG.AR.M32L.BN.C.16.K10	M32	370 g	4.07 kg	32 ... 32.3	6	75	55	10
CG.AR.M40.BN.C.16.K01	M40	644 g	837 g	40 ... 40.3	12	85	65	1
CG.AR.M40.BN.C.16.K05	M40	644 g	3.54 kg	40 ... 40.3	12	85	65	5
CG.AR.M50.BN.C.16.K01	M50	715 g	930 g	50 ... 50.3	18	95	75	1
CG.AR.M50.BN.C.16.K02	M50	715 g	1.57 kg	50 ... 50.3	18	95	75	2
CG.AR.M63.BN.C.20.K01	M63	1.82 kg	2.36 kg	63 ... 63.3	25	105	85	1
CG.AR.M63.BN.C.20.K02	M63	1.82 kg	4 kg	63 ... 63.3	25	105	85	2

*Knn: scope of delivery see table technical data

Dimensions Metric - Stainless Steel

Type	Thread size	Clamping range [mm]		Armor thickness [mm]		Dimensions [mm]							UL
	TD	D	D1	min.	max.	H	L	TL	D2	SW1	SW2	SW3	
CG.AR.M16.SS.C.16.*	M16	6 ... 11	8 ... 15	0.4	1.3	63.5	79.5	16	27	25	25	25	-
CG.AR.M20.SS.C.16.*	M20	6 ... 11	8 ... 15	0.4	1.3	63.5	79.5	16	27	25	25	25	X
CG.AR.M20L.SS.C.16.*	M20	10 ... 15.5	13.5 ... 21	0.4	1.3	66.5	82.5	16	33	30	30	30	X
CG.AR.M25S.SS.C.16.*	M25	6 ... 11	8 ... 15	0.4	1.3	63.5	79	16	33	30	25	25	X
CG.AR.M25.SS.C.16.*	M25	10 ... 15.5	13.5 ... 21	0.4	1.3	66	82	16	33	30	30	30	X
CG.AR.M25L.SS.C.16.*	M25	13.5 ... 20.5	18 ... 27	0.4	1.6	82.5	98.5	16	44.5	40	40	40	X
CG.AR.M32.SS.C.16.*	M32	13.5 ... 21	18 ... 27	0.4	1.6	82.5	98.5	16	44.5	40	40	40	X
CG.AR.M32L.SS.C.16.*	M32	18 ... 27	23 ... 33	0.4	1.6	85	101	16	47	43	43	43	X
CG.AR.M40.SS.C.16.*	M40	23 ... 33	29 ... 40	0.6	2	97	113	16	55.5	50	50	50	X
CG.AR.M50.SS.C.16.*	M50	29 ... 41	35 ... 48	0.6	2.5	105.5	121.5	16	64	58	58	58	X
CG.AR.M63.SS.C.20.*	M63	35 ... 48	42 ... 56	0.6	2.5	134	154	20	83	75	75	75	X

UL: X = UL approved

Details and Accessories Metric - Stainless Steel

Type	Thread size	Mass approx.		Diameter thru-hole [mm]	Nut torques [Nm]			Delivery quantity
	TD	Component	Packaging unit	DT	SW1	SW2	SW3	
CG.AR.M16.SS.C.16.K01	M16	134 g	174 g	16 ... 16.2	4	35	25	1
CG.AR.M16.SS.C.16.K15	M16	134 g	2.21 kg	16 ... 16.2	4	35	25	15
CG.AR.M20.SS.C.16.K01	M20	121 g	178 g	20 ... 20.2	6	35	25	1
CG.AR.M20.SS.C.16.K15	M20	121 g	2 kg	20 ... 20.2	6	35	25	15
CG.AR.M20L.SS.C.16.K01	M20	170 g	221 g	20 ... 20.2	6	45	35	1
CG.AR.M20L.SS.C.16.K15	M20	170 g	2.81 kg	20 ... 20.2	6	45	35	15
CG.AR.M25S.SS.C.16.K01	M25	230 g	299 g	25 ... 25.2	6	35	25	1
CG.AR.M25S.SS.C.16.K10	M25	230 g	2.53 kg	25 ... 25.2	6	35	25	10
CG.AR.M25.SS.C.16.K01	M25	234 g	304 g	25 ... 25.2	6	45	35	1
CG.AR.M25.SS.C.16.K10	M25	234 g	2.57 kg	25 ... 25.2	6	45	35	10
CG.AR.M25L.SS.C.16.K01	M25	356 g	442 g	25 ... 25.2	6	55	30	1
CG.AR.M25L.SS.C.16.K10	M25	356 g	3.92 kg	25 ... 25.2	6	55	30	10
CG.AR.M32.SS.C.16.K01	M32	410 g	533 g	32 ... 32.3	6	55	30	1
CG.AR.M32.SS.C.16.K10	M32	410 g	4.51 kg	32 ... 32.3	6	55	30	10
CG.AR.M32L.SS.C.16.K01	M32	400 g	520 g	32 ... 32.3	6	75	55	1
CG.AR.M32L.SS.C.16.K10	M32	400 g	4.4 kg	32 ... 32.3	6	75	55	10
CG.AR.M40.SS.C.16.K01	M40	640 g	832 g	40 ... 40.3	12	85	65	1
CG.AR.M40.SS.C.16.K10	M40	640 g	7.04 kg	40 ... 40.3	12	85	65	10
CG.AR.M50.SS.C.16.K01	M50	715 g	930 g	50 ... 50.3	18	95	75	1
CG.AR.M50.SS.C.16.K02	M50	715 g	1.57 kg	50 ... 50.3	18	95	75	2
CG.AR.M63.SS.C.20.K01	M63	1.96 kg	2.55 kg	63 ... 63.3	25	105	85	1
CG.AR.M63.SS.C.20.K02	M63	1.96 kg	4.32 kg	63 ... 63.3	25	105	85	2

*Knn: scope of delivery see table technical data

Dimensions NPT - Brass Nickel-plated

Type	Thread size	Clamping range [mm]		Armor thickness [mm]		Dimensions [mm]							UL
		TD	D	D1	min.	max.	H	L	TL	D2	SW1	SW2	
CG.AR.NPT3/8.BN.C.16.*	NPT 3/8"	6 ... 11	8 ... 15	0.4	1.3	63.5	79.5	16	27	25	25	25	-
CG.AR.NPT1/2.BN.C.21.*	NPT 1/2"	6 ... 11	8 ... 15	0.4	1.3	63.5	79.5	21	27	25	25	25	X
CG.AR.NPT1/2L.BN.C.21.*	NPT 1/2"	10 ... 15.5	13.5 ... 21	0.4	1.3	66	87	21	33	30	30	30	X
CG.AR.NPT3/4S.BN.C.21.*	NPT 3/4"	6 ... 11	8 ... 15	0.4	1.3	63.5	84.5	21	33	30	25	25	X
CG.AR.NPT3/4.BN.C.21.*	NPT 3/4"	10 ... 15.5	13.5 ... 21	0.4	1.3	66	87	21	33	30	30	30	X
CG.AR.NPT3/4L.BN.C.21.*	NPT 3/4"	13.5 ... 20.5	18 ... 27	0.4	1.6	82.5	103.5	21	44.5	40	40	40	X
CG.AR.NPT1.BN.C.26.*	NPT 1"	13.5 ... 21	18 ... 27	0.4	1.6	82.5	108.5	26	44.5	40	40	40	X
CG.AR.NPT1L.BN.C.26.*	NPT 1"	18 ... 27	23 ... 33	0.4	1.6	85	111	26	47	43	43	43	X
CG.AR.NPT1-1/4.BN.C.28.*	NPT 1-1/4"	23 ... 33	29 ... 40	0.6	2	97	125	28	55.5	50	50	50	X
CG.AR.NPT1-1/2.BN.C.28.*	NPT 1-1/2"	29 ... 41	35 ... 48	0.6	2.5	105.5	133.5	28	64	58	58	58	X
CG.AR.NPT2.BN.C.28.*	NPT 2"	35 ... 48	42 ... 56	0.6	2.5	134	162	28	83	75	75	75	X

UL: X = UL approved

Details and Accessories NPT - Brass Nickel-plated

Type	Thread size	Mass approx.		Diameter thru-hole [mm]	Nut torques [Nm]			Delivery quantity
		Component	Packaging unit		DT	SW1	SW2	
CG.AR.NPT3/8.BN.C.16.K01	NPT 3/8"	143 g	172 g	17.2 ... 17.4	4	35	25	1
CG.AR.NPT3/8.BN.C.16.K15	NPT 3/8"	143 g	2.36 kg	17.2 ... 17.4	4	35	25	15
CG.AR.NPT1/2.BN.C.21.K01	NPT 1/2"	151 g	177 g	21.4 ... 21.6	6	35	25	1
CG.AR.NPT1/2.BN.C.21.K15	NPT 1/2"	149 g	2.46 kg	21.4 ... 21.6	6	35	25	15
CG.AR.NPT1/2L.BN.C.21.K01	NPT 1/2"	191 g	234 g	21.4 ... 21.6	6	45	35	1
CG.AR.NPT1/2L.BN.C.21.K15	NPT 1/2"	191 g	3.15 kg	21.4 ... 21.6	6	45	35	15
CG.AR.NPT3/4S.BN.C.21.K01	NPT 3/4"	193 g	227 g	26.7 ... 26.9	6	35	25	1
CG.AR.NPT3/4S.BN.C.21.K10	NPT 3/4"	193 g	2.12 kg	26.7 ... 26.9	6	35	25	10
CG.AR.NPT3/4.BN.C.21.K01	NPT 3/4"	195 g	234 g	26.7 ... 26.9	6	45	35	1
CG.AR.NPT3/4.BN.C.21.K10	NPT 3/4"	195 g	2.15 kg	26.7 ... 26.9	6	45	35	10
CG.AR.NPT3/4L.BN.C.21.K01	NPT 3/4"	367 g	442 g	26.7 ... 26.9	6	55	30	1
CG.AR.NPT3/4L.BN.C.21.K10	NPT 3/4"	367 g	4.04 kg	26.7 ... 26.9	6	55	30	10
CG.AR.NPT1.BN.C.26.K01	NPT 1"	355 g	426 g	33.5 ... 33.7	6	55	30	1
CG.AR.NPT1.BN.C.26.K10	NPT 1"	355 g	3.91 kg	33.5 ... 33.7	6	55	30	10
CG.AR.NPT1L.BN.C.26.K01	NPT 1"	358 g	459 g	33.5 ... 33.7	6	75	55	1
CG.AR.NPT1L.BN.C.26.K10	NPT 1"	358 g	3.94 kg	33.5 ... 33.7	6	75	55	10
CG.AR.NPT1-1/4.BN.C.28.K01	NPT 1-1/4"	474 g	690 g	42.2 ... 42.4	12	85	65	1
CG.AR.NPT1-1/4.BN.C.28.K05	NPT 1-1/4"	474 g	2.61 g	42.2 ... 42.4	12	85	65	5
CG.AR.NPT1-1/2.BN.C.28.K01	NPT 1-1/2"	605 g	841 g	48.3 ... 48.5	18	95	75	1
CG.AR.NPT1-1/2.BN.C.28.K02	NPT 1-1/2"	605 g	1.33 kg	48.3 ... 48.5	18	95	75	2
CG.AR.NPT2.BN.C.28.K01	NPT 2"	705 g	846 g	60.4 ... 60.7	25	105	85	1
CG.AR.NPT2.BN.C.28.K02	NPT 2"	705 g	1.55 g	60.4 ... 60.7	25	105	85	2

*Knn: scope of delivery see table technical data

Dimensions NPT - Stainless Steel

Type	Thread size	Clamping range [mm]		Armor thickness [mm]		Dimensions [mm]							UL
		TD	D	D1	min.	max.	H	L	TL	D2	SW1	SW2	
CG.AR.NPT3/8.SS.C.16.*	NPT 3/8"	6 ... 11	8 ... 15	0.4	1.3	63.5	79.5	16	27	25	25	25	-
CG.AR.NPT1/2.SS.C.21.*	NPT 1/2"	6 ... 11	8 ... 15	0.4	1.3	63.5	79.5	21	27	25	25	25	X
CG.AR.NPT1/2L.SS.C.21.*	NPT 1/2"	10 ... 15.5	13.5 ... 21	0.4	1.3	66	87	21	33	30	30	30	X
CG.AR.NPT3/4S.SS.C.21.*	NPT 3/4"	6 ... 11	8 ... 15	0.4	1.3	63.5	84.5	21	33	30	25	25	X
CG.AR.NPT3/4.SS.C.21.*	NPT 3/4"	10 ... 15.5	13.5 ... 21	0.4	1.3	66	87	21	33	30	30	30	X
CG.AR.NPT3/4L.SS.C.21.*	NPT 3/4"	13.5 ... 20.5	18 ... 27	0.4	1.6	82.5	103.5	21	44.5	40	40	40	X
CG.AR.NPT1.SS.C.26.*	NPT 1"	13.5 ... 21	18 ... 27	0.4	1.6	82.5	108.5	26	44.5	40	40	40	X
CG.AR.NPT1L.SS.C.26.*	NPT 1"	18 ... 27	23 ... 33	0.4	1.6	85	111	26	47	43	43	43	X
CG.AR.NPT1-1/4.SS.C.28.*	NPT 1-1/4"	23 ... 33	29 ... 40	0.6	2	97	125	28	55.5	50	50	50	X
CG.AR.NPT1-1/2.SS.C.28.*	NPT 1-1/2"	29 ... 41	35 ... 48	0.6	2.5	105.5	133.5	28	64	58	58	58	X
CG.AR.NPT2.SS.C.28.*	NPT 2"	35 ... 48	42 ... 56	0.6	2.5	134	162	28	83	75	75	75	X

UL: X = UL approved

Details and Accessories NPT - Stainless Steel

Type	Thread size	Mass approx.		Diameter thru-hole [mm]	Nut torques [Nm]			Delivery quantity
		Component	Packaging unit		DT	SW1	SW2	
CG.AR.NPT3/8.SS.C.16.K01	NPT 3/8"	144 g	173 g	17.2 ... 17.4	4	35	25	1
CG.AR.NPT3/8.SS.C.16.K15	NPT 3/8"	144 g	2.38 kg	17.2 ... 17.4	4	35	25	15
CG.AR.NPT1/2.SS.C.21.K01	NPT 1/2"	141 g	169 g	21.4 ... 21.6	6	35	25	1
CG.AR.NPT1/2.SS.C.21.K15	NPT 1/2"	141 g	2.33 kg	21.4 ... 21.6	6	35	25	15
CG.AR.NPT1/2L.SS.C.21.K01	NPT 1/2"	192 g	230 g	21.4 ... 21.6	6	45	35	1
CG.AR.NPT1/2L.SS.C.21.K15	NPT 1/2"	192 g	3.17 kg	21.4 ... 21.6	6	45	35	15
CG.AR.NPT3/4S.SS.C.21.K01	NPT 3/4"	235 g	282 g	26.7 ... 26.9	6	35	25	1
CG.AR.NPT3/4S.SS.C.21.K10	NPT 3/4"	235 g	2.59 kg	26.7 ... 26.9	6	35	25	10
CG.AR.NPT3/4.SS.C.21.K01	NPT 3/4"	231 g	277 g	26.7 ... 26.9	6	45	35	1
CG.AR.NPT3/4.SS.C.21.K10	NPT 3/4"	231 g	2.54 kg	26.7 ... 26.9	6	45	35	10
CG.AR.NPT3/4L.SS.C.21.K01	NPT 3/4"	225 g	270 g	26.7 ... 26.9	6	55	30	1
CG.AR.NPT3/4L.SS.C.21.K10	NPT 3/4"	225 g	2.48 kg	26.7 ... 26.9	6	55	30	10
CG.AR.NPT1.SS.C.26.K01	NPT 1"	464 g	557 g	33.5 ... 33.7	6	55	30	1
CG.AR.NPT1.SS.C.26.K10	NPT 1"	464 g	5.1 kg	33.5 ... 33.7	6	55	30	10
CG.AR.NPT1L.SS.C.26.K01	NPT 1"	433 g	520 g	33.5 ... 33.7	6	75	55	1
CG.AR.NPT1L.SS.C.26.K10	NPT 1"	433 g	4.76 kg	33.5 ... 33.7	6	75	55	10
CG.AR.NPT1-1/4.SS.C.28.K01	NPT 1-1/4"	633 g	760 g	42.2 ... 42.4	12	85	65	1
CG.AR.NPT1-1/4.SS.C.28.K05	NPT 1-1/4"	633 g	3.48 kg	42.2 ... 42.4	12	85	65	5
CG.AR.NPT1-1/2.SS.C.28.K01	NPT 1-1/2"	722 g	866 g	48.3 ... 48.5	18	95	75	1
CG.AR.NPT1-1/2.SS.C.28.K02	NPT 1-1/2"	722 g	1.59 kg	48.3 ... 48.5	18	95	75	2
CG.AR.NPT2.SS.C.28.K01	NPT 2"	1.96 kg	2.35 kg	60.4 ... 60.7	25	105	85	1
CG.AR.NPT2.SS.C.28.K02	NPT 2"	1.96 kg	4.32 kg	60.4 ... 60.7	25	105	85	2

*Knn: scope of delivery see table technical data