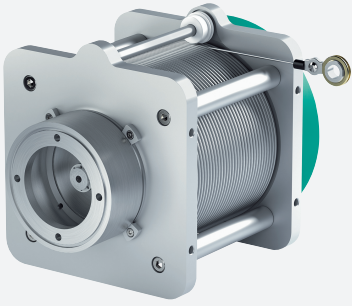


Cable pull ECN40HD-*



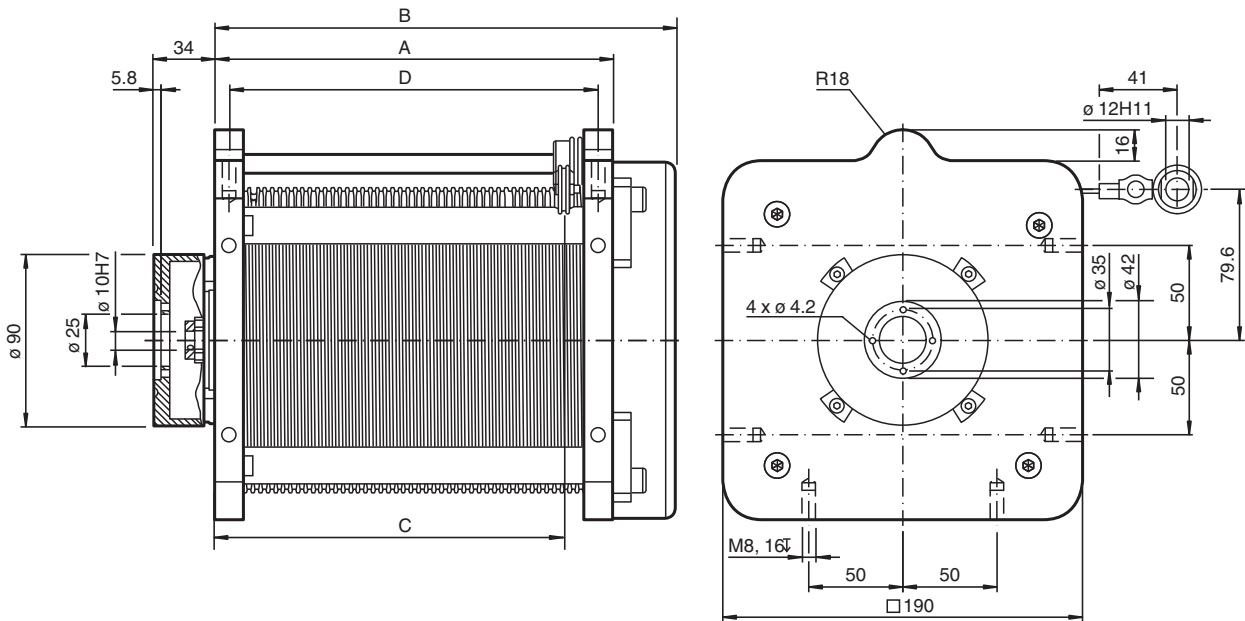
- Open cable pull system
- Up to 20 m of measuring cable
- Measuring cable diameter of 2 mm
- Drum with grooving (Lebus spooling) to increase service life and accuracy
- Ball joint as standard cable attachment point allows the attachment point to move with various degrees of freedom and prevents the measuring cable from kinking

Cable pull

Function

Cable pull for use in harsh ambient conditions.

Dimensions



Technical Data

General specifications

Device type	Heavy duty
Measuring range	5000 ... 20000 mm
Drum perimeter	500 mm
Construction type	190 mm
Ambient conditions	
Ambient temperature	-30 ... 70 °C (-22 ... 158 °F)

Release date: 2022-12-12 Date of issue: 2022-12-12 Filename: t175242_eng.pdf

Technical Data

Mechanical specifications

Rope diameter		2 mm
Tension force at rope		22 ... 37 N
Retraction speed		4 m/s
Degree of protection		IP65
Material		
Housing		anodized aluminum
Spring housing		lacquer-coated aluminum
Rope		Stainless steel 1.4401/316, plastic sheathing
Life span		up to 10 ⁶ Cycles

General information

Scope of delivery		Shaft coupling for attaching a rotary encoder , Mounting clips , bolts for mounting the adapter and a rotary encoder , Sealing elements (various seals for mounting a rotary encoder) , Hexagon socket wrench, 1.3 AF
-------------------	--	---

Dimensions

Variable sizes

Technical Data	Design 190			
Measuring length (in m)	05	10	15	20
Repeatability (max. in mm)	0.5	1	1.5	2
Hysteresis (max. in mm)	2	4	5	6
Weight in kg	5	5.5	6	7.5
Dimensions (in mm)				
A	90	130	170	210
B	123	163	203	243
C	64	104	144	184
D	75	115	155	195

Type Code

Model Number

E	C	N	4	0	H	D	-			C	N	A	-	X	4	:	N	N
---	---	---	---	---	---	---	---	--	--	---	---	---	---	---	---	---	---	---

Length of measuring cable

05 5 m

10 10 m

15 15 m

20 20 m