



6500 Series control unit mounting brackets

6500-01-*BKT01

- Mounting brackets for 6500 external or internal mounting
- Mounting hardware included
- 316 Stainless steel material
- Universal external mount for top, bottom, side mounting
- Easy mounting bracket to most flat panels for internal mounting

Type Ex px purge and pressurization system

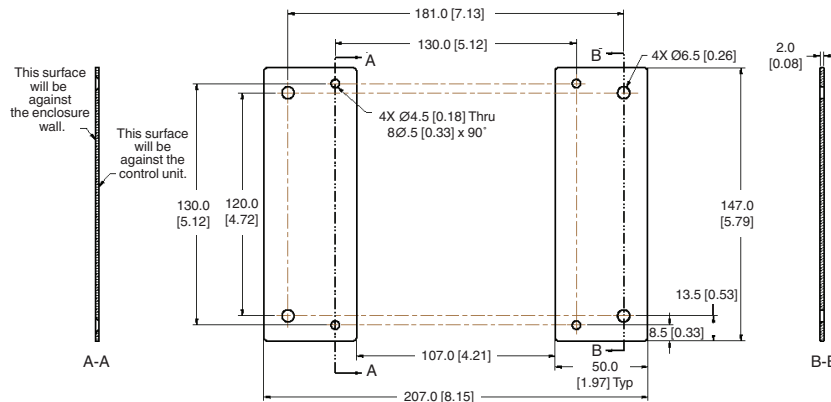


Function

To be used with the 6500 control unit for easy external or internal mounting to the pressurized enclosure. Includes mounting bracket to secure the 6500 control unit to the enclosure, as well as the necessary mounting equipment. The 6500-01-EXT1-*BKT01 is for mounting the 6500 to the enclosure externally. The 6500-01-INT1-BKT01 is for mounting the 6500 inside the enclosure or to a flat panel.

Dimensions

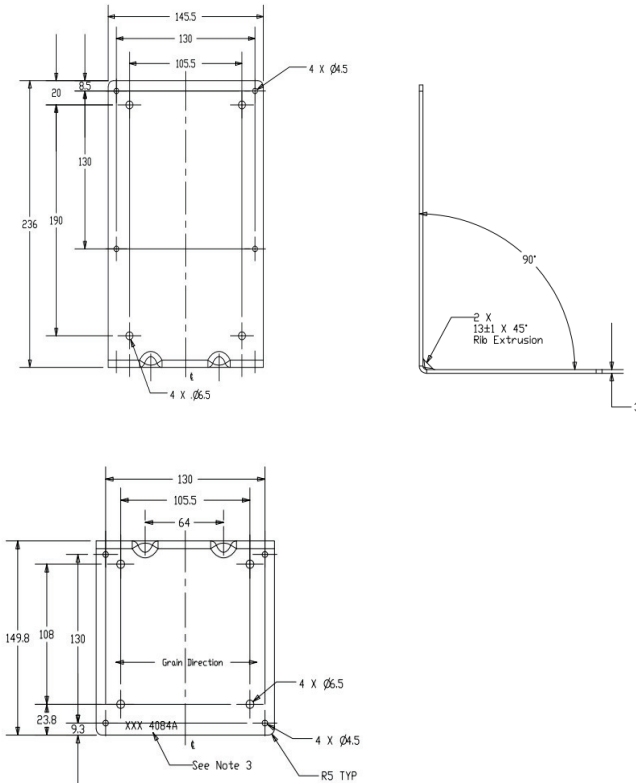
6500-01-INT1-BKT01



Release date: 2025-06-18 Date of issue: 2025-06-18 Filename: t180358_eng.pdf

Dimensions

6500-01-EXT1-BKT01

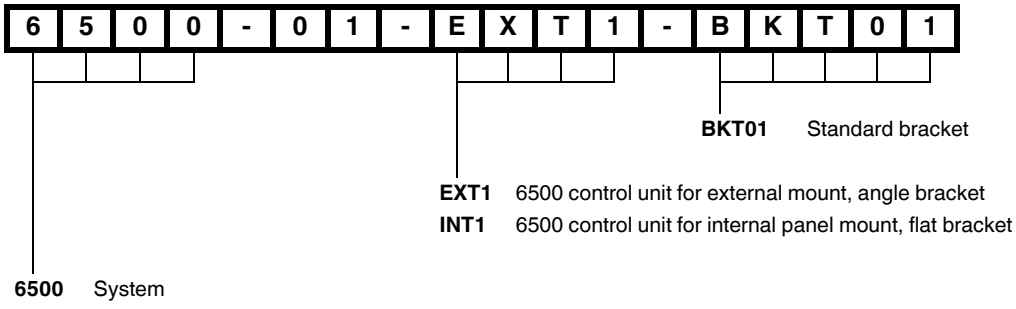


Technical Data

General specifications	
Operating mode	For mounting 6500 control unit to enclosure or back panel
Series	6500
System	Ex pxb Purge , Ex pyb Purge
Mechanical specifications	
Material	Bracket: 316/316L stainless steel Mounting bolts (bracket to enclosure): (4) M6, 316 stainless steel (included) Sealing washers: (4) silicon rubber (included) Mounting bolts (EPCU to bracket): (1) M4x0.7, 316 stainless steel (included)
Mass	6500-01-EXT1-BKT01: 1.8 kg 6500-01-INT1-BKT01: 2 kg
Dimensions	see dimension drawing
General information	
Scope of delivery	Two (2) brackets included for each 6500-01-INT1-BKT01. Mounting hardware also included.

Release date: 2025-06-18 Date of issue: 2025-06-18 Filename: t180358_eng.pdf

Type Code



Release date: 2025-06-18 Date of issue: 2025-06-18 Filename: t180358_eng.pdf