

Features

- 21.5 inch Full HD display
- Enclosure and mounting options for the GXP display unit
- Ideally positioned cable glands for all necessary connections
- 304 stainless steel constructions

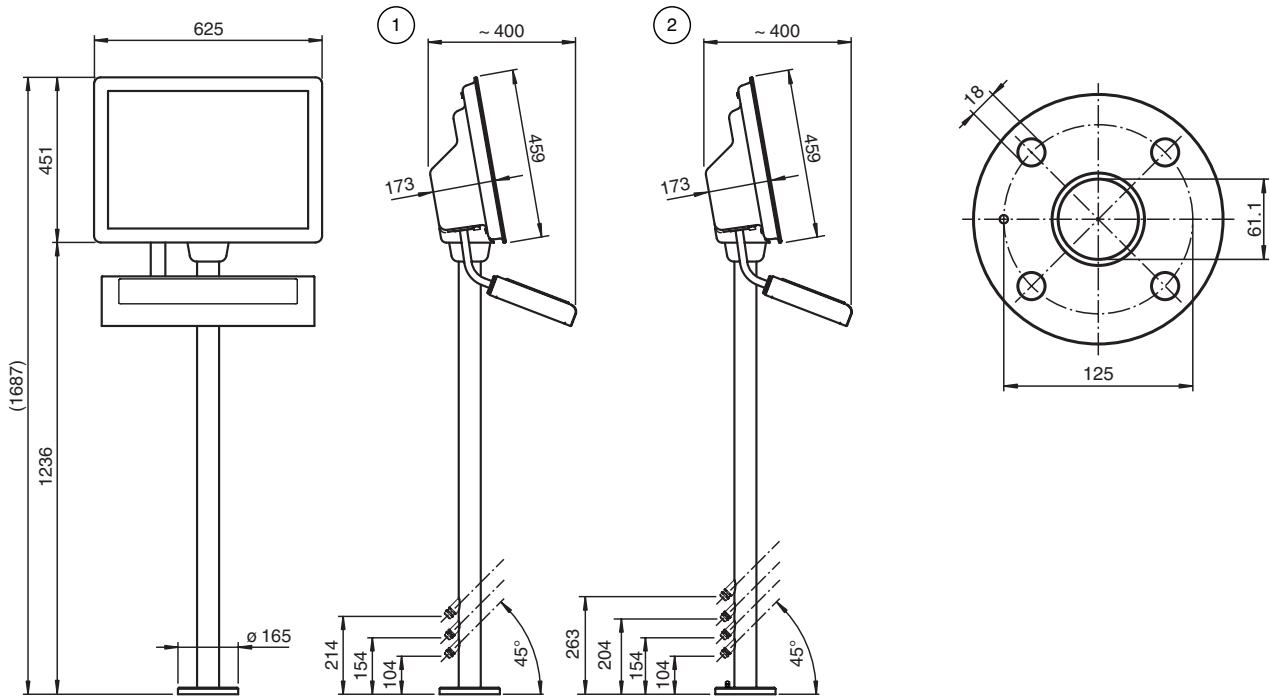
Application

Various mounting options are available for VisuNet GXP operator workstations, including direct wall mounting bracket, stainless steel enclosure, and rotating pedestal.



Ordering Information

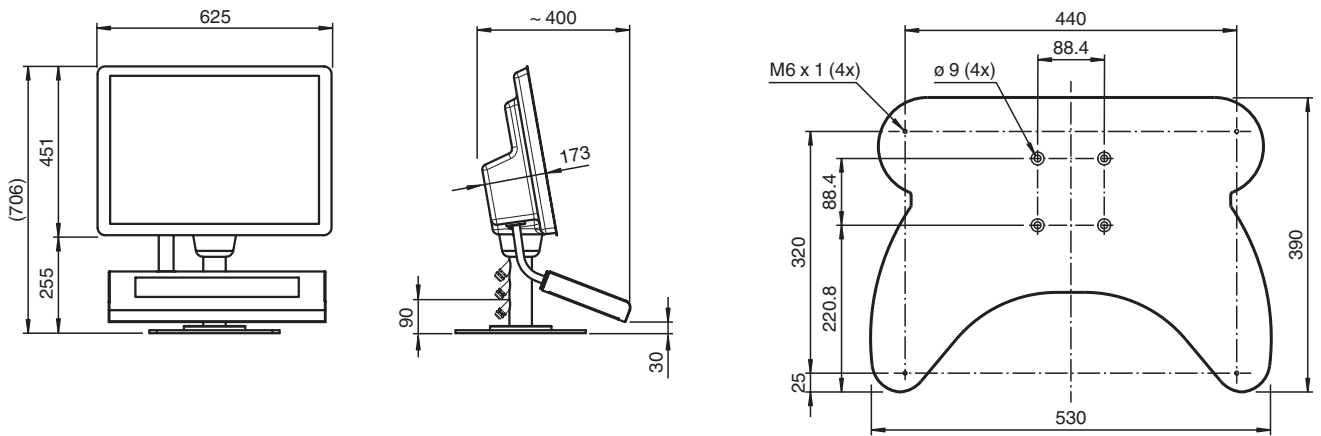
Pedestal



	Order Code	Specification	Part Number
1	PEDESTAL-XX00-124-3-304-TRN-N0	<ul style="list-style-type: none"> • Swivel pedestal, floor mount • Compatible with housing AG-XX00-* • Height: approx. 124 cm • Cable glands: 1 x M20, 2 x M16 (at bottom) • Material: Stainless steel AISI 304 (1.4301) • Angle of rotation: 300° • Incl. swivel housing coupling 	548003
2	PEDESTAL-XX00-124-4-304-TRN-N0	<ul style="list-style-type: none"> • Swivel pedestal, floor mount • Compatible with housing AG-XX00-* • Height: approx. 124 cm • Cable glands: 1 x M20, 3 x M16 (at bottom) • Material: Stainless steel AISI 304 (1.4301) • Angle of rotation: 300° • Incl. swivel housing coupling 	548306

ase date 2019-06-28 14:59 Date of issue 2019-06-28 t183344_eng.xml

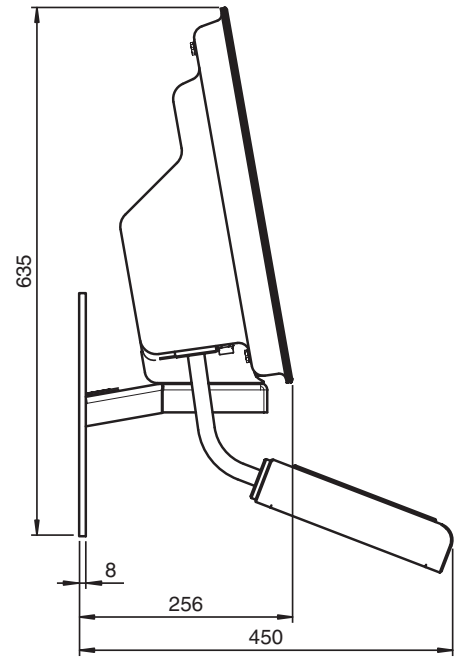
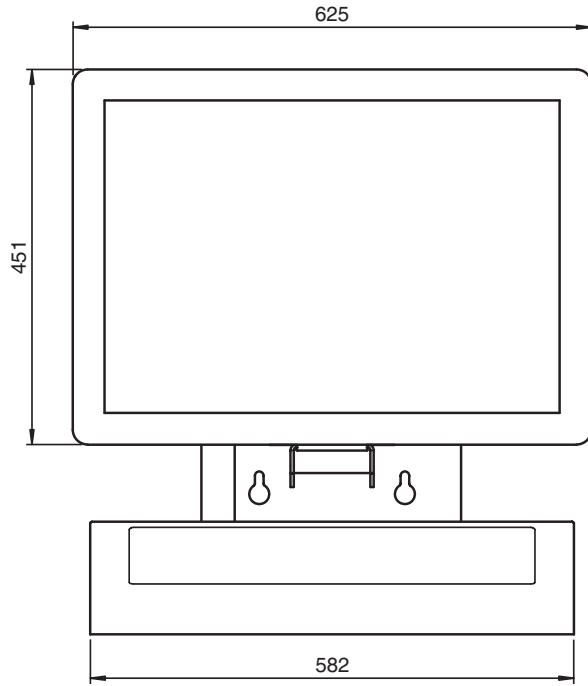
Pedestal



	Order Code	Specification	Part Number
1	PEDESTAL-XX00-49-3-304-TRN-Y1	<ul style="list-style-type: none"> • Pedestal, table mount, turnable • Compatible with housing AG-XX00-* • Height: approx. 26 cm • Cable glands: 1x M20, 2x M16 (at bottom) • Material: Stainless steel AISI 304 (1.4301) • Angle of rotation: 300° • Incl. housing coupling, turnable 	304820

ase date 2019-06-28 14:59 Date of issue 2019-06-28 t183344_eng.xml

Wall Mounting Option

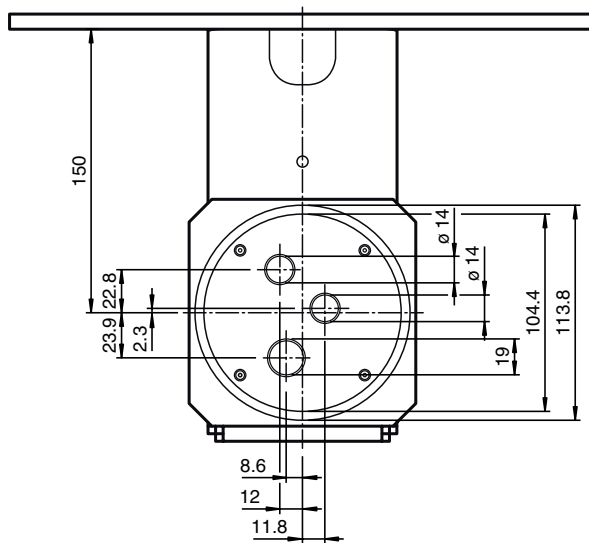
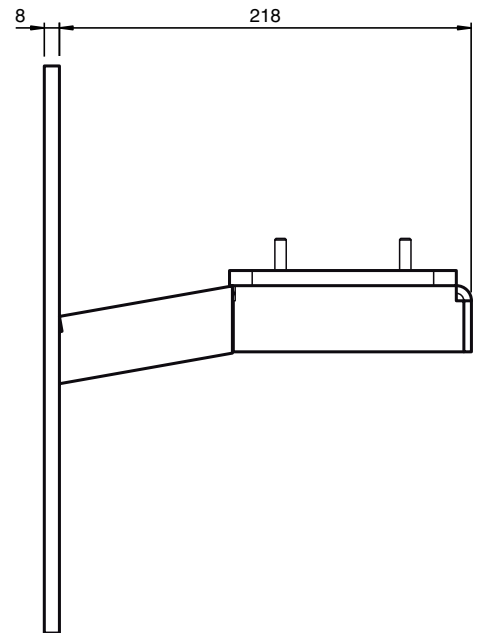
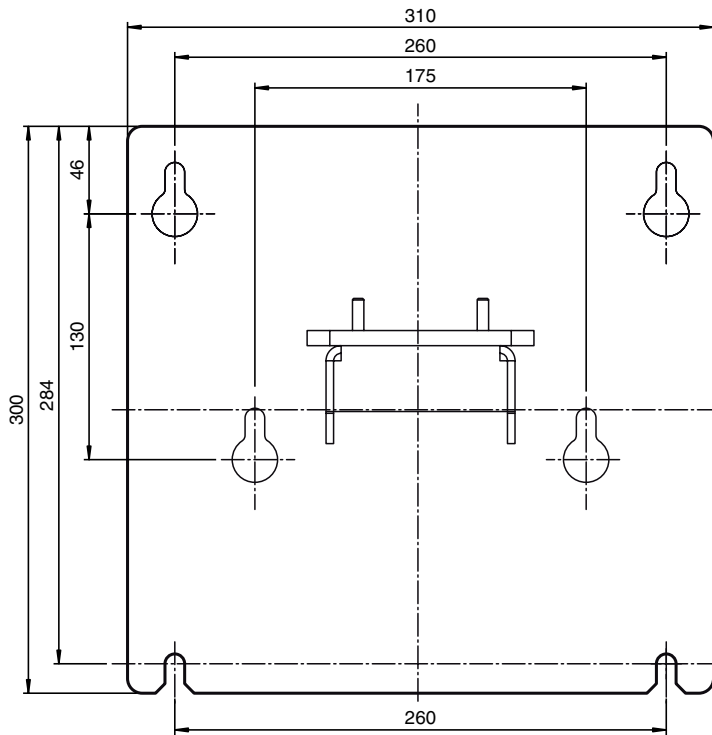


	Order Code	Specification	Part Number
1	WALL-BRACKET-XX00-3-304-N0	<ul style="list-style-type: none"> • Adapter for direct wall mounting • Compatible with housing AG-XX00 • Cable glands: 1x M20, 2x M16 (at bottom) • Material: stainless steel AISI 304 (1.4301) 	548071

ase date 2019-06-28 14:59 Date of issue 2019-06-28 t183344_eng.xml

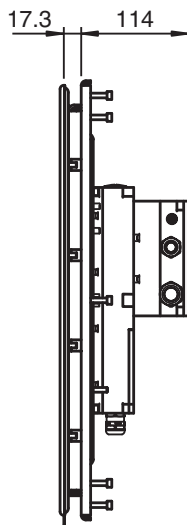
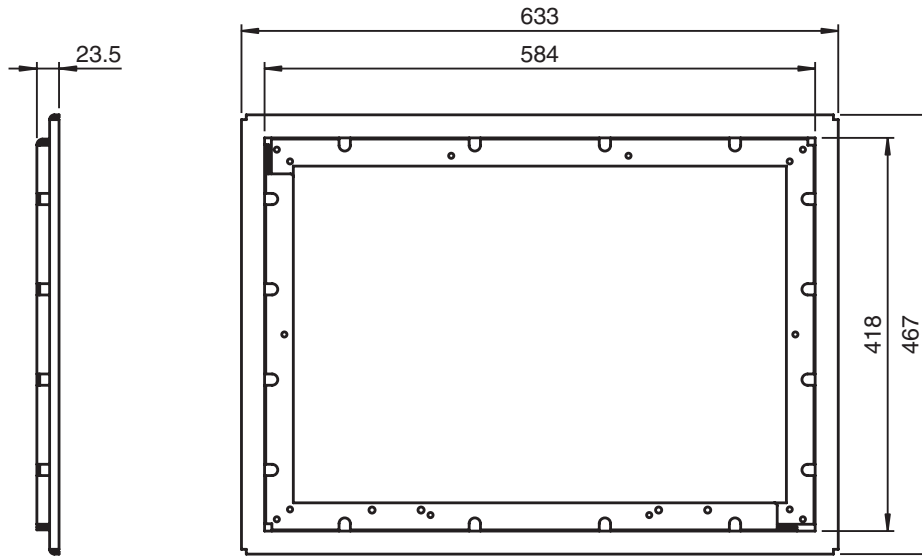
Hole Pattern

Wall Mount



ase date 2019-06-28 14:59 Date of issue 2019-06-28 t183344_eng.xml

Panel-Mounting Kit



ase date 2019-06-28 14:59 Date of issue 2019-06-28 1183344_eng.xml

	Order Code	Specification	Part Number
1	KIT-PM-XX00-22FF-304-N0	<ul style="list-style-type: none"> • Kit for Panel Mounting • Compatible with 21,5" display unit (option 22F) • Material: Stainless steel AISI 304 (1.4301), brushed • Incl. mounting screws 	548004