

Features

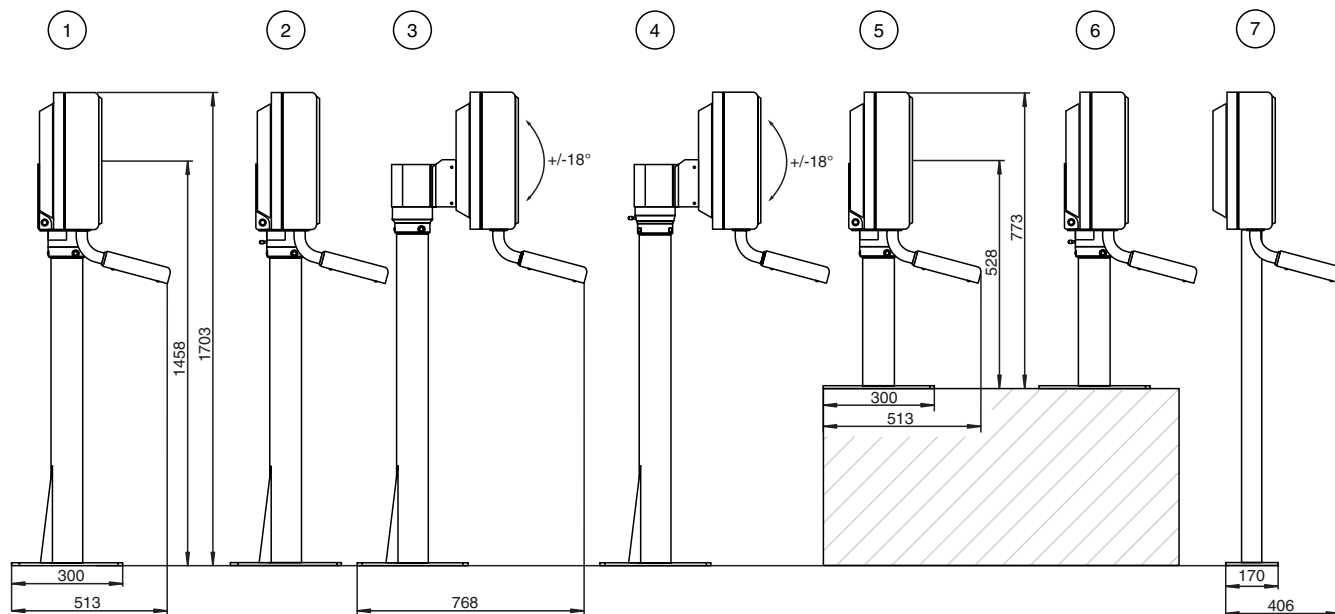
- Designed to hold 19-inch VisuNet GXP units
- Ready for mounting VisuNet enclosures
- Ideally positioned cable glands for all necessary connections
- A variety of pedestals, arms, and brackets for wall, floor, and ceiling mounting



Mechanical specifications	
Height	pedestal 528 ... 1458 mm
Cable entry	pedestal : 1 x M20, 1 x M25 cable gland wall/ceiling mount : 1 x M16, 1 x M20 cable gland
Material	Stainless steel
Mass	approx. 13 kg

Ordering information

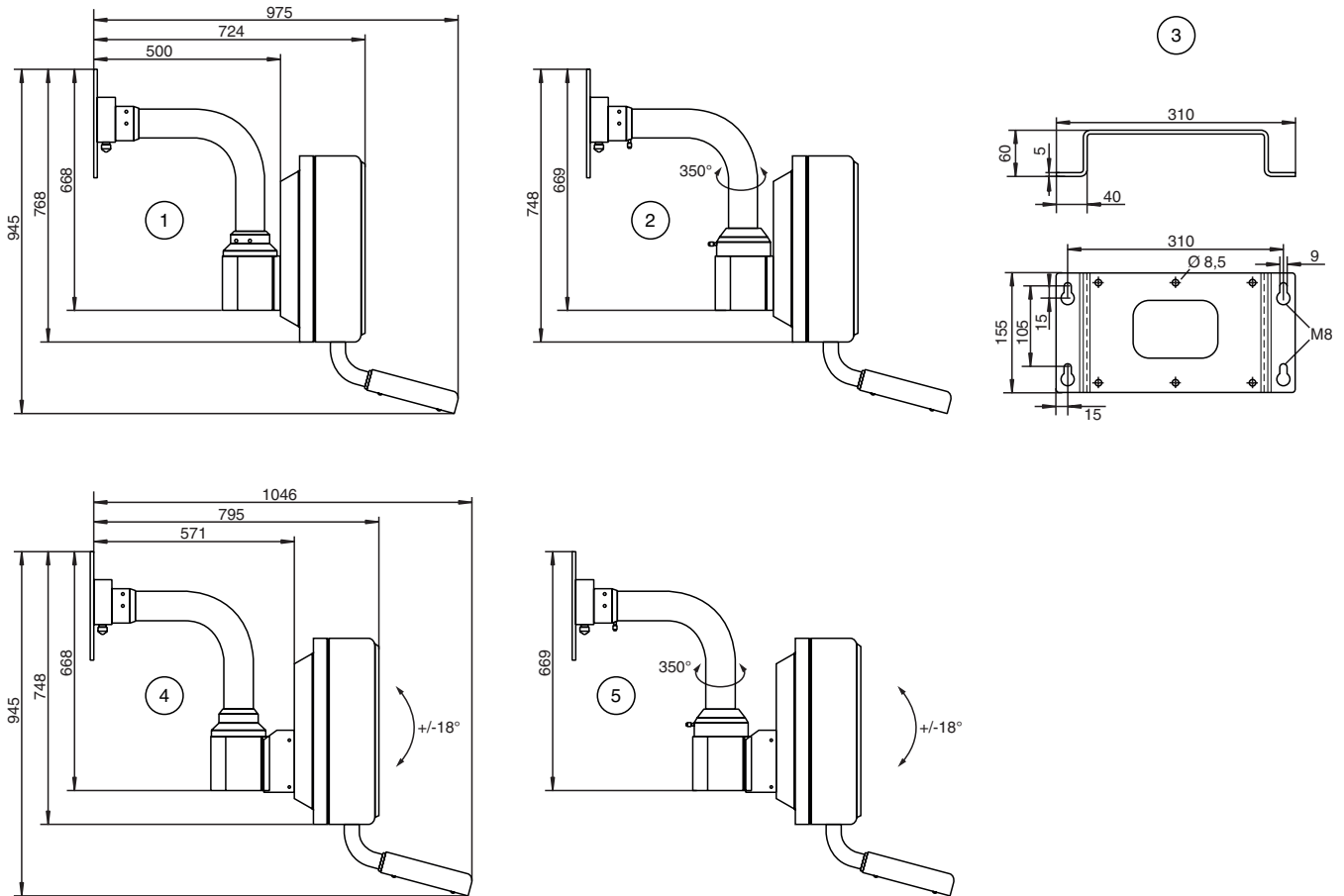
StandardLine / BasicLine Pedestals



	Order Code	Specification	Part Number
StandardLine			
1	PEDESTAL5-1458-FIX	<ul style="list-style-type: none"> Fixed pedestal "StandardLine" Height 1458 mm, Ø 115 mm With M20, M25 cable gland, M20 stopping plug Stainless Steel 304/1.4301 	198769
2	PEDESTAL5-1458-TURN	<ul style="list-style-type: none"> Swivel-head pedestal "StandardLine" (approx. 350°) Height 1458 mm, Ø 115 mm With M20, M25 cable glands, M20 stopping plug Stainless Steel 304/1.4301 	198770
3	PEDESTAL5-1458-TILT	<ul style="list-style-type: none"> Tilting-head pedestal "StandardLine" (+/- 18°) Height 1458 mm, Ø 115 mm With M20, M25 cable glands, M20 stopping plug Stainless Steel 304/1.4301 	198771
4	PEDESTAL5-1458-TURN-TILT	<ul style="list-style-type: none"> Turn-tilt pedestal "StandardLine" (ca. 350°, +/-18°) Height 1458 mm, Ø 115 mm With M20, M25 cable glands, M20 stopping plug Stainless Steel 304/1.4301 	198772
5	PEDESTAL5-0528-FIX-Y	<ul style="list-style-type: none"> Fixed pedestal "StandardLine", short version Height 528 mm, Ø 115 mm With M20, M25 cable glands, M20 stopping plug Stainless Steel 304/1.4301 	203537
6	PEDESTAL5-0528-TURN	<ul style="list-style-type: none"> Swivel-head pedestal "StandardLine" (ca. 350°), short version Height 528 mm, Ø 115 mm With M20, M25 cable glands, M20 stopping plug Stainless Steel 304/1.4301 	227265
BasicLine			
7	PEDESTAL5-1458-FIX-BL	<ul style="list-style-type: none"> Fixed pedestal "BasicLine" Height 1458 mm, Ø 100 mm With M20, M25 cable glands, M20 stopping plug Edelstahl 304/1.4301 	242087

ase date 2018-12-21 14:50 Date of issue 2018-12-21 t188010_eng.xml

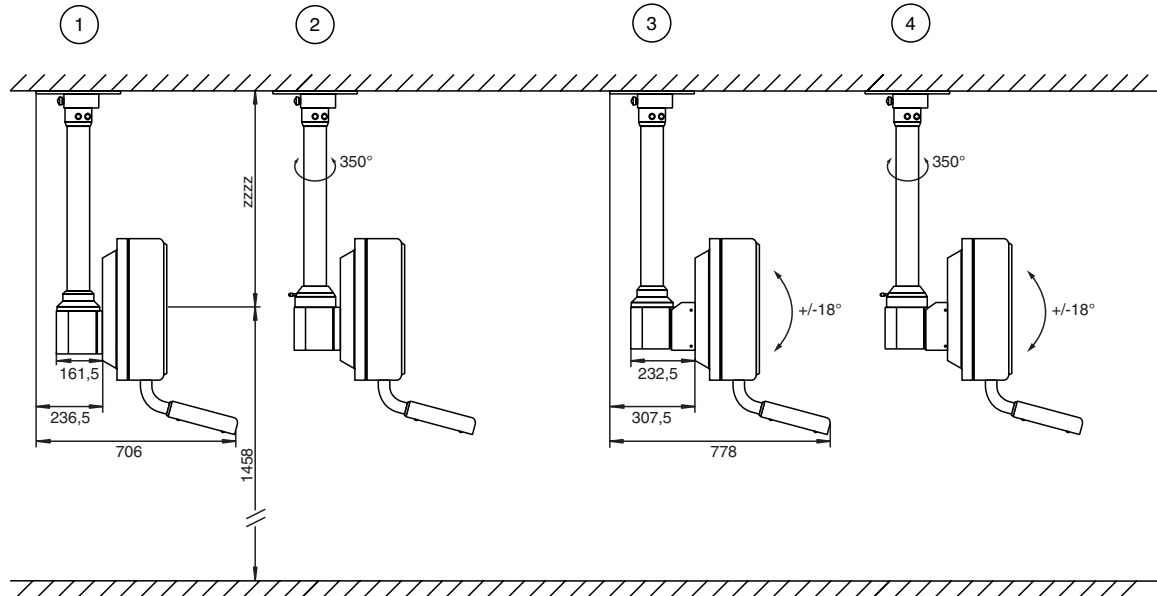
StandardLine Wall Mounting Options



Order Code	Specification	Part Number
1 SUPPORT-ARM5-350-350-FIX	<ul style="list-style-type: none"> Fixed wall mount, Ø 80 mm xxx-yyyy = horiz.-vertical [mm] xxx: Min/Max 350/650 mm yyy: Min/Max 350/1000 mm With M16, M20 cable glands Stainless Steel 304/1.4301 	198777
2 SUPPORT-ARM5-350-350-TURN	<ul style="list-style-type: none"> Swivel-head wall mount (ca. 350°), Ø 80 mm xxx-yyyy = horiz.-vertical [mm] xxx: Min/Max 350/650 mm yyy: Min/Max 350/1000 mm With M16, M20 cable glands Stainless Steel 304/1.4301 	203401
3 WALL-BRACKET5	<ul style="list-style-type: none"> Wall bracket 	198768
4 SUPPORT-ARM5-350-350-TILT	<ul style="list-style-type: none"> Tilting-head wall mount (+/-18°), Ø 80 mm xxx-yyyy = horiz.-vertical [mm] xxx: Min/Max 350/650 mm yyy: Min/Max 350/1000 mm With M16, M20 cable glands Stainless Steel 304/1.4301 	198779
5 SUPPORT-ARM5-350-350-TURN-TILT	<ul style="list-style-type: none"> Turn-tilt wall mount (ca. 350°, +/-18°), Ø 80 mm xxx-yyyy = horiz.-vertical [mm] xxx: Min/Max 350/650 mm yyy: Min/Max 350/1000 mm With M16, M20 cable glands Stainless Steel 304/1.4301 	203402

ase date 2018-12-21 14:50 Date of issue 2018-12-21 t188010_eng.xml

StandardLine Ceiling Mounting Options



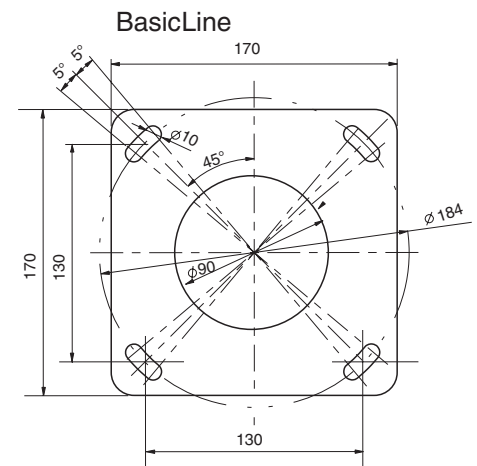
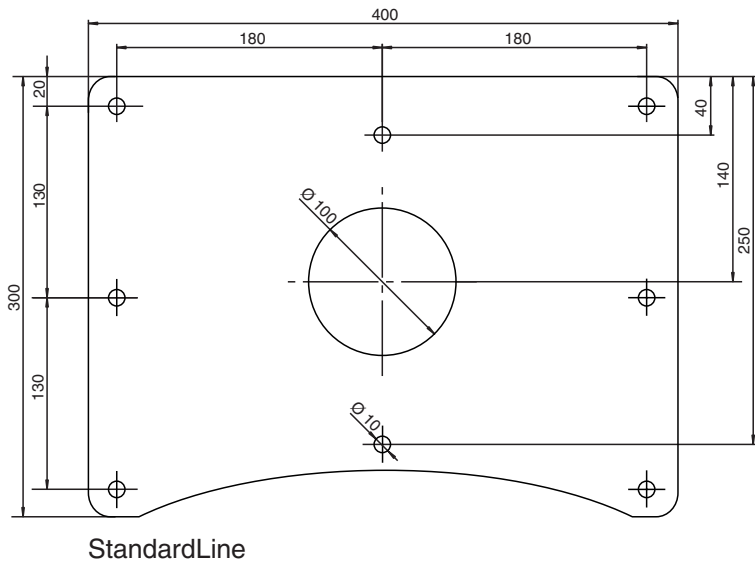
	Order Code	Specification	Part Number
1	CEILING5-ZZZZ ^a -FIX	<ul style="list-style-type: none"> Fixed ceiling mount, Ø 80 mm With M16, M20 cable glands Stainless Steel 304/1.4301 	198773
2	CEILING5-ZZZZ ^a -TURN	<ul style="list-style-type: none"> Swivel-head ceiling mount (ca. 350°), Ø 80 mm With M16, M20 cable glands Stainless Steel 304/1.4301 	198774
3	CEILING5-ZZZZ ^a -TILT	<ul style="list-style-type: none"> Tilting-head ceiling mount (+/-18°), Ø 80 mm With M16, M20 cable glands Stainless Steel 304/1.4301 	198775
4	CEILING5-ZZZZ ^a -TURN-TILT	<ul style="list-style-type: none"> Turn-tilt ceiling mount (ca. 350°, +/-18°) With M16, M20 cable glands Stainless Steel 304/1.4301 	198776

a. Determination of "zzzz": ceiling height - 1458 mm
 Example "Fixed ceiling mount with ceiling height of 3 m": 3000 mm - 1458 mm = 1542 mm, order code "Ceiling5-1542-FIX"

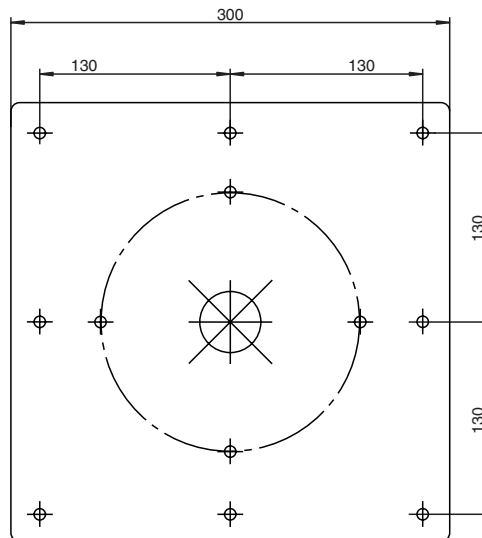
ase date 2018-12-21 14:50 Date of issue 2018-12-21 t188010_eng.xml

Hole Pattern

StandardLine / BasicLine Pedestals



StandardLineWall/Ceiling Mount



ase date 2018-12-21 14:50 Date of issue 2018-12-21 t188010_eng.xml