



## Fiber Optic Multi-Mode Breakout Cable

### DATL-FO-MM-\*

- Military-grade fiber optic multi-mode cable for easy connectivity of Pepperl+Fuchs thin client / PC units
- Available with duplex LC to LC or LC to SC connectors

## Fiber Optic Multi-Mode Breakout Cable

### Function

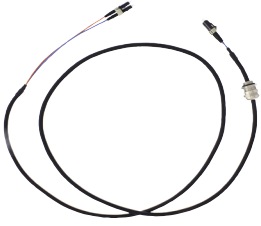

DATL-FO-MM-\* cables allow plug-and-play fiber optic network connectivity to Pepperl+Fuchs thin client/PC units, even in hazardous locations. The military-grade cables ensure full IP66 protection of the connection opening. The cable ends consist of an Ex e rated M16 cable gland and a duplex LC to duplex LC/SC connector.

### Technical Data

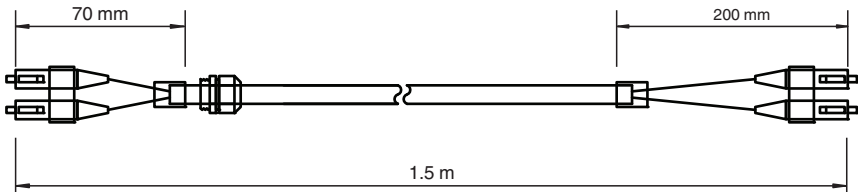
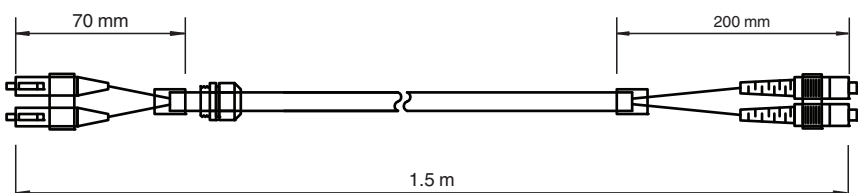
#### Mechanical specifications

Connection	duplex LC to duplex LC or duplex LC to duplex SC
Material	multi-mode fiber optic , OM2 , 50/125 µm
Cable length	1.5 m

**Ordering Information**

Part Number	Model Number	Description	Product Photo
548313	DATL-FO-MM-LC-LC-15	Military-grade fiber optic breakout cable for use with TCU/PCU1X00 <ul style="list-style-type: none"> <li>• Duplex LC to duplex LC</li> <li>• 1 x M16 cable gland</li> <li>• Multi-mode, 50/125 μm, OM2</li> <li>• Cable length: 1.5 m</li> <li>• includes LC-LC coupling</li> </ul>	
548311	DATL-FO-MM-LC-SC-15	Military-grade fiber optic breakout cable for use with TCU/PCU1X00 <ul style="list-style-type: none"> <li>• Duplex LC to duplex SC</li> <li>• 1 x M16 cable gland</li> <li>• Multi-mode, 50/125 μm, OM2</li> <li>• Cable length: 1.5 m</li> <li>• includes SC-SC coupling</li> </ul>	

**Dimensions**

DATL-FO-MM-LC-LC-15	
DATL-FO-MM-LC-SC-15	

Release date: 2020-07-21 Date of issue: 2020-07-21 Filename: t188805\_eng.pdf