



Breather Drain, Metal BDRV*

- Brass nickel-plated or stainless steel
- Ex eb and Ex tb certified
- Metric and NPT versions available
- Suitable for operation in Zone 1, Zone 2, Zone 21 and Zone 22
- Degree of protection IP66



Function

The breather drains BDRV* enable pressure compensation between enclosures and surrounding atmosphere, thereby minimizing moisture build-up caused by temperature fluctuation and humid environments. Furthermore, they effectively drain any condensed water present within the device.

Several product variants for hazardous areas are available. A castellated locknut for installation is included.

Technical Data

Mechanical specifications

Thread type	metric ISO pitch 1.5 mm or NPT ANSI ASME B1.20.1
Thread size (TD)	see data table
Degree of protection	IP66
Material	
Finish	inherent color silver
Breather drain	brass nickel-plated or AISI 316L (1.4404) stainless steel
Washer gasket	aramid fibers bonded with NBR
O-Ring	silicone
Mass	see data table
Dimensions	see data table

Ambient conditions

Ambient temperature	-60 ... 85 °C (-76 ... 185 °F) washer gasket: -50 ... 80 °C (-58 ... 176 °F)
---------------------	---------------------------------------------------------------------------------

Data for application in connection with hazardous areas

EU-type examination certificate	IMQ 13 ATEX 030X
Marking	⊕ II 2 GD Ex eb IIC Gb Ex tb IIIC Db

International approvals

UL approval	
cULus	E350312 tested to UL 508A E350312 tested to CSA C22.2
IECEx approval	IECEx IMQ 14.0003X
UKCA approval	CML 21 UKEX 3475X

Conformity

Degree of protection	EN 60529
CE marking	0722

General information

Release date: 2024-06-26 Date of issue: 2024-06-26 Filename: t1189788_eng.pdf

Technical Data

Scope of delivery	K01 - metric variants, individual component: Breather Drain , washer gasket , locknut , Brief instructions K01 - NPT variants, individual component: Breather Drain , locknut , Brief instructions Knn - packing unit with multiple components: Breather Drain , Locknuts , Brief instructions (1 copy)
Supplementary information	EC-Type Examination Certificate, Statement of Conformity, Declaration of Conformity, Attestation of Conformity and instructions have to be observed where applicable. For information see www.pepperl-fuchs.com .

Type Code

1	2	3	4	5	6		
BDRV	-	*	*	**	*	.	K**
BDRV	-	1	M	BN	S	.	K01

Example: BDRV-1MBNS.K01

Example: Breather drain metal, with castellated locknut, thread size M20, body brass nickel-plated, O-ring silicone, one piece

1	Series
BDRV	breather drains

2	Size
n	see data table

3	Thread, type and size
M	metric ISO pitch 1.5; sizes see dimensions data table
N	NPT ANSI ASME B1.20.1; sizes see dimensions data table

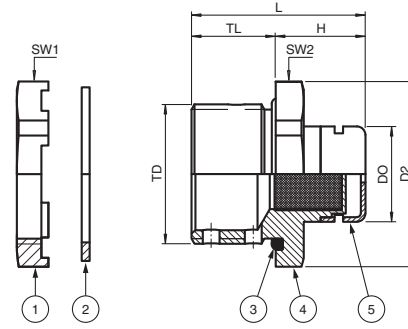
4	Material
BN	brass nickel-plated
X	stainless steel

5	Material seals / O-Ring
S	silicone

6	Packaging unit
	units not packaged, for use in Pepperl+Fuchs Solution Engineering Centers
K**	units quantity per package

Dimensions

Legende	
1	Castellated locknut
2	Washer gasket (accessory, metric threads only)
3	O-Ring (metric threads only)
4	Breather drain
5	Ventilation cap
D2	Width across corners
DO	Outer diameter
H	Length outside enclosure
L	Total length
SW*	Width across flats
TD	Thread size
TL	Thread length



Dimensions Brass Nickel-plated

Type	Thread size	Dimensions [mm]							Mass approx.		Nut torques [Nm]		Delivery quantity
		TD	H	L	TL	DO	D2	SW1	SW2	Component	Packaging unit	SW1	
BDRV-1MBNS.K01	M20	16	31	15	17	27.5	25	25	57 g	65 g	2	2	1
BDRV-1MBNS.K35	M20	16	31	15	17	27.5	25	25	57 g	2.19 kg	2	2	35
BDRV-1NBN.K01	NPT 1/2"	16	32	16	17	27.5	25	25	52 g	62 g	2	2	1
BDRV-1NBN.K35	NPT 1/2"	16	32	16	17	27.5	25	25	52 g	2 kg	2	2	35
BDRV-2NBN.K01	NPT 3/4"	16	32	16	17	33	30	30	57 g	67 g	4	4	1
BDRV-2NBN.K35	NPT 3/4"	16	32	16	17	33	30	30	57 g	2.19 kg	4	4	35

Dimensions Stainless Steel

Type	Thread size	Dimensions [mm]							Mass approx.		Nut torques [Nm]		Delivery quantity
		TD	H	L	TL	DO	D2	SW1	SW2	Component	Packaging unit	SW1	
BDRV-1MXS.K01	M20	16	31	15	17	27.5	25	25	55 g	63 g	2	2	1
BDRV-1MXS.K35	M20	16	31	15	17	27.5	25	25	55 g	2.12 kg	2	2	35
BDRV-1NX.K01	NPT 1/2"	16	32	16	17	27.5	25	25	51 g	61 g	2	2	1
BDRV-1NX.K35	NPT 1/2"	16	32	16	17	27.5	25	25	51 g	1.96 kg	2	2	35
BDRV-2NX.K01	NPT 3/4"	16	32	16	17	33	30	30	56 g	66 g	4	4	1
BDRV-2NX.K35	NPT 3/4"	16	32	16	17	33	30	30	56 g	2.16 kg	4	4	35

*Knn: scope of delivery see table technical data

Release date: 2024-06-26 Date of issue: 2024-06-26 Filename: t1189788_eng.pdf