



# Cable Glands, Metal, Barrier Glands for armored Cables

CG.BA.\*.\*.\*

- For armored cables
- Barrier gland
- Brass nickel-plated or stainless steel
- Ex db, Ex eb and Ex tb certified
- Suitable for operation in Zone 1, Zone 2, Zone 21 and Zone 22
- Metric and NPT versions available
- Seal silicone
- Compound must be ordered separately
- USA usage prohibited!



## Function

The metal cable glands type CG.BA are suitable for indoor and outdoor applications in Zone 1, Zone 2, Zone 21 and Zone 22 hazardous areas. They are intended for use with armored cables. A two-part system sealing compound provides a reliable protection against explosion transmission through the cables. Typical armors which can be clamped are steel wire armor (SWA), steel wire braided (SWB), steel tape armor (STA), pliable wire armor (PWA) and aluminum wire armor.

## Technical Data

### Mechanical specifications

Cable type	armored cables
Clamping range (D)	see data table
Thread type	metric ISO pitch 1.5 mm or NPT ANSI ASME B1.20.1
Thread size (TD)	see data table
Degree of protection	IP66 / IP68
Material	
Finish	inherent color silver
Cable gland	brass nickel-plated or AISI 316 (1.4401) stainless steel
O-Ring	silicone
Seal insert	silicone
Casting compound	
Description	EP 2122 Epoxy Putty Compound must be ordered separately
Part number	70101827
Mass	60 g
Required amount per cable gland	see single datasheet
Packaging units per delivery quantity cable glands	see single datasheet
Cable glands per packaging unit casting compound	see single datasheet
Mass	see single datasheet
Dimensions	see single datasheet
<b>Ambient conditions</b>	
Ambient temperature	-60 ... 100 °C (-76 ... 212 °F)
<b>Data for application in connection with hazardous areas</b>	
EU-type examination certificate	CESI 18 ATEX 037X

Release date: 2025-06-10 Date of issue: 2025-06-10 Filename: t190578\_eng.pdf

## Technical Data

Marking	⊕ II 2 GD Ex db IIC Gb Ex eb IIC Gb Ex tb IIC Db
<b>International approvals</b>	
IECEX approval	IECEX CES 18.0030X
UKCA approval	CML 22 UKEX 1268X
CCC approval	2021312313000454
<b>Conformity</b>	
Degree of protection	EN 60529
CE marking	0102
<b>General information</b>	
Scope of delivery	K01 - individual component: Cable gland , pair of gloves , Brief instructions Knn - packing unit with multiple components: Cable glands , pair of gloves , Brief instructions (1 copy)
Supplementary information	EC-Type Examination Certificate, Statement of Conformity, Declaration of Conformity, Attestation of Conformity and instructions have to be observed where applicable. For information see <a href="http://www.pepperl-fuchs.com">www.pepperl-fuchs.com</a> .

## Type Code

1	2	3	4	5	6	7
CG	BA	***	**	*	**	K**
CG	BA	M20	BN	S	16	K01

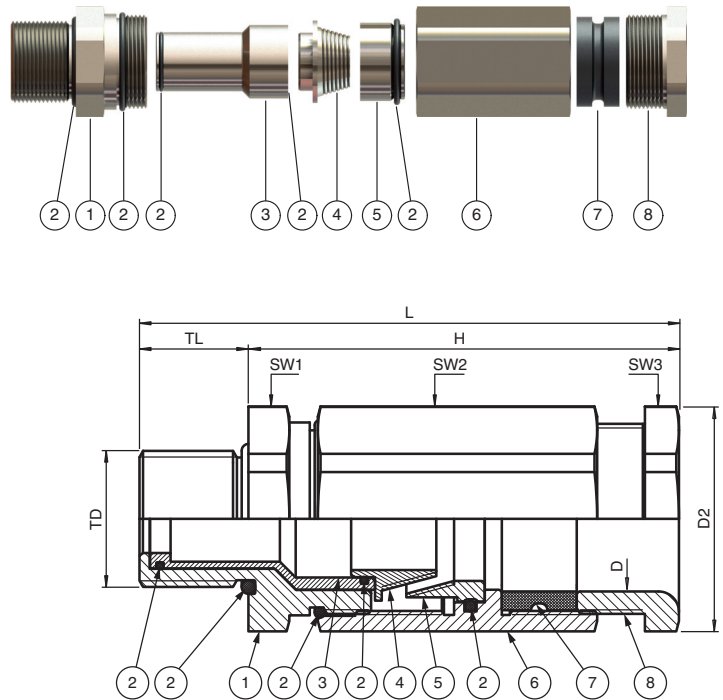
Example: CG.BA.M20.BN.C.16.K01

Barrier gland metal, for armored cables, thread size M20, body brass nickel-plated, silicone seals for -60 °C ... 100 °C, installation thread length 16 mm, one piece

<b>1</b>	<b>Series</b>
CG	cable glands
<b>2</b>	<b>Type</b>
BA	metal barrier glands for armored cables
<b>3</b>	<b>Thread, type and size</b>
M*	metric ISO pitch 1.5; sizes see dimensions data table
NPT*	NPT ANSI ASME B1.20.1; sizes see dimensions data table
<b>4</b>	<b>Material</b>
BN	brass nickel-plated
SS	stainless steel
<b>5</b>	<b>Material seals / O-Ring</b>
S	silicone
<b>6</b>	<b>Thread length for installation in enclosure</b>
**	length in mm
<b>7</b>	<b>Packaging unit</b>
	units not packaged, for use in Pepperl+Fuchs Solution Engineering Centers
K**	units quantity per package

**Dimensions**

Legend	
1	Gland body basis
2	O-Ring
3	Barrier tube
4	Armor cone
5	Armor tightening ring
6	Gland body
7	Seal insert
8	Pressure nut
D	Clamping range, cable sheath diameter
D2	Width across corners
H	Length outside enclosure
L	Total length
SW*	Width across flats
TD	Thread size
TL	Thread length
Barrier Details in data table	
CQ	Max. number of cores
DS	Core cross-section, single-core cable
DM	Core cross-section, multi-core cable
CC	Max. total core cross-section area



**Dimensions Metric - Brass Nickel-plated**

Type	Thread size	Clamping range [mm]	Armor thickness [mm]		Braiding thickness [mm]		Dimensions [mm]						
			min.	max.	min.	max.	H	L	TL	D2	SW1	SW2	SW3
CG.BA.M20S.BN.S.16.*	M20	6 ... 13	0.8	1.25	0.3	0.8	61.5	77.5	16	27	25	25	25
CG.BA.M20.BN.S.16.*	M20	8 ... 15	0.8	1.25	0.3	0.8	61.5	77.5	16	27	25	25	25
CG.BA.M20L.BN.S.16.*	M20	13.5 ... 21	0.8	1.25	0.3	0.8	63.2	79.2	16	33	30	30	30
CG.BA.M25S.BN.S.16.*	M25	8 ... 15	0.9	1.25	0.3	0.9	61.5	77.5	16	33	30	25	25
CG.BA.M25.BN.S.16.*	M25	13.5 ... 21	0.8	1.25	0.3	0.8	63.2	79.2	16	33	30	30	30
CG.BA.M25L.BN.S.16.*	M25	18 ... 27	0.9	1.6	0.3	0.9	70.5	86.5	16	44.5	40	40	40
CG.BA.M32.BN.S.16.*	M32	18 ... 27	0.9	1.6	0.3	0.9	70.5	86.5	16	44.5	40	40	40
CG.BA.M32L.BN.S.16.*	M32	23 ... 33	0.9	1.6	0.3	0.9	72.3	88.3	16	47	43	43	43
CG.BA.M40S.BN.S.16.*	M40	23 ... 33	0.9	1.6	0.3	0.9	72.3	88.3	16	50	45	43	43
CG.BA.M40.BN.S.16.*	M40	29 ... 40	1	2	0.4	1	80.5	96.5	16	55.5	50	50	50
CG.BA.M50S.BN.S.16.*	M50	29 ... 40	1	2	0.4	1	80.5	96.5	16	61	55	50	50
CG.BA.M50.BN.S.16.*	M50	35 ... 48	1	2.5	0.4	1	88.3	104.3	16	64	58	58	58
CG.BA.M63S.BN.S.20.*	M63	35 ... 48	1	2.5	0.4	1	88.3	104.3	16	64	58	58	58
CG.BA.M63.BN.S.20.*	M63	42 ... 56	1	2.5	0.4	1	117.7	137.7	20	83	75	75	75
CG.BA.M75S.BN.S.20.*	M75	42 ... 56	1	2.5	0.4	1	117.7	137.7	20	89	80	75	75
CG.BA.M75.BN.S.20.*	M75	54 ... 70	1	3.2	0.6	1	124.1	144.1	20	110.5	100	100	100

Release date: 2025-06-10 Date of issue: 2025-06-10 Filename: t190578\_eng.pdf

## Details and Accessories Metric - Brass Nickel-plated

Type	Thread size	Mass approx.		Barrier details				Nut torques [Nm]			Delivery quantity
	TD	Component	Packaging unit	CQ max. qty.	DS [mm]	DM [mm]	CC max. [mm <sup>2</sup> ]	SW 1	SW 2	SW 3	
CG.BA.M20S.BN.S.16.K01	M20	156 g	258 g	9	1.5 ... 9.5	1.5 ... 9.5	70.9	60	60	30	1
CG.BA.M20S.BN.S.16.K15	M20	201 g	4.82 kg	9	1.5 ... 9.5	1.5 ... 9.5	70.9	60	60	30	15
CG.BA.M20.BN.S.16.K01	M20	176 g	233 g	9	1.5 ... 9.5	1.5 ... 9.5	70.9	60	60	25	1
CG.BA.M20.BN.S.16.K15	M20	176 g	3.45 kg	9	1.5 ... 9.5	1.5 ... 9.5	70.9	60	60	25	15
CG.BA.M20L.BN.S.16.K01	M20	226 g	284 g	9	1.5 ... 9.5	1.5 ... 9.5	70.9	60	60	35	1
CG.BA.M20L.BN.S.16.K15	M20	226 g	4.2 kg	9	1.5 ... 9.5	1.5 ... 9.5	70.9	60	60	35	15
CG.BA.M25S.BN.S.16.K01	M25	213 g	270 g	9	1.5 ... 9.5	1.5 ... 9.5	70.9	65	60	25	1
CG.BA.M25S.BN.S.16.K10	M25	213 g	2.75 kg	9	1.5 ... 9.5	1.5 ... 9.5	70.9	65	60	25	10
CG.BA.M25.BN.S.16.K01	M25	250 g	307 g	9	1.5 ... 9.5	1.5 ... 9.5	70.9	65	65	35	1
CG.BA.M25.BN.S.16.K10	M25	250 g	3.12 kg	9	1.5 ... 9.5	1.5 ... 9.5	70.9	65	65	35	10
CG.BA.M25L.BN.S.16.K01	M25	431 g	488 g	22	1.5 ... 15	1.5 ... 15	176.7	65	65	30	1
CG.BA.M25L.BN.S.16.K10	M25	431 g	4.93 kg	22	1.5 ... 15	1.5 ... 15	176.7	65	65	30	10
CG.BA.M32.BN.S.16.K01	M32	473 g	530 g	22	1.5 ... 15	1.5 ... 15	176.7	70	70	30	1
CG.BA.M32.BN.S.16.K10	M32	473 g	5.35 kg	22	1.5 ... 15	1.5 ... 15	176.7	70	70	30	10
CG.BA.M32L.BN.S.16.K01	M32	438 g	520 g	36	1.5 ... 21.5	1.5 ... 21.5	363.1	70	70	55	1
CG.BA.M32L.BN.S.16.K10	M32	438 g	5.25 kg	36	1.5 ... 21.5	1.5 ... 21.5	363.1	70	70	55	10
CG.BA.M40S.BN.S.16.K01	M40	507 g	594 g	36	1.5 ... 21.5	1.5 ... 21.5	363.1	80	70	55	1
CG.BA.M40S.BN.S.16.K05	M40	507 g	3.09 kg	36	1.5 ... 21.5	1.5 ... 21.5	363.1	80	70	55	5
CG.BA.M40.BN.S.16.K01	M40	574 g	586 g	55	1.5 ... 29	1.5 ... 29	660.5	80	80	65	1
CG.BA.M40.BN.S.16.K05	M40	574 g	3.55 kg	55	1.5 ... 29	1.5 ... 29	660.5	80	80	65	5
CG.BA.M50S.BN.S.16.K01	M50	693 g	805 g	55	1.5 ... 29	1.5 ... 29	660.5	90	80	65	1
CG.BA.M50S.BN.S.16.K02	M50	693 g	1.81 kg	55	1.5 ... 29	1.5 ... 29	660.5	90	80	65	2
CG.BA.M50.BN.S.16.K01	M50	754 g	891 g	75	1.5 ... 37	1.5 ... 37	1075.2	90	90	75	1
CG.BA.M50.BN.S.16.K02	M50	754 g	1.98 kg	75	1.5 ... 37	1.5 ... 37	1075.2	90	90	75	2
CG.BA.M63S.BN.S.20.K01	M63	1.03 kg	1.17 kg	75	1.5 ... 37	1.5 ... 37	1075.2	110	90	75	1
CG.BA.M63S.BN.S.20.K02	M63	1.03 kg	2.54 kg	75	1.5 ... 37	1.5 ... 37	1075.2	110	90	75	2
CG.BA.M63.BN.S.20.K01	M63	2.03 kg	2.29 kg	99	1.5 ... 46	1.5 ... 46	1661.9	110	110	85	1
CG.BA.M63.BN.S.20.K02	M63	2.03 kg	4.78 kg	99	1.5 ... 46	1.5 ... 46	1661.9	110	110	85	2
CG.BA.M75S.BN.S.20.K01	M75	2.3 kg	2.57 kg	99	1.5 ... 46	1.5 ... 46	1661.9	110	110	85	1
CG.BA.M75S.BN.S.20.K02	M75	2.3 kg	5.33 kg	99	1.5 ... 46	1.5 ... 46	1661.9	110	110	85	2
CG.BA.M75.BN.S.20.K01	M75	3.76 kg	4.09 kg	129	1.5 ... 58	1.5 ... 58	2642.1	120	120	150	1
CG.BA.M75.BN.S.20.K02	M75	3.76 kg	8.38 kg	129	1.5 ... 58	1.5 ... 58	2642.1	120	120	150	2

\*Knn: scope of delivery see table technical data

## Dimensions Metric - Stainless Steel

Type	Thread size	Clamping range [mm]	Armor thickness [mm]		Braiding thickness [mm]		Dimensions [mm]						
	TD		D	min.	max.	min.	max.	H	L	TL	D2	SW1	SW2
CG.BA.M20S.SS.S.16.*	M20	6 ... 13	0.8	1.25	0.3	0.8	61.5	77.5	16	27	25	25	25
CG.BA.M20.SS.S.16.*	M20	8 ... 15	0.8	1.25	0.3	0.8	61.5	77.5	16	27	25	25	25
CG.BA.M20L.SS.S.16.*	M20	13.5 ... 21	0.8	1.25	0.3	0.8	63.2	79.2	16	33	30	30	30
CG.BA.M25S.SS.S.16.*	M25	8 ... 15	0.8	1.25	0.3	0.8	61.5	77.5	16	33	30	25	25
CG.BA.M25.SS.S.16.*	M25	13.5 ... 21	0.8	1.25	0.3	0.8	63.2	79.2	16	33	30	30	30
CG.BA.M25L.SS.S.16.*	M25	18 ... 27	0.9	1.6	0.3	0.9	70.5	86.5	16	44.5	40	40	40
CG.BA.M32.SS.S.16.*	M32	18 ... 27	0.9	1.6	0.3	0.9	70.5	86.5	16	44.5	40	40	40
CG.BA.M32L.SS.S.16.*	M32	23 ... 33	0.9	1.6	0.3	0.9	72.3	88.3	16	47	43	43	43
CG.BA.M40S.SS.S.16.*	M40	23 ... 33	0.9	1.6	0.3	0.9	72.3	88.3	16	50	45	43	43
CG.BA.M40.SS.S.16.*	M40	29 ... 40	1	2	0.4	1	80.5	96.5	16	55.5	50	50	50
CG.BA.M50S.SS.S.16.*	M50	29 ... 40	1	2	0.4	1	80.5	96.5	16	61	55	50	50
CG.BA.M50.SS.S.16.*	M50	35 ... 48	1	2.5	0.4	1	88.3	104.3	16	64	58	58	58
CG.BA.M63S.SS.S.20.*	M63	35 ... 48	1	2.5	0.4	1	88.3	104.3	16	64	75	75	75
CG.BA.M63.SS.S.20.*	M63	42 ... 56	1	2.5	0.4	1	117.7	137.7	20	83	75	75	75
CG.BA.M75S.SS.S.20.*	M75	42 ... 56	1	2.5	0.4	1	117.7	137.7	20	89	80	75	75
CG.BA.M75.SS.S.20.*	M75	54 ... 70	1	3.2	0.6	1	124.1	144.1	20	110.5	100	100	100

## Details and Accessories Metric - Stainless Steel

Type	Thread size	Mass approx.		Barrier details				Nut torques [Nm]			Delivery quantity
	TD	Component	Packaging unit	CQ max. qty.	DS [mm]	DM [mm]	CC max. [mm <sup>2</sup> ]	SW 1	SW 2	SW 3	
CG.BA.M20S.SS.S.16.K01	M20	190 g	247 g	9	1.5 ... 9.5	1.5 ... 9.5	70.9	60	60	30	1
CG.BA.M20S.SS.S.16.K15	M20	190 g	3.65 kg	9	1.5 ... 9.5	1.5 ... 9.5	70.9	60	60	30	15
CG.BA.M20.SS.S.16.K01	M20	166 g	223 g	9	1.5 ... 9.5	1.5 ... 9.5	70.9	60	60	25	1
CG.BA.M20.SS.S.16.K15	M20	166 g	3.3 kg	9	1.5 ... 9.5	1.5 ... 9.5	70.9	60	60	25	15
CG.BA.M20L.SS.S.16.K01	M20	214 g	271 g	9	1.5 ... 9.5	1.5 ... 9.5	70.9	60	60	35	1
CG.BA.M20L.SS.S.16.K15	M20	214 g	4.02 kg	9	1.5 ... 9.5	1.5 ... 9.5	70.9	60	60	35	15
CG.BA.M25S.SS.S.16.K01	M25	201 g	258 g	9	1.5 ... 9.5	1.5 ... 9.5	70.9	65	60	25	1
CG.BA.M25S.SS.S.16.K10	M25	201 g	2.63 kg	9	1.5 ... 9.5	1.5 ... 9.5	70.9	65	60	25	10
CG.BA.M25.SS.S.16.K01	M25	236 g	293 g	9	1.5 ... 9.5	1.5 ... 9.5	70.9	65	65	35	1
CG.BA.M25.SS.S.16.K10	M25	236 g	2.98 kg	9	1.5 ... 9.5	1.5 ... 9.5	70.9	65	65	35	10
CG.BA.M25L.SS.S.16.K01	M25	407 g	464 g	22	1.5 ... 15	1.5 ... 15	176.7	65	65	30	1
CG.BA.M25L.SS.S.16.K10	M25	407 g	4.69 kg	22	1.5 ... 15	1.5 ... 15	176.7	65	65	30	10
CG.BA.M32.SS.S.16.K01	M32	447 g	504 g	22	1.5 ... 15	1.5 ... 15	176.7	70	70	30	1
CG.BA.M32.SS.S.16.K10	M32	447 g	5.09 kg	22	1.5 ... 15	1.5 ... 15	176.7	70	70	30	10
CG.BA.M32L.SS.S.16.K01	M32	414 g	496 g	36	1.5 ... 21.5	1.5 ... 21.5	363.1	70	70	55	1
CG.BA.M32L.SS.S.16.K10	M32	414 g	5.01 kg	36	1.5 ... 21.5	1.5 ... 21.5	363.1	70	70	55	10
CG.BA.M40S.SS.S.16.K01	M40	479 g	566 g	36	1.5 ... 21.5	1.5 ... 21.5	363.1	80	70	55	1
CG.BA.M40S.SS.S.16.K05	M40	479 g	2.95 kg	36	1.5 ... 21.5	1.5 ... 21.5	363.1	80	70	55	5
CG.BA.M40.SS.S.16.K01	M40	542 g	654 g	55	1.5 ... 29	1.5 ... 29	660.5	80	80	65	1
CG.BA.M40.SS.S.16.K05	M40	542 g	3.39 kg	55	1.5 ... 29	1.5 ... 29	660.5	80	80	65	5
CG.BA.M50S.SS.S.16.K01	M50	655 g	767 g	55	1.5 ... 29	1.5 ... 29	660.5	90	80	65	1
CG.BA.M50S.SS.S.16.K02	M50	655 g	1.73 kg	55	1.5 ... 29	1.5 ... 29	660.5	90	80	65	2
CG.BA.M50.SS.S.16.K01	M50	712 g	849 g	75	1.5 ... 37	1.5 ... 37	1075.2	90	90	75	1
CG.BA.M50.SS.S.16.K02	M50	712 g	1.9 kg	75	1.5 ... 37	1.5 ... 37	1075.2	90	90	75	2
CG.BA.M63S.SS.S.20.K01	M63	974 g	1.11 kg	75	1.5 ... 37	1.5 ... 37	1075.2	110	90	75	1
CG.BA.M63S.SS.S.20.K02	M63	974 g	2.42 kg	75	1.5 ... 37	1.5 ... 37	1075.2	110	90	75	2
CG.BA.M63.SS.S.20.K01	M63	1.92 kg	2.18 kg	99	1.5 ... 46	1.5 ... 46	1661.9	110	110	85	1
CG.BA.M63.SS.S.20.K02	M63	1.92 kg	4.56 kg	99	1.5 ... 46	1.5 ... 46	1661.9	110	110	85	2
CG.BA.M75S.SS.S.20.K01	M75	2.18 kg	2.44 kg	99	1.5 ... 46	1.5 ... 46	1661.9	110	110	85	1
CG.BA.M75S.SS.S.20.K02	M75	2.18 kg	5.08 kg	99	1.5 ... 46	1.5 ... 46	1661.9	110	110	85	2
CG.BA.M75.SS.S.20.K01	M75	3.55 kg	3.88 kg	129	1.5 ... 58	1.5 ... 58	2642.1	120	120	150	1
CG.BA.M75.SS.S.20.K02	M75	3.55 kg	7.97 kg	129	1.5 ... 58	1.5 ... 58	2642.1	120	120	150	2

\*Knn: scope of delivery see table technical data

## Dimensions NPT - Brass Nickel-plated

Type	Thread size	Clamping range [mm]	Armor thickness [mm]		Braiding thickness [mm]		Dimensions [mm]						
	TD		D	min.	max.	min.	max.	H	L	TL	D2	SW1	SW2
CG.BA.NPT1/2S.BN.S.21.*	NPT 1/2"	6 ... 13	0.8	1.25	0.3	0.8	61.5	82.5	21	27	25	25	25
CG.BA.NPT1/2.BN.S.21.*	NPT 1/2"	8 ... 15	0.8	1.25	0.3	0.8	61.5	82.5	21	27	25	25	25
CG.BA.NPT1/2L.BN.S.21.*	NPT 1/2"	13.5 ... 21	0.8	1.25	0.3	0.8	63.2	84.2	21	33	30	30	30
CG.BA.NPT3/4S.BN.S.21.*	NPT 3/4"	8 ... 15	0.8	1.25	0.3	0.8	61.7	82.7	21	33	30	25	25
CG.BA.NPT3/4.BN.S.21.*	NPT 3/4"	13.5 ... 21	0.8	1.25	0.3	0.8	63.2	84.2	21	33	30	30	30
CG.BA.NPT3/4L.BN.S.21.*	NPT 3/4"	18 ... 27	0.9	1.6	0.3	0.9	70.5	91.5	21	44.5	40	40	40
CG.BA.NPT1.BN.S.26.*	NPT 1"	18 ... 27	0.9	1.6	0.3	0.9	70.6	96.6	26	44.5	40	40	40
CG.BA.NPT1L.BN.S.26.*	NPT 1"	23 ... 33	0.9	1.6	0.3	0.9	72.3	98.3	26	47	43	43	43
CG.BA.NPT1-1/4S.BN.S.28.*	NPT 1-1/4"	23 ... 33	0.9	1.6	0.3	0.9	72.3	100.3	28	50	45	43	43
CG.BA.NPT1-1/4.BN.S.28.*	NPT 1-1/4"	29 ... 40	1	2	0.4	1	80.5	108.5	28	55.5	50	50	50
CG.BA.NPT1-1/2.BN.S.28.*	NPT 1-1/2"	29 ... 40	1	2	0.4	1	80.5	108.5	28	61	55	50	50
CG.BA.NPT2.BN.S.28.*	NPT 2"	35 ... 48	1	2.5	0.4	1	88.5	116.3	28	72	65	58	58
CG.BA.NPT2-1/2.BN.S.41.*	NPT 2-1/2"	42 ... 56	1	2.5	0.4	1	117.9	158.9	41	89	80	75	75
CG.BA.NPT3.BN.S.43.*	NPT 3"	54 ... 70	1	3.2	0.6	1	124.1	167.1	43	110.5	100	100	100

## Details and Accessories NPT - Brass Nickel-plated

Type	Thread size	Mass approx.		Barrier details				Nut torques [Nm]			Delivery quantity
	TD	Component	Packaging unit	CQ max. qty.	DS [mm]	DM [mm]	CC max. [mm <sup>2</sup> ]	SW 1	SW 2	SW 3	
CG.BA.NPT1/2S.BN.S.21.K01	NPT 1/2"	218 g	275 g	9	1.5 ... 9.5	1.5 ... 9.5	70.9	60	60	30	1
CG.BA.NPT1/2S.BN.S.21.K15	NPT 1/2"	218 g	4.08 kg	9	1.5 ... 9.5	1.5 ... 9.5	70.9	60	60	30	15
CG.BA.NPT1/2L.BN.S.21.K01	NPT 1/2"	193 g	250 g	9	1.5 ... 9.5	1.5 ... 9.5	70.9	60	60	25	1
CG.BA.NPT1/2L.BN.S.21.K15	NPT 1/2"	193 g	3.7 kg	9	1.5 ... 9.5	1.5 ... 9.5	70.9	60	60	25	15
CG.BA.NPT1/2L.BN.S.21.K01	NPT 1/2"	242 g	299 g	9	1.5 ... 9.5	1.5 ... 9.5	70.9	60	60	35	1
CG.BA.NPT1/2L.BN.S.21.K15	NPT 1/2"	242 g	4.44 kg	9	1.5 ... 9.5	1.5 ... 9.5	70.9	60	60	35	15
CG.BA.NPT3/4S.BN.S.21.K01	NPT 3/4"	243 g	300 g	9	1.5 ... 9.5	1.5 ... 9.5	70.9	60	60	25	1
CG.BA.NPT3/4S.BN.S.21.K10	NPT 3/4"	243 g	3.05 kg	9	1.5 ... 9.5	1.5 ... 9.5	70.9	60	60	25	10
CG.BA.NPT3/4L.BN.S.21.K01	NPT 3/4"	278 g	335 g	9	1.5 ... 9.5	1.5 ... 9.5	70.9	65	65	35	1
CG.BA.NPT3/4L.BN.S.21.K10	NPT 3/4"	278 g	3.4 kg	9	1.5 ... 9.5	1.5 ... 9.5	70.9	65	65	35	10
CG.BA.NPT3/4L.BN.S.21.K01	NPT 3/4"	454 g	511 g	22	1.5 ... 15	1.5 ... 15	176.7	65	65	30	1
CG.BA.NPT3/4L.BN.S.21.K10	NPT 3/4"	454 g	5.16 kg	22	1.5 ... 15	1.5 ... 15	176.7	65	65	30	10
CG.BA.NPT1.BN.S.26.K01	NPT 1"	536 g	598 g	22	1.5 ... 15	1.5 ... 15	176.7	70	70	30	1
CG.BA.NPT1.BN.S.26.K10	NPT 1"	536 g	5.98 kg	22	1.5 ... 15	1.5 ... 15	176.7	70	70	30	10
CG.BA.NPT1L.BN.S.26.K01	NPT 1"	486 g	573 g	36	1.5 ... 21.5	1.5 ... 21.5	363.1	70	70	55	1
CG.BA.NPT1L.BN.S.26.K10	NPT 1"	486 g	5.73 kg	36	1.5 ... 21.5	1.5 ... 21.5	363.1	70	70	55	10
CG.BA.NPT1-1/4S.BN.S.28.K01	NPT 1-1/4"	622 g	709 g	36	1.5 ... 21.5	1.5 ... 21.5	363.1	70	70	55	1
CG.BA.NPT1-1/4S.BN.S.28.K05	NPT 1-1/4"	622 g	3.67 kg	36	1.5 ... 21.5	1.5 ... 21.5	363.1	70	70	55	5
CG.BA.NPT1-1/4L.BN.S.28.K01	NPT 1-1/4"	655 g	767 g	55	1.5 ... 29	1.5 ... 29	660.5	70	80	65	1
CG.BA.NPT1-1/4L.BN.S.28.K05	NPT 1-1/4"	655 g	3.96 kg	55	1.5 ... 29	1.5 ... 29	660.5	70	80	65	5
CG.BA.NPT1-1/2L.BN.S.28.K01	NPT 1-1/2"	781 g	893 g	55	1.5 ... 29	1.5 ... 29	660.5	80	80	65	1
CG.BA.NPT1-1/2L.BN.S.28.K02	NPT 1-1/2"	781 g	1.99 kg	55	1.5 ... 29	1.5 ... 29	660.5	80	80	65	2
CG.BA.NPT2.BN.S.28.K01	NPT 2"	1.08 kg	1.22 kg	75	1.5 ... 37	1.5 ... 37	1075.2	90	90	75	1
CG.BA.NPT2.BN.S.28.K02	NPT 2"	1.08 kg	2.64 kg	75	1.5 ... 37	1.5 ... 37	1075.2	90	90	75	2
CG.BA.NPT2-1/2L.BN.S.41.K01	NPT 2-1/2"	2.27 kg	2.93 kg	99	1.5 ... 46	1.5 ... 46	1661.9	110	110	85	1
CG.BA.NPT2-1/2L.BN.S.41.K02	NPT 2-1/2"	2.27 kg	6.06 kg	99	1.5 ... 46	1.5 ... 46	1661.9	110	110	85	2
CG.BA.NPT3.BN.S.43.K01	NPT 3"	4.63 kg	4.97 kg	129	1.5 ... 58	1.5 ... 58	2642.1	120	120	150	1
CG.BA.NPT3.BN.S.43.K02	NPT 3"	4.63 kg	10.14 kg	129	1.5 ... 58	1.5 ... 58	2642.1	120	120	150	2

\*Knn: scope of delivery see table technical data

## Dimensions NPT - Stainless Steel

Type	Thread size	Clamping range [mm]	Armor thickness [mm]		Braiding thickness [mm]		Dimensions [mm]						
	TD		D	min.	max.	min.	max.	H	L	TL	D2	SW1	SW2
CG.BA.NPT1/2S.SS.S.21.*	NPT 1/2"	6 ... 13	0.8	1.25	0.3	0.8	61.5	82.5	21	27	25	25	25
CG.BA.NPT1/2.SS.S.21.*	NPT 1/2"	8 ... 15	0.8	1.25	0.3	0.8	61.5	82.5	21	27	25	25	25
CG.BA.NPT1/2L.SS.S.21.*	NPT 1/2"	13.5 ... 21	0.8	1.25	0.3	0.8	63.2	84.2	21	33	30	30	30
CG.BA.NPT3/4S.SS.S.21.*	NPT 3/4"	8 ... 15	0.8	1.25	0.3	0.8	61.7	82.7	21	33	30	25	25
CG.BA.NPT3/4.SS.S.21.*	NPT 3/4"	13.5 ... 21	0.8	1.25	0.3	0.8	63.2	84.2	21	33	30	30	30
CG.BA.NPT3/4L.SS.S.21.*	NPT 3/4"	18 ... 27	0.9	1.6	0.3	0.9	70.5	91.5	21	44.5	40	40	40
CG.BA.NPT1.SS.S.26.*	NPT 1"	18 ... 27	0.9	1.6	0.3	0.9	70.6	96.6	26	44.5	40	40	40
CG.BA.NPT1L.SS.S.26.*	NPT 1"	23 ... 33	0.9	1.6	0.3	0.9	72.3	98.3	26	47	43	43	43
CG.BA.NPT1-1/4S.SS.S.28.*	NPT 1-1/4"	23 ... 33	0.9	1.6	0.3	0.9	72.3	100.3	28	50	45	43	43
CG.BA.NPT1-1/4.SS.S.28.*	NPT 1-1/4"	29 ... 40	1	2	0.4	1	80.5	108.5	28	55.5	50	50	50
CG.BA.NPT1-1/2.SS.S.28.*	NPT 1-1/2"	29 ... 40	1	2	0.4	1	80.5	108.5	28	61	55	50	50
CG.BA.NPT2.SS.S.28.*	NPT 2"	35 ... 48	1	2.5	0.4	1	88.5	116.3	28	72	65	58	58
CG.BA.NPT2-1/2.SS.S.41.*	NPT 2-1/2"	42 ... 56	1	2.5	0.4	1	117.9	158.9	41	89	80	75	75
CG.BA.NPT3.SS.S.43.*	NPT 3"	54 ... 70	1	3.2	0.6	1	124.1	167.1	43	110.5	100	100	100

## Details and Accessories NPT - Stainless Steel

Type	Thread size	Mass approx.		Barrier details				Nut torques [Nm]			Delivery quantity
	TD	Component	Packaging unit	CQ max. qty.	DS [mm]	DM [mm]	CC max. [mm <sup>2</sup> ]	SW 1	SW 2	SW 3	
CG.BA.NPT1/2S.SS.S.21.K01	NPT 1/2"	206 g	263 g	9	1.5 ... 9.5	1.5 ... 9.5	70.9	60	60	30	1
CG.BA.NPT1/2S.SS.S.21.K15	NPT 1/2"	206 g	3.9 kg	9	1.5 ... 9.5	1.5 ... 9.5	70.9	60	60	30	15
CG.BA.NPT1/2.SS.S.21.K01	NPT 1/2"	183 g	240 g	9	1.5 ... 9.5	1.5 ... 9.5	70.9	60	60	25	1
CG.BA.NPT1/2.SS.S.21.K15	NPT 1/2"	183 g	3.54 kg	9	1.5 ... 9.5	1.5 ... 9.5	70.9	60	60	25	15
CG.BA.NPT1/2L.SS.S.21.K01	NPT 1/2"	229 g	286 g	9	1.5 ... 9.5	1.5 ... 9.5	70.9	60	60	35	1
CG.BA.NPT1/2L.SS.S.21.K15	NPT 1/2"	229 g	4.24 kg	9	1.5 ... 9.5	1.5 ... 9.5	70.9	60	60	35	15
CG.BA.NPT3/4S.SS.S.21.K01	NPT 3/4"	229 g	286 g	9	1.5 ... 9.5	1.5 ... 9.5	70.9	60	60	25	1
CG.BA.NPT3/4S.SS.S.21.K10	NPT 3/4"	229 g	2.91 kg	9	1.5 ... 9.5	1.5 ... 9.5	70.9	60	60	25	10
CG.BA.NPT3/4.SS.S.21.K01	NPT 3/4"	262 g	319 g	9	1.5 ... 9.5	1.5 ... 9.5	70.9	65	65	35	1
CG.BA.NPT3/4.SS.S.21.K10	NPT 3/4"	262 g	3.24 kg	9	1.5 ... 9.5	1.5 ... 9.5	70.9	65	65	35	10
CG.BA.NPT3/4L.SS.S.21.K01	NPT 3/4"	429 g	486 g	22	1.5 ... 15	1.5 ... 15	176.7	65	65	30	1
CG.BA.NPT3/4L.SS.S.21.K10	NPT 3/4"	429 g	4.91 kg	22	1.5 ... 15	1.5 ... 15	176.7	65	65	30	10
CG.BA.NPT1.SS.S.26.K01	NPT 1"	506 g	568 g	22	1.5 ... 15	1.5 ... 15	176.7	70	70	30	1
CG.BA.NPT1.SS.S.26.K10	NPT 1"	506 g	5.68 kg	22	1.5 ... 15	1.5 ... 15	176.7	70	70	30	10
CG.BA.NPT1L.SS.S.26.K01	NPT 1"	459 g	546 g	36	1.5 ... 21.5	1.5 ... 21.5	363.1	70	70	55	1
CG.BA.NPT1L.SS.S.26.K10	NPT 1"	459 g	5.46 kg	36	1.5 ... 21.5	1.5 ... 21.5	363.1	70	70	55	10
CG.BA.NPT1-1/4S.SS.S.28.K01	NPT 1-1/4"	588 g	675 g	36	1.5 ... 21.5	1.5 ... 21.5	363.1	70	70	55	1
CG.BA.NPT1-1/4S.SS.S.28.K05	NPT 1-1/4"	588 g	3.5 kg	36	1.5 ... 21.5	1.5 ... 21.5	363.1	70	70	55	5
CG.BA.NPT1-1/4.SS.S.28.K01	NPT 1-1/4"	618 g	730 g	55	1.5 ... 29	1.5 ... 29	660.5	70	80	65	1
CG.BA.NPT1-1/4.SS.S.28.K05	NPT 1-1/4"	618 g	3.78 kg	55	1.5 ... 29	1.5 ... 29	660.5	70	80	65	5
CG.BA.NPT1-1/2.SS.S.28.K01	NPT 1-1/2"	737 g	849 g	55	1.5 ... 29	1.5 ... 29	660.5	80	80	65	1
CG.BA.NPT1-1/2.SS.S.28.K02	NPT 1-1/2"	737 g	1.9 kg	55	1.5 ... 29	1.5 ... 29	660.5	80	80	65	2
CG.BA.NPT2.SS.S.28.K01	NPT 2"	1.02 kg	1.16 kg	75	1.5 ... 37	1.5 ... 37	1075.2	90	90	75	1
CG.BA.NPT2.SS.S.28.K02	NPT 2"	1.02 kg	2.52 kg	75	1.5 ... 37	1.5 ... 37	1075.2	90	90	75	2
CG.BA.NPT2-1/2.SS.S.41.K01	NPT 2-1/2"	2.52 kg	2.78 kg	99	1.5 ... 46	1.5 ... 46	1661.9	110	110	85	1
CG.BA.NPT2-1/2.SS.S.41.K02	NPT 2-1/2"	2.52 kg	5.77 kg	99	1.5 ... 46	1.5 ... 46	1661.9	110	110	85	2
CG.BA.NPT3.SS.S.43.K01	NPT 3"	4.37 kg	4.71 kg	129	1.5 ... 58	1.5 ... 58	2642.1	120	120	150	1
CG.BA.NPT3.SS.S.43.K02	NPT 3"	4.37 kg	9.62 kg	129	1.5 ... 58	1.5 ... 58	2642.1	120	120	150	2

\*Knn: scope of delivery see table technical data