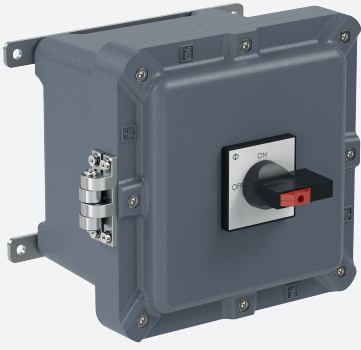


Switch Disconnectors Ex d IIB

EJB*.D.PS.DIS.*



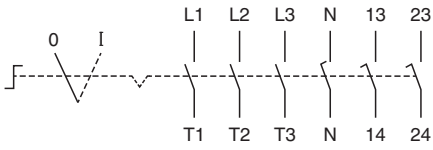
- Various contact configurations and pole numbers
- Labeling '0 - I'
- Ex d and Ex tb certified
- Installation in Zone 1, Zone 2, Zone 21 and Zone 22
- Aluminum enclosure
- Degree of protection IP66



Function

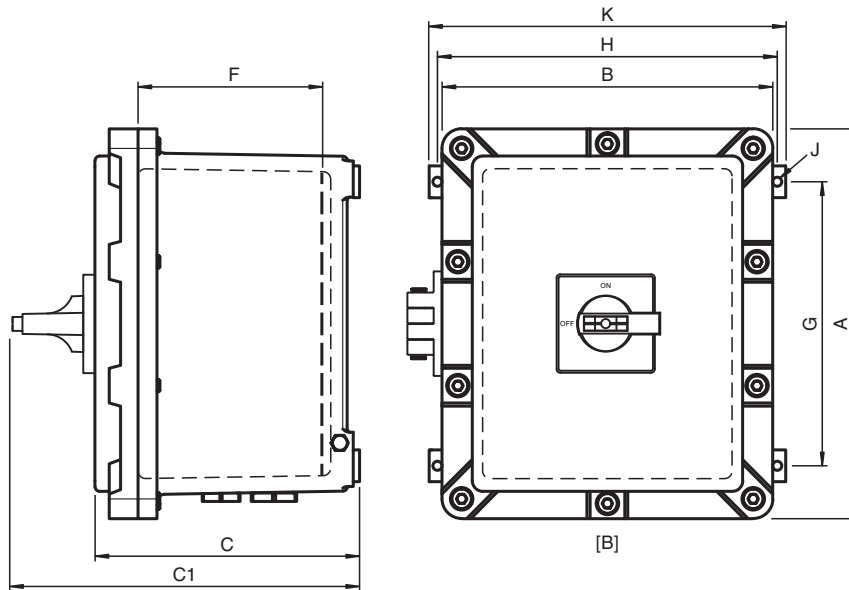
Safe mains power disconnection of machines in hazardous areas zones 1 and 2 up to gas group IIB+H₂ as well as in zones 21 and 22 is guaranteed by switch disconnectors in sturdy EJB series enclosures.
 Several standard variants are available up to 100 A for AC23 and AC3.
 Customization of switching components as well as cable entries allow to tailor the solution exactly to the specific requirements.

Wiring Diagram



	L1	L2	L3	N	13	23
0						
I	X	X	X	X	X	X
	T1	T2	T3	N	14	24

Dimensions



Dimension values see data table.
 Real values might differ slightly due to manufacturing tolerances.
 Dimensions are valid for standard enclosures and IP66 variants only.
 Image and drawing are generic for this device type and may deviate from the specific variant.

Dimensions and Enclosure Details

Type	External dimensions [mm]					Mounting [mm]			Mass approx. [kg]	Cover screws		
	A	B	C	C1	K	G	H	J		Mx	qty.	Torque [Nm]
EJB2A.D.PS.DIS.025.3PN.2NO	220	220	169	222.9	247	157	206	8	16.4	M6	8	15
EJB4A.D.PS.DIS.063.3PN.2NO	265	225	180	234.9	248	188	206	8	18.5	M8	10	20
EJB4A.D.PS.DIS.100.3PN.2NO	265	225	180	234.9	248	188	206	8	18.5	M8	10	20

Electrical Data

Type	A	B	C	D	Main contacts		Auxiliary contacts	
					Contact configuration	Usage category	Contact configuration	Usage category
EJB2A.D.PS.DIS.025.3PN.2NO	690	25	35 A, gG	4	4x NO	AC23: 690 V AC - 25 A AC3: 690 V AC - 25 A	2x NO delayed, advanced opening	AC15: 500 V AC - 1.0 A / 440 V AC - 1.5 A / 240 V AC - 2.5 A
EJB4A.D.PS.DIS.063.3PN.2NO	690	63	63 A, gG	4	4x NO	AC23: 690 V AC - 63 A AC3: 690 V AC - 63 A	2x NO delayed, advanced opening	AC15: 500 V AC - 1.5 A / 440 V AC - 3.0 A / 240 V AC - 6.0 A
EJB4A.D.PS.DIS.100.3PN.2NO	690	100	100 A, gG	4	4x NO	AC23: 690 V AC - 100 A AC3: 690 V AC - 100 A	2x NO delayed, advanced opening	AC15: 500 V AC - 1.5 A / 440 V AC - 3.0 A / 240 V AC - 6.0 A

A = Operating voltage [V AC max.]
 B = Operating current [A max.]
 C = Short circuit current limitation, recommended
 D = Number of poles

Terminal Configuration and Cable Entries max. Quantity per Size

Type	Main terminals		Grounding terminals		Cable entries Face B			
	Capacity [mm ²]	Torque [Nm]	Capacity [mm ²]	Torque [Nm]	M20	M25	M32	M40
EJB2A.D.PS.DIS.025.3PN.2NO	2x 1 ... 6	1.25	2x 0.05 ... 4	0.6 max.	1	2	-	-
EJB4A.D.PS.DIS.063.3PN.2NO	2x 1 ... 16	1.8	2x 1.5 ... 25	3.6 max.	1	-	2	-
EJB4A.D.PS.DIS.100.3PN.2NO	2x 1 ... 50	3	2x 2.5 ... 35	5 min.	1	-	-	2

All cable entries are closed with appropriate metal stopping plugs
 For details please refer to individual product datasheets

Release date: 2025-05-09 Date of issue: 2025-05-09 Filename: t190589_eng.pdf

For further configurations please contact Pepperl+Fuchs

Technical Data

Electrical specifications

Operating voltage	see data table
Rated impulse withstand voltage	6 kV
Rated frequency	50Hz
Short circuit current limitation	see data table
Operating current	see data table
Terminal capacity	see data table
Rated insulation voltage	690 V
Function	switch disconnector
Color	black
Contact configuration	see data table
Switching configuration	2 position with left OFF
Usage category	see data table
Number of poles	see data table
Auxiliary contacts	see data table
Auxiliary contacts usage category	see data table
Operator action	engage - engage
Lockable	in 'OFF' position
Labeling	0 - I

Mechanical specifications

Thread type	metric ISO pitch 1.5 mm or NPT ANSI ASME B1.20.1
Enclosure range	EJB
Enclosure cover	fully detachable
Cover fixing	stainless steel socket cap head screws
Screws	see data table
Yield stress	min. 450 N/mm ²
Cover seal	none
Flamepath grease	Greasil MS4 or NEVER SEEZ Marine Grade
Degree of protection	IP66
Cable entry	see data table
Defined entry area	face B
Material	
Enclosure	aluminum alloy
Finish	epoxy coated RAL 7005 (grey)
Mass	see data table
Dimensions	see data table values might differ slightly due to casting and manufacturing tolerances
Tightening torque	
Nut torque at enclosure (SW1)	see datasheets of stopping plugs
Mounting	see data table
Grounding	M6 external grounding points

Ambient conditions

Ambient temperature	-20 ... 50 °C (-4 ... 122 °F) @ T6
---------------------	------------------------------------

Data for application in connection with hazardous areas

EU-type examination certificate	INERIS 14 ATEX 0022X
Marking	⊕ II 2 GD Ex d IIB+H ₂ T* Gb Ex tb IIIC Db

International approvals

IECEx approval	IECEx INE 14.0029X
UKCA approval	CML 21 UKEX 1425U
ECAS approval	23-10-87483/E23-09-089610

Release date: 2025-05-09 Date of issue: 2025-05-09 Filename: t190589_eng.pdf

Technical Data

Conformity

Degree of protection	EN60529
Usage category	IEC / EN 60947
CE marking	0080 or 0102, see type label

General information

Supplementary information	EC-Type Examination Certificate, Statement of Conformity, Declaration of Conformity, Attestation of Conformity and instructions have to be observed where applicable. For information see www.pepperl-fuchs.com .
---------------------------	--

Type Code

1	2	3	4	5	6
EJB	*	*	*	*	***
EJB	4A	D	PS	DIS	063.3PN.2NO

Example: EJB4A.D.PS.DIS.063.3PN.2NO

Switch disconnector EJB size 4A in aluminum, 63 A, main contacts 3x NO + neutral, auxiliary contacts 2x

1	Enclosure type
EJB	enclosure Ex d IIB+H ₂
	Material
	copper-free aluminum
2	Enclosure size
0 ... 20A	see dimensions data table
	Window
	no window
3	Electrical circuits
D	without intrinsically safe circuits
4	Type of application
PS	power switching
5	Function
DIS	switch disconnector
6	Switching configuration
	xxxx