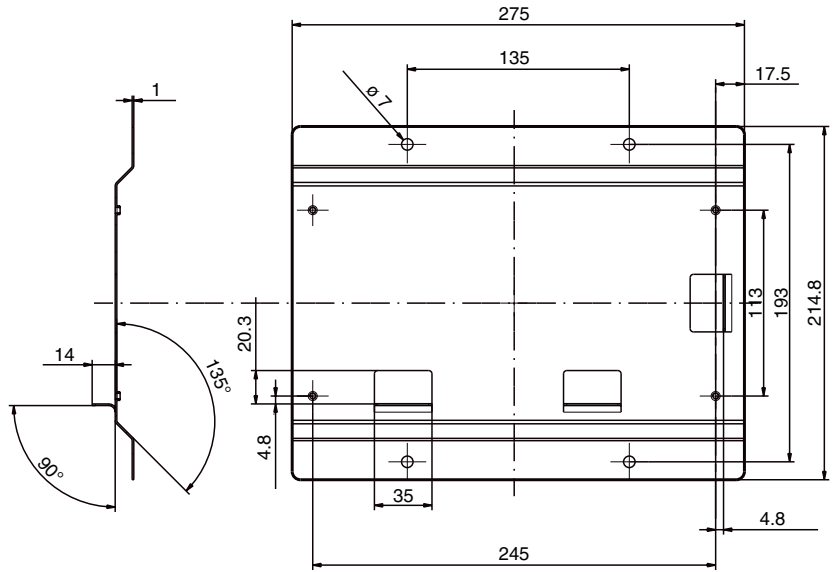


**Dimensions**



**Model Number**

**OB11PSU1100**

Bracket for VisuNet PSUs

**Features**

- Mounting bracket
- Simple and fast mounting
- Same hole pattern as OB11-J-AC1-N-N-N-N

**Function**

The OB11PSU1100 is an additional wall mount bracket designed for VisuNet PSU1100-J1-AC-N0, PSU1100-J1-DC-N0, PSU1200-J2-AC-N0, and PSU1200-J2-DC-N0 power supply units.

**Technical data**

**Mechanical specifications**

Material	1.4301 stainless steel
Mass	0.5 kg
Mounting	4 x M4 screws for inner hole pattern (screws that come with PSU can be used) 4 x M6 screws for 7 mm diameter holes (depending on the surface, suitable screws must be chosen by the installer)
Note	Same hole pattern as OB11-J-AC1-N-N-N-N can be used

ase date: 2019-05-02 16:15 Date of issue: 2019-05-02 t190720\_eng.xml