



Cable Glands, Plastic

CG.P*DS1.*.PA.*.*

- For cables without armor
- High impact-resistant polyamide material
- Ex eb and Ex tb certified
- Suitable for operation in Zone 1, Zone 2, Zone 21 and Zone 22
- Very large clamping range due to double sealing insert
- Versions with blue marking for use with Ex i circuits available
- Full impact resistance of 7 J according to IEC/EN 60079-0 for the full range without limitations



Function

The plastic cable glands CG.P*DS1 are designed in protection type Ex e in accordance with IEC/EN 60079-0 and IEC/EN 60079-7 for the use in Zone 1, Zone 2, Zone 21 and Zone 22 hazardous areas with non-armored cables. They are made of special resistant polyamide and offer a variety of clamping ranges and thread lengths. Variants with blue marking are available for identification of Ex i circuits.

Technical Data

Mechanical specifications

Cable type	non-armored cables
Clamping range (D)	see data table
Thread type	metric ISO pitch 1.5 mm
Thread size (TD)	see data table
Degree of protection	IP66 / IP68
Material	
Finish	inherent color black or inherent color black, cap nut blue
Cable gland	high impact-resistant polyamide
Washer gasket	flat chloroprene gasket
Seal insert	chloroprene / neoprene or silicone
Mass	see data table
Dimensions	see data table

Ambient conditions

Ambient temperature	chloroprene seal: -40 ... 70 °C (-40 ... 158 °F) silicone seal: -60 ... 70 °C (-76 ... 158 °F) sealing plugs: -60 ... 70 °C (-76 ... 158 °F)
---------------------	--

Data for application in connection with hazardous areas

EU-type examination certificate	IMQ 15 ATEX 006X
Marking	Ⓜ II 2 GD Ex eb IIC Gb Ex tb IIIC Db

International approvals

IECEx approval	IECEx IMQ 15.0001X
UKCA approval	CML 22 UKEX 31379X
INMETRO approval	DNV 20.0030 X
CCC approval	2021312313000450

Conformity

Degree of protection	EN 60529
CE marking	0102

Release date: 2025-04-08 Date of issue: 2025-04-08 Filename: t192789_eng.pdf

Technical Data

General information

Scope of delivery	Knn - packing unit with multiple components: Cable glands , Brief instructions (1 copy)
Supplementary information	EC-Type Examination Certificate, Statement of Conformity, Declaration of Conformity, Attestation of Conformity and instructions have to be observed where applicable. For information see www.pepperl-fuchs.com .

Accessories

Sealing plugs	see data table
---------------	----------------

Type Code

1	2	3	4	5	6	7
CG	****	***	**	*	**	K**
CG	PIDS1	M20	PA	C	10	K50

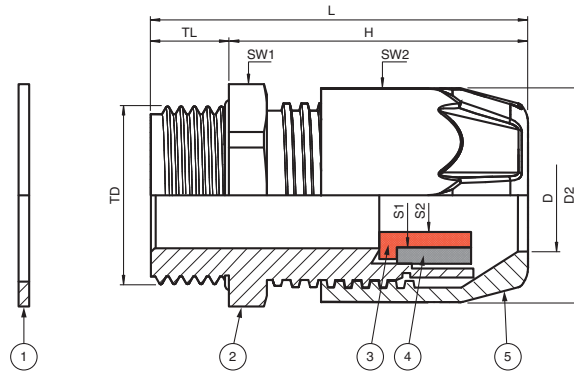
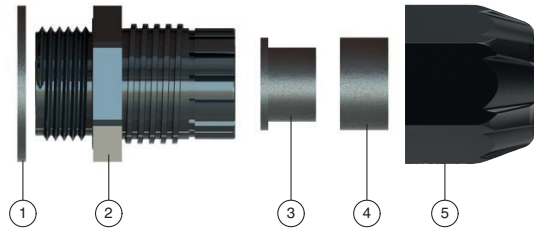
Example: CG.PIDS1.M20.PA.C.10.K50

Cable gland, plastic, blue to indicate intrinsically safe circuits, double seal insert, thread size M20, body polyamide, chloroprene seals for -40 °C ... 70 °C, installation thread length 10 mm, fifty pieces

1	Series
CG	cable glands
2	Type
PEDS1	plastic glands, double seal insert, black
PIDS1	plastic glands, double seal insert, blue to indicate Ex i circuits
3	Thread, type and size
M*	metric ISO pitch 1.5; sizes see dimensions data table
4	Material
PA	polyamide
5	Material seals / O-Ring
C	chloroprene / neoprene
S	silicone
6	Thread length for installation in enclosure
**	length in mm
7	Packaging unit
	units not packaged, for use in Pepperl+Fuchs Solution Engineering Centers
K**	units quantity per package

Dimensions

Legend	
1	Flat gasket
2	Gland body basis
3	Seal insert S2
4	Seal insert S1
5	Cap nut
D	Clamping range, cable sheath diameter
D2	Width across corners
H	Length outside enclosure
L	Total length
S*	Clamping range, seal insert combinations
SW*	Width across flats
TD	Thread size
TL	Thread length



Release date: 2025-04-08 Date of issue: 2025-04-08 Filename: t192789_eng.pdf

CG.PE* Dimensions

Type	Thread size	Clamping range [mm] seal insert combinations			Dimensions [mm]					
		TD	D	S1+S2	S1	H	L	TL	D2	SW1
CG.PEDS1.M12.PA.C.10.K50	M12	3 ... 6.5	3 ... 4	4 ... 6.5	30.3	40.3	10	17	15	15
CG.PEDS1.M12.PA.C.15.K50	M12	3 ... 6.5	3 ... 4	4 ... 6.5	30.3	45.3	15	17	15	15
CG.PEDS1.M16S.PA.C.10.K50	M16	4 ... 8	4 ... 5	5 ... 8	33.6	43.6	10	21.7	19	19
CG.PEDS1.M16S.PA.C.15.K50	M16	4 ... 8	4 ... 5	5 ... 8	33.6	48.2	15	21.7	19	19
CG.PEDS1.M16.PA.C.15.K50	M16	4 ... 10	4 ... 6	6 ... 10	37.2	47.2	15	25	22	22
CG.PEDS1.M20.PA.C.10.K50	M20	6 ... 12	6 ... 7.5	7.5 ... 12	37.8	47.8	10	27	24	24
CG.PEDS1.M20.PA.C.15.K50	M20	6 ... 12	6 ... 7.5	7.5 ... 12	37.8	52.4	15	27	24	24
CG.PEDS1.M20XL.PA.C.15.K50	M20	8 ... 14	8 ... 11	11 ... 14	37	52	15	30.9	27	27
CG.PEDS1.M25.PA.C.10.K25	M25	9 ... 17	9 ... 13	13 ... 17	42.2	47.7	10	32.5	29	29
CG.PEDS1.M25.PA.C.15.K25	M25	9 ... 17	9 ... 13	13 ... 17	42.2	47.7	15	32.5	29	29
CG.PEDS1.M25L.PA.C.15.K25	M25	10 ... 18	10 ... 13	13 ... 18	43.6	58.6	15	37.2	33	33
CG.PEDS1.M32.PA.C.10.K20	M32	12 ... 21	12 ... 16	16 ... 21	47.3	57.3	10	41	36	36
CG.PEDS1.M32.PA.C.15.K20	M32	12 ... 21	12 ... 16	16 ... 21	47.3	62.3	15	41	36	36
CG.PEDS1.M32L.PA.C.15.K20	M32	14 ... 25	14 ... 20	20 ... 25	48.7	63.7	15	47.1	42	42
CG.PEDS1.M40.PA.C.10.K10	M40	17 ... 28	17 ... 21	21 ... 28	52.4	62.4	10	52.4	46	46
CG.PEDS1.M40.PA.C.15.K10	M40	17 ... 28	17 ... 21	21 ... 28	52.4	67.4	15	52.4	46	46
CG.PEDS1.M50.PA.C.18.K05	M50	22 ... 38	22 ... 31	31 ... 38	60.1	78.1	18	67.8	60	60
CG.PEDS1.M63.PA.C.18.K05	M63	28 ... 44	28 ... 35	35 ... 44	60.4	78.4	18	72.4	65	65

CG.PE* Details and Accessories

Type	Thread size	Mass approx.		Diameter thru-hole [mm]	Nut torques [Nm]			End-caps color	Sealing plugs	Delivery quantity
		Component	Packaging unit		DT	SW1	SW2 S1+S2			
CG.PEDS1.M12.PA.C.10.K50	M12	7 g	213 g	12 ... 12.2	1.5	1	2	black	BP.PDS.M12.PA	50
CG.PEDS1.M12.PA.C.15.K50	M12	7 g	216 g	12 ... 12.2	1.5	1	2	black	BP.PDS.M12.PA	50
CG.PEDS1.M16S.PA.C.10.K50	M16	8 g	361 g	16 ... 16.2	1.5	3.5	4	black	BP.PDS.M16S.PA	50
CG.PEDS1.M16S.PA.C.15.K50	M16	10 g	365 g	16 ... 16.2	1.5	3.5	4	black	BP.PDS.M16S.PA	50
CG.PEDS1.M16.PA.C.15.K50	M16	12.6 g	630 g	16 ... 16.2	1.5	3.5	4	black	BP.PDS.M16-M20S.PA	50
CG.PEDS1.M20.PA.C.10.K50	M20	12 g	571 g	20 ... 20.2	2	5	5	black	BP.PDS.M20.PA	50
CG.PEDS1.M20.PA.C.15.K50	M20	13 g	600 g	20 ... 20.2	2	5	5	black	BP.PDS.M20.PA	50
CG.PEDS1.M20XL.PA.C.15.K50	M20	14 g	700 g	20 ... 20.2	2	5.5	5.5	black	BP.PDS.M20XL-M25S.PA	50
CG.PEDS1.M25.PA.C.10.K25	M25	15 g	474 g	25 ... 25.2	2.5	5	5	black	BP.PDS.M25.PA	25
CG.PEDS1.M25.PA.C.15.K25	M25	16 g	502 g	25 ... 25.2	2.5	5	5	black	BP.PDS.M25.PA	25
CG.PEDS1.M25L.PA.C.15.K25	M25	17 g	686 g	25 ... 25.2	2.5	5.5	8	black	BP.PDS.M25L-M32S.PA	25
CG.PEDS1.M32.PA.C.10.K20	M32	31 g	610 g	32 ... 32.3	4	4.5	6	black	BP.PDS.M32.PA	20
CG.PEDS1.M32.PA.C.15.K20	M32	32 g	640 g	32 ... 32.3	4	4.5	6	black	BP.PDS.M32.PA	20
CG.PEDS1.M32L.PA.C.15.K20	M32	26 g	520 g	32 ... 32.3	4	8	9	black	BP.PDS.M32L.PA	20
CG.PEDS1.M40.PA.C.10.K10	M40	45 g	450 g	40 ... 40.3	6	5	5	black	BP.PDS.M40.PA	10
CG.PEDS1.M40.PA.C.15.K10	M40	46 g	460 g	40 ... 40.3	6	5	5	black	BP.PDS.M40.PA	10
CG.PEDS1.M50.PA.C.18.K05	M50	93 g	465 g	50 ... 50.3	8	18	22	black	BP.PDS.M50.PA	5
CG.PEDS1.M63.PA.C.18.K05	M63	95 g	475 g	63 ... 63.3	10	22	24	black	BP.PDS.M63.PA	5

*Knn: scope of delivery see table technical data

CG.PI* Dimensions

Type	Thread size	Clamping range [mm] seal insert combinations			Dimensions [mm]					
	TD	D	S1+S2	S1	H	L	TL	D2	SW1	SW2
CG.PIDS1.M12.PA.C.10.K50	M12	3 ... 6.5	3 ... 4	4 ... 6.5	30.3	40.3	10	17	15	15
CG.PIDS1.M12.PA.C.15.K50	M12	3 ... 6.5	3 ... 4	4 ... 6.5	25.3	45.3	15	17	15	15
CG.PIDS1.M16S.PA.C.10.K50	M16	4 ... 8	4 ... 5	5 ... 8	33.6	43.6	10	21.7	19	19
CG.PIDS1.M16S.PA.C.15.K50	M16	4 ... 8	4 ... 5	5 ... 8	33.6	48.6	15	21.7	19	19
CG.PIDS1.M16.PA.C.10.K50	M16	4 ... 10	4 ... 6	6 ... 10	37.2	47.2	10	25	22	22
CG.PIDS1.M16.PA.C.15.K50	M16	4 ... 10	4 ... 6	6 ... 10	37.2	47.2	15	25	22	22
CG.PIDS1.M20.PA.C.10.K50	M20	6 ... 12	6 ... 7.5	7.5 ... 12	37.8	47.8	10	27	24	24
CG.PIDS1.M20.PA.C.15.K50	M20	6 ... 12	6 ... 7.5	7.5 ... 12	37.8	52.8	15	27	24	24
CG.PIDS1.M25.PA.C.10.K25	M25	9 ... 17	9 ... 13	13 ... 17	42.2	52.2	10	32.5	29	29
CG.PIDS1.M25.PA.C.15.K25	M25	9 ... 17	9 ... 13	13 ... 17	42.2	57.2	15	32.5	29	29
CG.PIDS1.M25L.PA.C.15.K25	M25	10 ... 18	10 ... 13	13 ... 18	43.6	58.6	15	37.2	33	33
CG.PIDS1.M32.PA.C.10.K20	M32	12 ... 21	12 ... 16	16 ... 21	47.3	57.3	10	41	36	36
CG.PIDS1.M32.PA.C.15.K20	M32	12 ... 21	12 ... 16	16 ... 21	42.3	62.3	15	41	36	36
CG.PIDS1.M32L.PA.C.15.K20	M32	14 ... 25	14 ... 20	20 ... 25	48.7	63.7	15	47.1	42	42
CG.PIDS1.M40.PA.C.10.K10	M40	17 ... 28	17 ... 21	21 ... 28	52.4	62.4	10	52.4	46	46
CG.PIDS1.M40.PA.C.15.K10	M40	17 ... 28	17 ... 21	21 ... 28	52.4	67.4	15	52.4	46	46
CG.PIDS1.M50.PA.C.18.K05	M50	22 ... 38	22 ... 31	31 ... 38	60.1	78.1	18	67.8	60	60
CG.PIDS1.M63.PA.C.18.K05	M63	28 ... 44	28 ... 35	35 ... 44	60.4	78.4	18	72.4	65	65

CG.PI* Dimensions Details and Accessories

Type	Thread size	Mass approx.		Diameter thru-hole [mm]	Nut torques [Nm]			End-caps color	Sealing plugs	Delivery quantity
	TD	Component	Packaging unit	DT	SW1	SW2 S1+S2	SW2 S1			
CG.PIDS1.M12.PA.C.10.K50	M12	7 g	210 g	12 ... 12.2	1.5	1	2	blue	BP.PDS.M12.PA	50
CG.PIDS1.M12.PA.C.15.K50	M12	7 g	214 g	12 ... 12.2	1.5	1	2	blue	BP.PDS.M12.PA	50
CG.PIDS1.M16S.PA.C.10.K50	M16	10 g	500 g	16 ... 16.2	1.5	3.5	4	blue	BP.PDS.M16S.PA	50
CG.PIDS1.M16S.PA.C.15.K50	M16	11 g	550 g	16 ... 16.2	1.5	3.5	4	blue	BP.PDS.M16S.PA	50
CG.PIDS1.M16.PA.C.10.K50	M16	12.6 g	630 g	16 ... 16.2	1.5	3.5	4	blue	BP.PDS.M16-M20S.PA	50
CG.PIDS1.M16.PA.C.15.K50	M16	12.6 g	630 g	16 ... 16.2	1.5	3.5	4	blue	BP.PDS.M16-M20S.PA	50
CG.PIDS1.M20.PA.C.10.K50	M20	13 g	580 g	20 ... 20.2	2	5	5	blue	BP.PDS.M20.PA	50
CG.PIDS1.M20.PA.C.15.K50	M20	14 g	609 g	20 ... 20.2	2	5	5	blue	BP.PDS.M20.PA	50
CG.PIDS1.M25.PA.C.10.K25	M25	17 g	477 g	25 ... 25.2	2.5	5	5	blue	BP.PDS.M25.PA	25
CG.PIDS1.M25.PA.C.15.K25	M25	18 g	504 g	25 ... 25.2	2.5	5	5	blue	BP.PDS.M25.PA	25
CG.PIDS1.M25L.PA.C.15.K25	M25	24.4 g	610 g	25 ... 25.2	2.5	5.5	8	blue	BP.PDS.M25L-M32S.PA	25
CG.PIDS1.M32.PA.C.10.K20	M32	31 g	620 g	32 ... 32.3	4	4.5	6	blue	BP.PDS.M32.PA	20
CG.PIDS1.M32.PA.C.15.K20	M32	26 g	630 g	32 ... 32.3	4	4.5	6	blue	BP.PDS.M32.PA	20
CG.PIDS1.M32L.PA.C.15.K20	M32	27 g	540 g	32 ... 32.3	4	8	9	blue	BP.PDS.M32L.PA	20
CG.PIDS1.M40.PA.C.10.K10	M40	45 g	450 g	40 ... 40.3	6	5	5	blue	BP.PDS.M40.PA	10
CG.PIDS1.M40.PA.C.15.K10	M40	46 g	460 g	40 ... 40.3	6	5	5	blue	BP.PDS.M40.PA	10
CG.PIDS1.M50.PA.C.18.K05	M50	93 g	465 g	50 ... 50.3	8	18	22	blue	BP.PDS.M50.PA	5
CG.PIDS1.M63.PA.C.18.K05	M63	95 g	475 g	63 ... 63.3	10	22	24	blue	BP.PDS.M63.PA	5

*Knn: scope of delivery see table technical data