

Sockets Ex de

PS*-4*



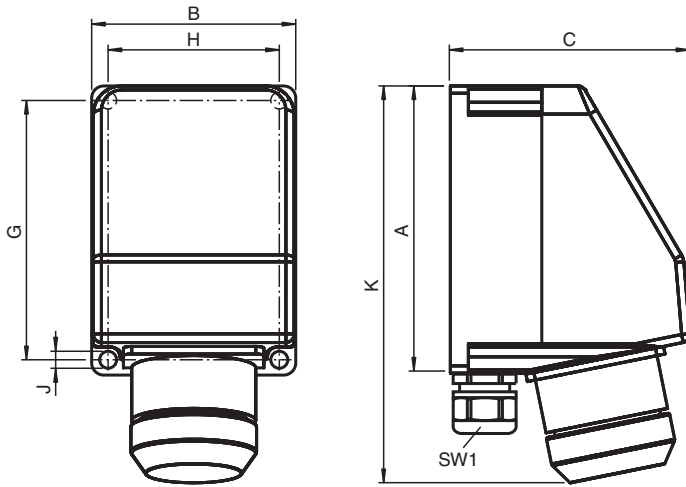
- Ex de and Ex t certified
- Glass-fiber reinforced polyester (GRP) enclosure
- Full equipment certified
- Installation in Zone 1, Zone 2, Zone 21 and Zone 22
- Degree of protection IP66
- Degree of protection ensured by means of bayonet catch
- Low insertion force
- Self-cleaning lamellar contacts



Function

The PS series wall sockets are available from 16 to 125 Amps and from 110 to 500 Volts with AC-3 and DC-1 switching capacity. Self-cleaning lamellar contacts provide an excellent connection as well as a speedy insertion and removal of the associated plug. The large termination area makes commissioning and maintenance fast and efficient. A rating of IP66 will ensure that the internals are protected from water and dust with or without the socket being installed.

Dimensions



Dimension values see data table.
Image and drawing are generic for this device type and may deviate from the specific variant.

Specifications Sockets PS*-4*

Type	Operating voltage [V]	Operating current max. [A]	A	B	Usage category	Number of poles	Color coding according to IEC 60309	C	D	Clamping range [mm]
PS16-430400	100 ... 130	16	2.5	2.5	AC3: 130 AC - 16 A DC1: 50 - 16 A	3	yellow	4 h	2x M25	8 ... 17
PS16-430600	200 ... 250	16	2.5	2.5	AC3: 250 AC - 16 A	3	blue	6 h	2x M25	8 ... 17
PS16-440600	380 ... 415	16	2.5	2.5	AC3: 415 AC - 16 A	4	red	6 h	2x M25	8 ... 17
PS16-440700	480 ... 500	16	2.5	2.5	AC3: 500 AC - 16 A	4	black	7 h	2x M25	8 ... 17
PS16-450600	380 ... 415	16	2.5	2.5	AC3: 415 AC - 16 A	5	red	6 h	2x M25	8 ... 17
PS32-440600	380 ... 415	32	6	2.5	AC3: 415 AC - 32 A	4	red	6 h	2x M32	12 ... 21
PS32-440700	480 ... 500	32	6	2.5	AC3: 500 AC - 32 A	4	black	7 h	2x M32	12 ... 21
PS32-450600	380 ... 415	32	6	2.5	AC3: 415 AC - 32 A	5	red	6 h	2x M32	12 ... 21
PS63-440600	380 ... 415	63	16	3	AC3: 415 AC - 63 A	4	red	6 h	2x M50	22 ... 35
PS63-440700	480 ... 500	63	16	3	AC3: 500 AC - 63 A	4	black	7 h	2x M50	22 ... 35

Release date: 2023-10-18 Date of issue: 2023-10-18 Filename: t194109_eng.pdf

Type	Operating voltage [V]	Operating current max. [A]	A	B	Usage category	Number of poles	Color coding according to IEC 60309	C	D	Clamping range [mm]
PS63-450600	380 ... 415	63	16	3	AC3: 415 AC - 63 A	5	red	6 h	2x M50	22 ... 35
PS125-440600	380 ... 415	125	50	3	AC3: 415 AC - 125 A	4	red	6 h	2x M63	27 ... 48
PS125-440700	480 ... 500	125	50	3	AC3: 500 AC - 125 A	4	black	7 h	2x M63	27 ... 48
PS125-450600	380 ... 415	125	50	3	AC3: 415 AC - 125 A	5	red	6 h	2x M63	27 ... 48

A = Main terminals capacity [mm²]

B = Main terminals torque [Nm]

C = Protective contact position according to IEC 60309

D = Number of cable entries

Dimensions Sockets PS*-4*

Type	External dimensions [mm]				Mounting [mm]			Mass [kg]	Cover screws		
	A	B	C	K	G	H	J		Mx	qty.	Torque [Nm]
PS16-430400	156	103	122	223	142	86	6	1.2	M4	4	2.5
PS16-430600	156	103	122	223	142	86	6	1.2	M4	4	2.5
PS16-440600	176	123	147	241	163	106	6	1.2	M4	4	2.5
PS16-440700	176	123	147	241	163	106	6	1.2	M4	4	2.5
PS16-450600	176	123	147	241	163	106	6	1.2	M4	4	2.5
PS32-440600	211	133	162	294	198	118	6	1.8	M4	4	2.5
PS32-440700	211	133	162	294	198	118	6	1.8	M4	4	2.5
PS32-450600	211	133	162	294	198	118	6	1.8	M4	4	2.5
PS63-440600	371	201	248	472	352	181	9	8.25	M6	4	3
PS63-440700	371	201	248	472	352	181	9	8.25	M6	4	3
PS63-450600	371	201	248	472	352	181	9	8.83	M6	4	3
PS125-440600	431	249	274	538	411	228	9	13	M6	4	3
PS125-440700	431	249	274	538	411	228	9	13	M6	4	3
PS125-450600	431	249	274	538	411	228	9	14	M6	4	3

Technical Data**Electrical specifications**

Operating voltage	see table
Operating current	see table
Terminal capacity	see table
Supply frequency	50/60 Hz
Function	socket
Usage category	see table
Number of poles	see table
Color coding according to IEC 60309	see table
Protective contact position according to IEC 60309	see table

Mechanical specifications

Cable type	non-armored cables
Cover fixing	see table
Degree of protection	IP66
Cable entry	
Number of cable entries	see table 1x Cable gland , 1x Stopping Plug
Material	
Housing	carbon loaded, antistatic glass-fiber reinforced polyester (GRP)
Finish	inherent color black
Mass	see table
Dimensions	see table

Ambient conditions

Ambient temperature	-40 ... 55 °C (-40 ... 131 °F)
---------------------	--------------------------------

Data for application in connection with hazardous areas

EU-type examination certificate	SIRA 11 ATEX 1044
---------------------------------	-------------------

Technical Data

Marking	Ⓢ II 2 GD Ex de IIC T6 Gb Ex t IIIC T80 °C Db	
International approvals		
IECEX approval	IECEX SIR 11.0026	
Conformity		
Degree of protection	EN 60529	
Usage category	IEC / EN 60947	
CE marking	0102	
Plug connection	IEC 60309	
General information		
Supplementary information	EC-Type Examination Certificate, Statement of Conformity, Declaration of Conformity, Attestation of Conformity and instructions have to be observed where applicable. For information see www.pepperl-fuchs.com .	

Type Code

1	2		3	4	5	6
PS	***	-	*	*	**	**
PS	125	-	4	5	06	00

Example: PS125-450600

Socket Ex de max. 125 A, 380 ... 415 V, 5-pole red, protective contact position 6 h

1	2		3	4	5	6
PS	**	-	*	*	**	**
PS	16	-	7	3	04	00

Example: PS16-730400

Plug Ex de max. 16 A, 110 ... 113 V, 3-pole yellow, protective contact position 4 h

1	Device type
PS	PS Plugs and Sockets Ex de
2	Operating current
**	max. A, see data table
3	Variant
4	socket
7	plug
4	Number of poles
3 ... 5	see data table
5	Pin configuration
**	pins and protective contact positioning, see data table
6	Auxiliary contacts
00	none