



Incremental rotary encoder ENI90HD-R

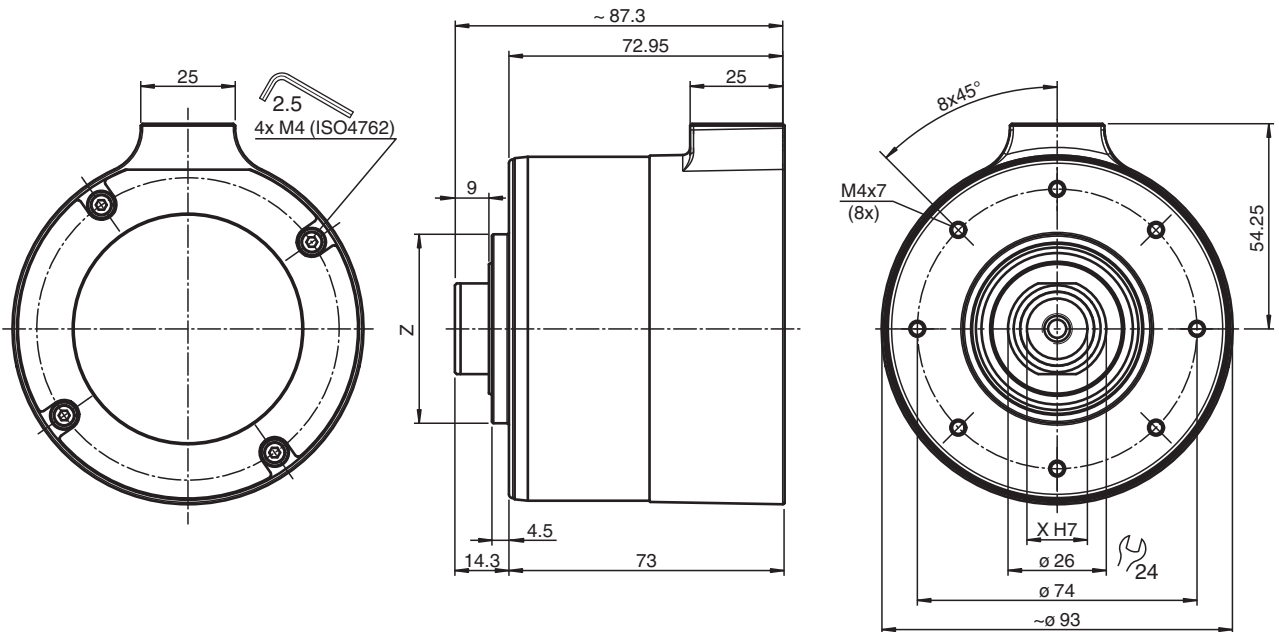
- Housing \varnothing 93 mm
- Up to 5000 pulses
- Universal output driver
- BlueBeam technology for ultimate precision
- Recessed hollow shaft



Dimensions

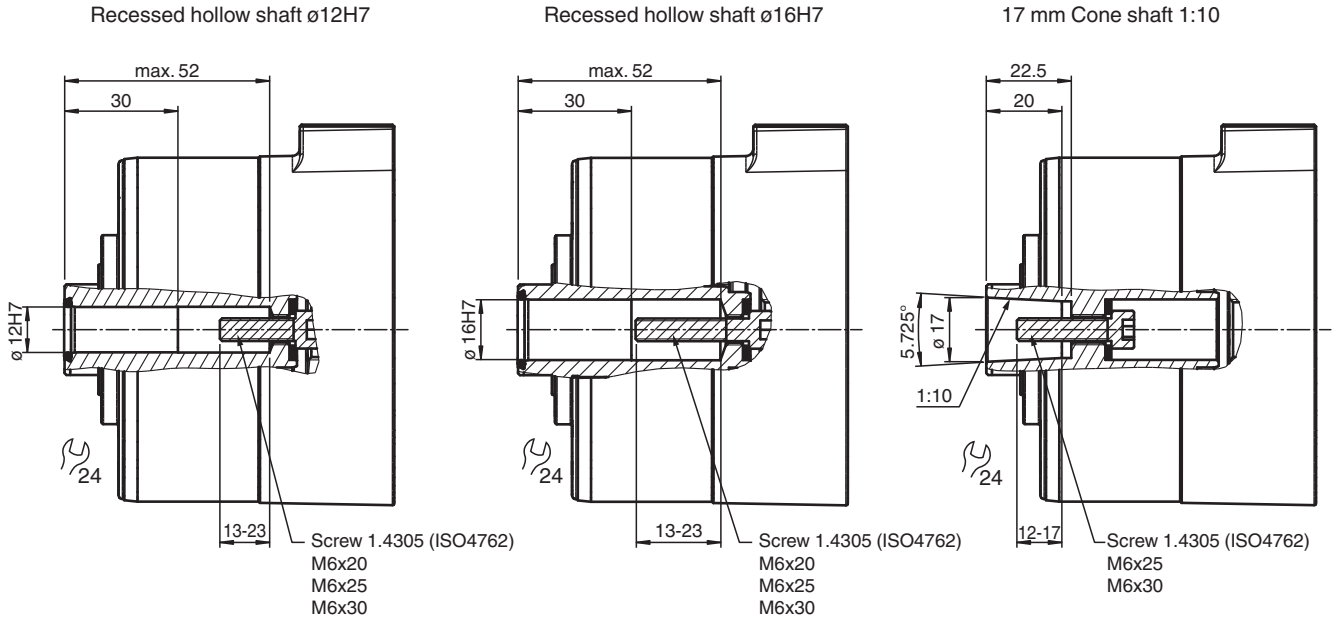
Recessed hollow shaft and cone shaft with cable and connector M12, M23

Hollow shaft X	X [mm]	Z [mm]
\varnothing 12	\varnothing 12	\varnothing 50
\varnothing 16	\varnothing 16	\varnothing 50
\varnothing 17 conus	\varnothing 17 conus	\varnothing 50

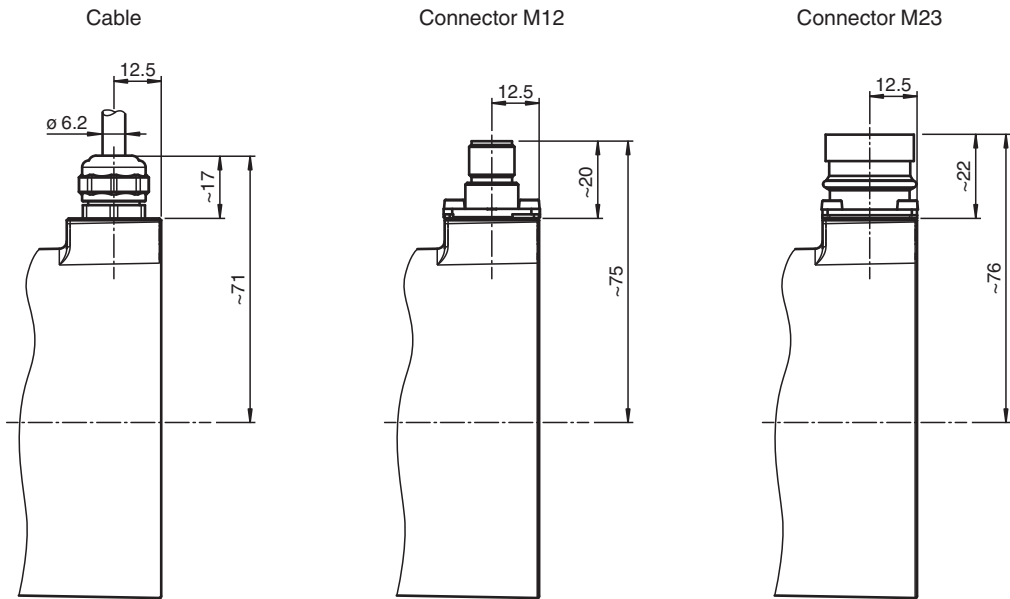


Release date: 2024-10-24 Date of issue: 2024-10-24 Filename: t195388_eng.pdf

Dimensions



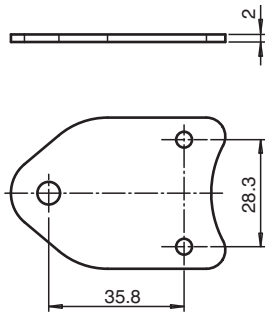
Connections



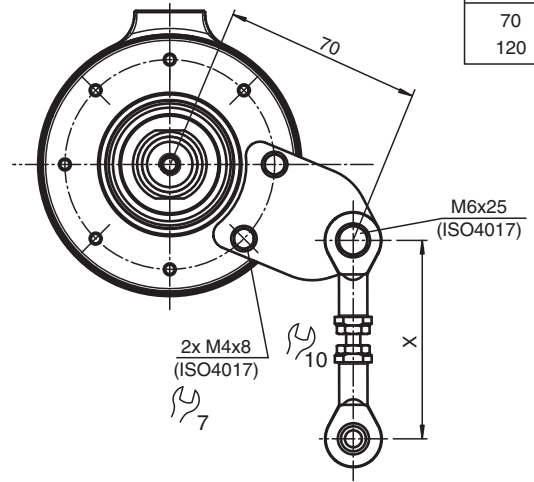
Release date: 2024-10-24 Date of issue: 2024-10-24 Filename: t195388_eng.pdf

Dimensions

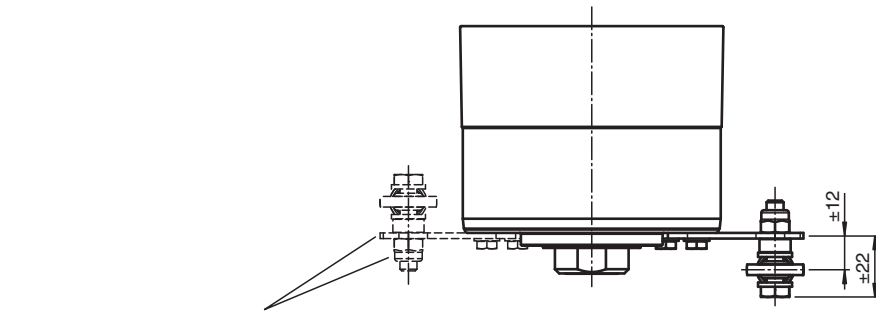
Support plate 70 mm short with swivel arm



Support plate mountable in 45° steps (8x45°)



Swivel arm X [mm]
70 (69-79)
120 (117-127)

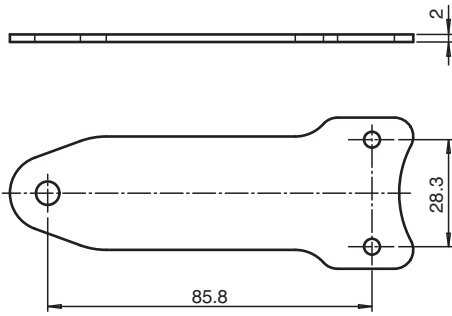


Support plate right angle and swivel arm mountable on both sides

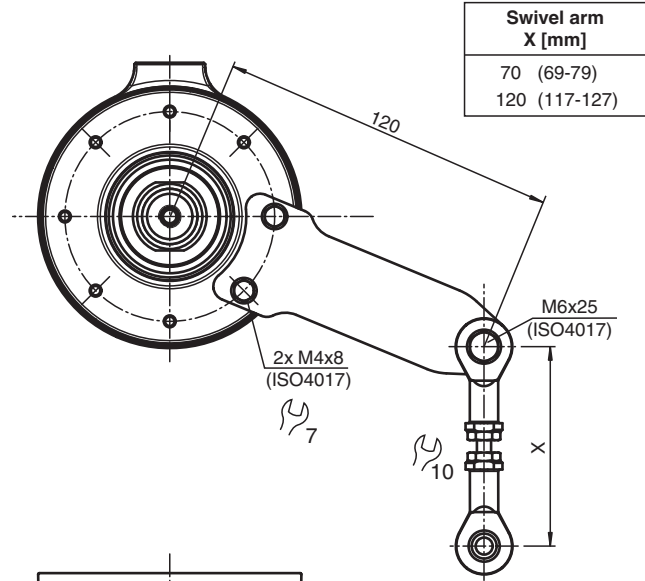
Release date: 2024-10-24 Date of issue: 2024-10-24 Filename: t195388_eng.pdf

Dimensions

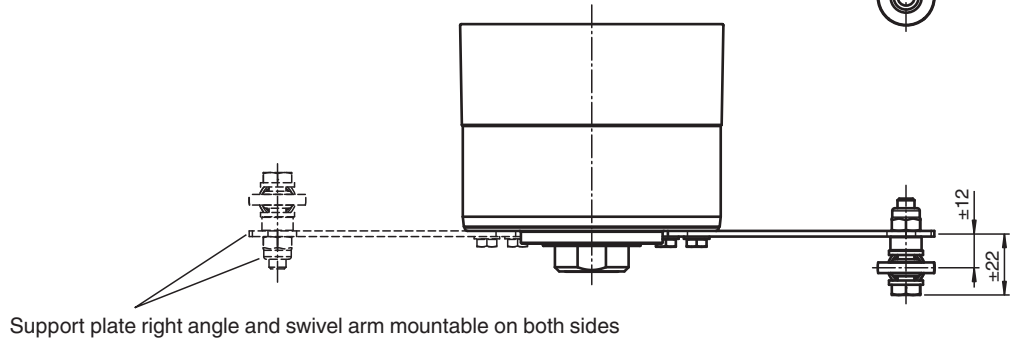
Support plate 120 mm straight with swivel arm



Support plate mountable in 45° steps (8x45°)



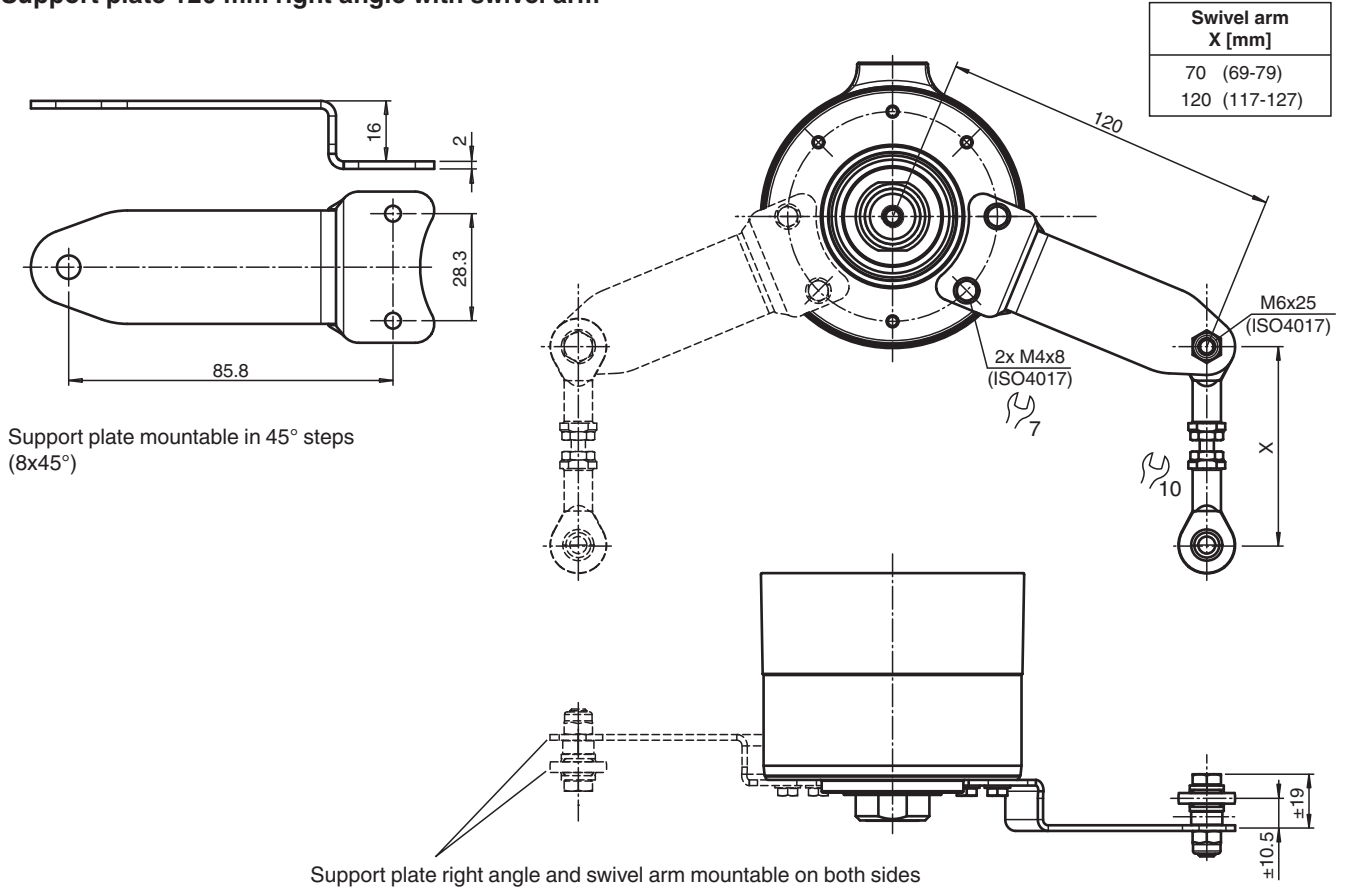
Swivel arm X [mm]
70 (69-79)
120 (117-127)



Release date: 2024-10-24 Date of issue: 2024-10-24 Filename: t195388_eng.pdf

Dimensions

Support plate 120 mm right angle with swivel arm



Technical Data

General specifications	
Detection type	photoelectric sampling
Linearity error	± 0.025 °
Pulse count	max. 5000
Functional safety related parameters	
MTTF _d	435 a
Mission Time (T _M)	10 a
Diagnostic Coverage (DC)	0 %
Electrical specifications	
Operating voltage	U _B 4.75 ... 30 V DC
No-load supply current	I ₀ max. 50 mA
Output	
Output type	push-pull or RS422 (universal output driver, output level depending on input voltage)
Load current	max. per channel 40 mA , short-circuit protected, reverse polarity protected
Output frequency	max. 400 kHz
Rise time	300 ns
Phase position A to B	
Pulse counts < 3600	90 ° ± 9 ° electrical
Pulse counts ≥ 3600	90 ° ± 25 ° electrical
Duty cycle	1/2 ± 10 %
Connection	

Release date: 2024-10-24 Date of issue: 2024-10-24 Filename: t195388_eng.pdf

Technical Data

Connector	M12 connector, 8-pin M12 connector, 5 pin M23 connector, 12-pin , clockwise rotation M23 connector, 12-pin , counter clockwise rotation
Cable	Ø6 mm, 4 x 2 x 0.14 mm ²
Terminal compartment	Cable duct for cable diameter Ø4.0 mm ... 9.5 mm
Standard conformity	
Degree of protection	DIN EN 60529, IP65, IP66, IP67
Climatic testing	DIN EN 60068-2-78 , no moisture condensation
Emitted interference	EN IEC 61000-6-4:2019
Noise immunity	EN IEC 61000-6-2:2019
Shock resistance	DIN EN 60068-2-27, 200 g, 6 ms
Vibration resistance	DIN EN 60068-2-6, 20 g, 10 ... 2000 Hz
Approvals and certificates	
UL approval	E223176 , cULus Listed, General Purpose, Class 2 Power Source, Type 1 enclosure , if UL marking is marked on the product. For use in NFPA 79 Applications only. adapters providing field wiring on request
Maximum permissible ambient temperature	max. 80 °C (max. 176 °F)
Ambient conditions	
Operating temperature	-40 ... 85 °C (-40 ... 185 °F) , fixed cable -5 ... 85 °C (23 ... 185 °F) , movable cable
Storage temperature	-40 ... 85 °C (-40 ... 185 °F)
Mechanical specifications	
Material	
Housing	powder coated aluminum
Flange	aluminum, blank
Shaft	Stainless steel 1.4305 / AISI 303
Mass	< 1100 g without cable
Rotational speed	max. 6000 min ⁻¹ for IP65 max. 3000 min ⁻¹ for IP66/IP67
Starting torque	≤ 0.1 Nm for IP65 ≤ 0.25 Nm for IP66/IP67
Shaft insulation	max. 2.5 kV (for dielectric strength version)
Shaft load	
Axial	≤ 100 N
Radial	≤ 300 N
Dimensions	
Length	84.5 mm
Diameter	93 mm

Type Code

Structure of the type code

E	N	I	9	0	H	D	-	R	(1)	(1)	(2)	(2)	(3)	-	(4)	(4)	(4)	(4)	(5)	(5)	(5)	-	R	(6)	(6)
---	---	---	---	---	---	---	---	---	-----	-----	-----	-----	-----	---	-----	-----	-----	-----	-----	-----	-----	---	---	-----	-----

ENI	Device type
ENI	Incremental rotary encoder

90	Size
90	Housing diameter 90 mm

HD	Version
HD	Heavy Duty

R	Shaft type
R	Recessed hollow shaft

(1) (1)	Shaft diameter
12	12 mm
16	16 mm

Release date: 2024-10-24 Date of issue: 2024-10-24 Filename: t195388_eng.pdf

Type Code

(1) (1)	Shaft diameter
T1	17mm conus
R1	16 mm, dielectrically strong
R2	17 mm conus, dielectrically strong
RA	12 mm, dielectrically strong

(2) (2)	Flange
NA	Support plate 70 mm, straight
NB	Support plate 120 mm, straight
NC	Support plate 120 mm, right ankle
T1	Support plate 70 mm, straight, with articulated arm 70 mm
T2	Support plate 120 mm, straight, with articulated arm 70 mm
T3	Support plate 120 mm, right ankle, with articulated arm 70 mm
V1	Support plate 70 mm, straight, with articulated arm 120 mm
V2	Support plate 120 mm, straight, with articulated arm 120 mm
V3	Support plate 120 mm, right ankle, with articulated arm 120 mm
NN	No fastening element

(3)	Degree of protection
5	IP65
E	IP66 / IP67

(4) (4) (4) (4)	Pulse count
0100	100 pulses
0360	360 pulses
0500	500 pulses
1000	1000 pulses
1024	1024 pulses
2048	2048 pulses
2500	2500 pulses
3072	3072 pulses
4096	4096 pulses
5000	5000 pulses

(5) (5) (5)	Electrical interface
UD1	Universal output driver, U_B 5 V ... 30 V
UD2	RS422, U_B 5 V ... 30 V

R	Connection alignment
R	Radial

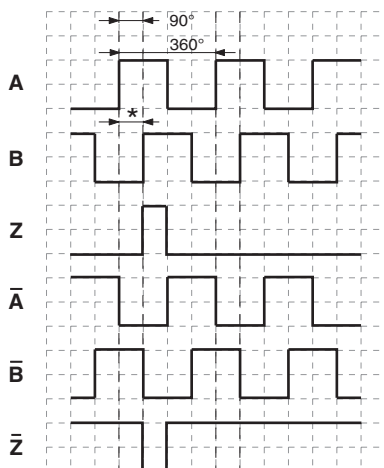
(6) (6)	Connection type
C1	Cable, 1 m
C2	Cable, 2 m
C3	Cable, 3 m
C5	Cable, 5 m
CA	Cable, 10 m
AA	M23 device plug, cw (type 9416)
AB	M23 device plug, ccw (type 9416L)
BE	M12 device plug, 8- pin (type V19)
BD	M12 device plug, 5-pin (type V15)
TC	Cable duct (available only without UL Listed)

Connection

Signal	Cable	Connector M23, 12-pin, clockwise, counterclockwise	Connector M12 x 1, 8-pin	Connector M12 x 1, 5-pin	Terminals
GND	White	10	1	3	0V
U _b	Brown	12	2	1	U _B
A	Green	5	3	2	A
B	Grey	8	5	4	B
\bar{A}	Yellow	6	4	-	\bar{A}
\bar{B}	Pink	1	6	-	\bar{B}
Z	Blue	3	7	5	Z
\bar{Z}	Red	4	8	-	\bar{Z}
NC	-	2	-	-	-
NC	-	7	-	-	-
NC	-	9	-	-	-
NC	-	11	-	-	-
Shielding	Shield	Housing	Housing	Housing	Grounding
	<p>Note: Unused cores must be insulated individually before commissioning in order to avoid interference.</p>				

Operation

Signal outputs



↺ ccw - with view onto the flange
phase relationships electrical
* 1 Measuring step is 90° electrical

Release date: 2024-10-24 Date of issue: 2024-10-24 Filename: t195388_eng.pdf