



## Accessories for the VisuNet FLX System Mounting Options

### Mounting Options

- Mounting options for the VisuNet FLX System
- Ideally positioned cable glands for all necessary connections
- 304 stainless steel constructions

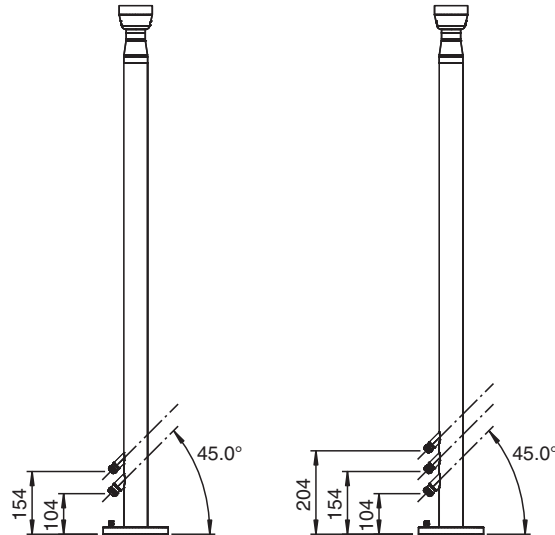
Mounting options for the VisuNet FLX System

### Function

Various Mounting Options are available from Wall Mounting up to multiple pedestal options. Whatever your applications require with the VisuNet FLX you find the right solution.

**Mounting**

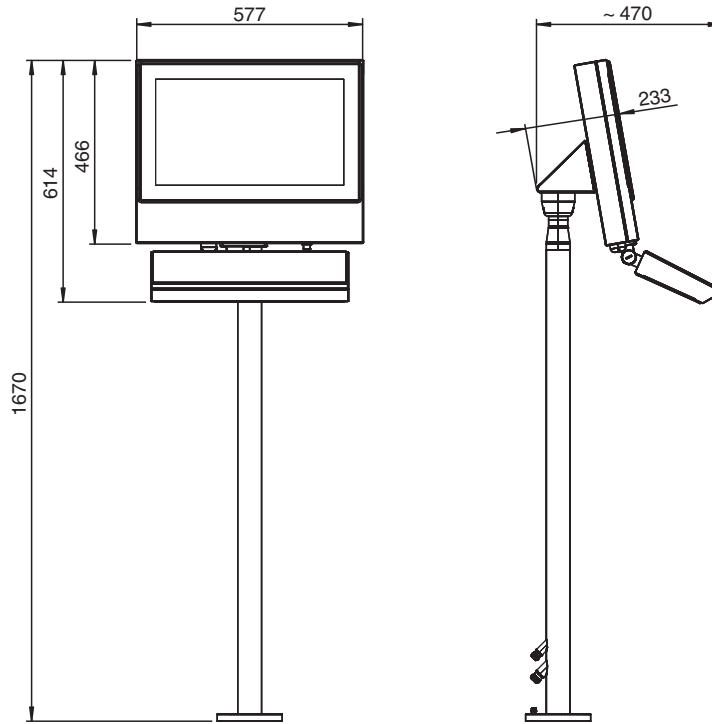
**Pedestal (1) and (2)**



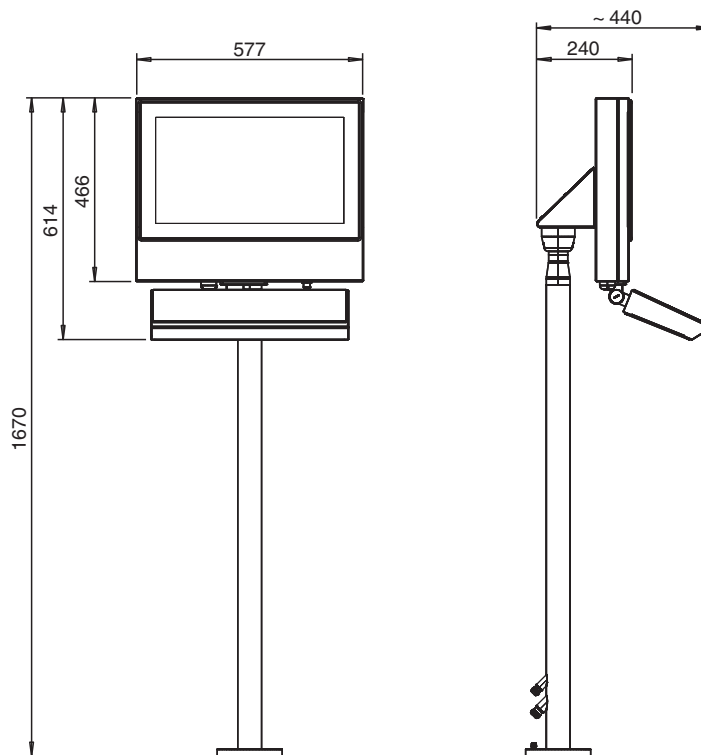
No.	Order Code	Specifications	Part No.
(1)	PEDESTAL-3200-131-2-304A-T-N0	Swivel Pedestal, floor mount - Compatible with Housing AG-3200- - Height: approx. 124 cm - Cable glands: 1x M20, 1x M16 (at bottom) - Material: Stainless steel AISI 304 (1.4301) - Angle of rotation: 300° - Incl. coupling and mounting screws	70129833
(2)	PEDESTAL-3200-131-3-304A-T-N0	Swivel Pedestal, floor mount - Compatible with Housing AG-3200- - Height: approx. 124 cm - Cable glands: 1x M20, 2x M16 (at bottom) - Material: Stainless steel AISI 304 (1.4301) - Angle of rotation: 300° - Incl. coupling and mounting screws	70129834

Release date: 2023-04-14 Date of issue: 2023-04-14 Filename: t199226\_eng.pdf

Mounting Adapter (1) and (3)



Mounting Adapter (2) and (4)

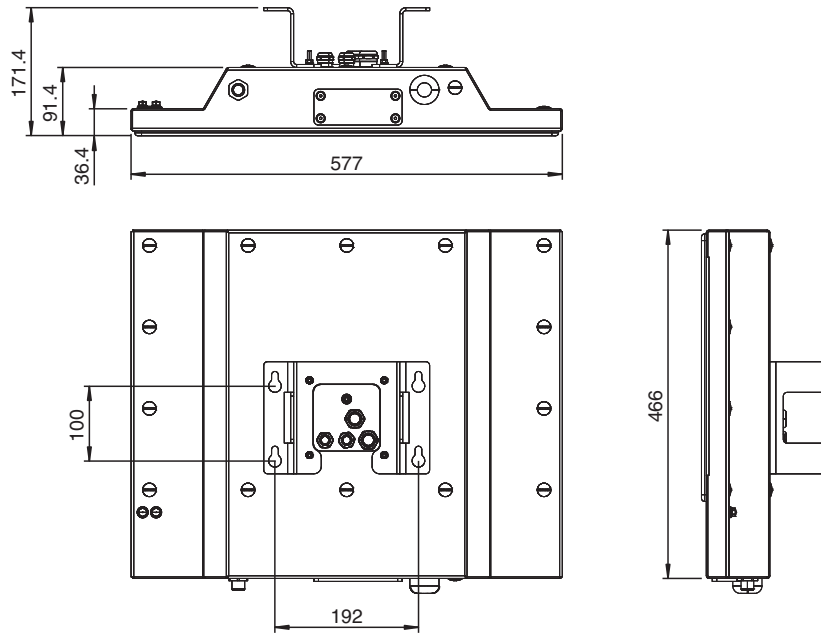


Release date: 2023-04-14 Date of issue: 2023-04-14 Filename: t199226\_eng.pdf

No.	Order Code	Specifications	Part No.
(1)	ADAPTER-3200-10-304A-N0	Adapter for pedestal mounting compatible with Housing AG-3200-* - 10° tilted - Material: Stainless steel AISI 304 (1.4301) - Surface finish: bead blasted (Ra <= 1.6 µm) - Compatible with Pedestal-1-150-* and Pedestal-3200-* series - Incl. screws to fix adapter to housing	70130768

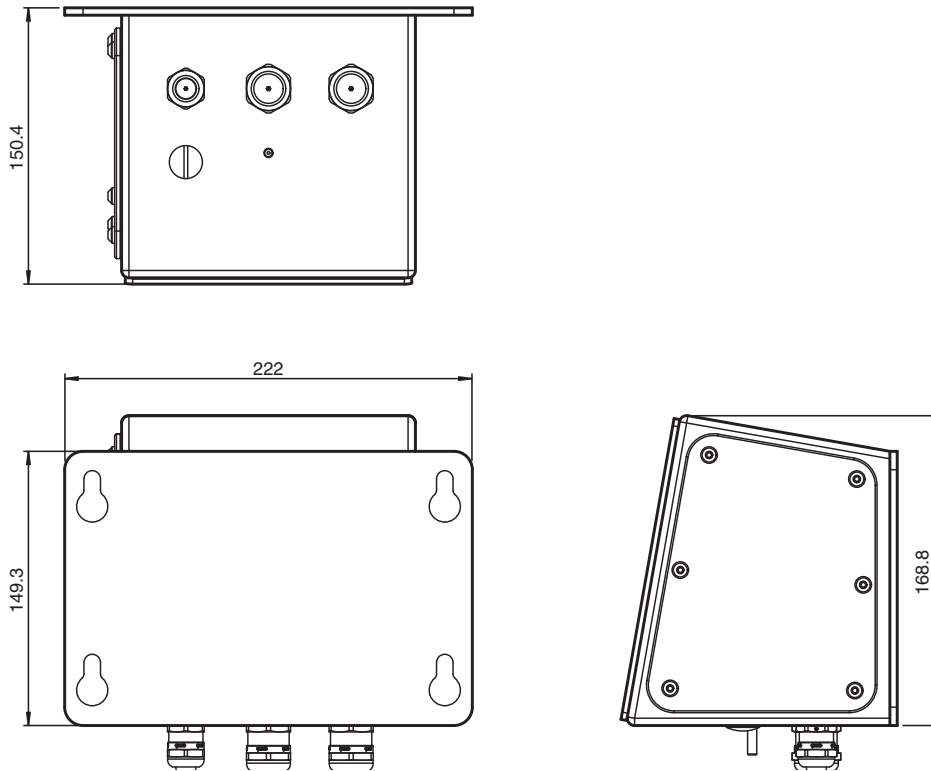
No.	Order Code	Specifications	Part No.
(2)	ADAPTER-3200-00-304A-N0	Adapter for pedestal, wall arm, ceiling mounting compatible with Housing AG-3200-* - 0° tilted - Material: Stainless steel AISI 304 (1.4301) - Surface finish: bead blasted (Ra <= 1.6 µm) - Compatible with Pedestal-1-130-* - Incl. screws to fix adapter to housing	70130769
(3)	ADAPTER-3200-10-304B-N0	Adapter for pedestal mounting compatible with Housing AG-3200-* - 10° tilted - Material: Stainless steel AISI 304 (1.4301) - Surface finish: brushed (Ra <= 0.8 µm) - Compatible with Pedestal-1-150-* and Pedestal-3200-* series - Incl. screws to fix adapter to housing	70129831
(3a)	ADAPTER-3200-10-304B-M12	Adapter for pedestal mounting compatible with Housing AG-3200-* - 10° tilted - prepared for IDM barcode reader (via M12 connector) - Surface finish: brushed (Ra <= 0.8 µm) - Incl. mounting material to fix adapter to housing	70144012
(4)	ADAPTER-3200-00-304B-N0	Adapter for pedestal, wall arm, ceiling mounting compatible with Housing AG-3200-* - 0° tilted - Material: Stainless steel AISI 304 (1.4301) - Surface finish: brushed (Ra <= 0.8 µm) - Compatible with Pedestal-1-130-* - Incl. screws to fix adapter to housing	70129832

Wall Mounting Options

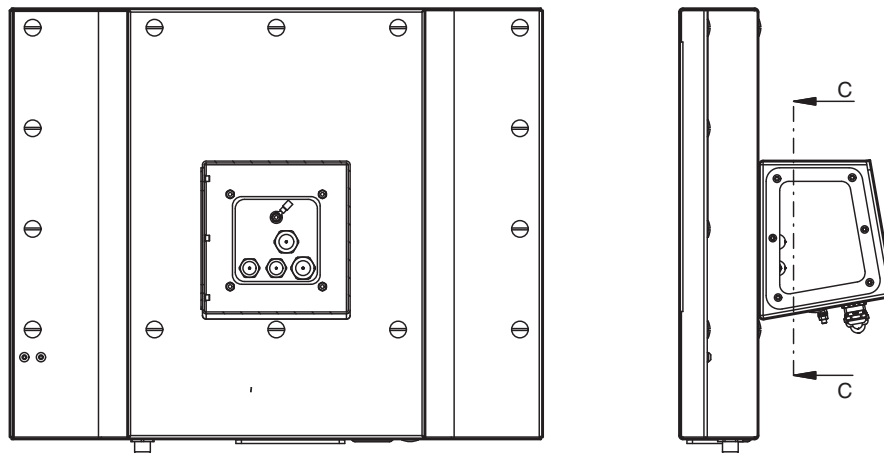


No.	Order Code	Specifications	Part No.
(1)	WALL-BRACKET-3200-304A-N0	Adapter for direct wall mounting compatible with Housing AG-3200-* Material: Stainless steel AISI 304 (1.4301)	70129835

Release date: 2023-04-14 Date of issue: 2023-04-14 Filename: t199226\_eng.pdf



Mounting to FLX



No.	Order Code	Specifications	Part No.
(2)	WALL-MOUNT-3200-10-304A-M12	Adapter for direct wall mounting - compatible with Housing AG-3200- - 10° tilted - Material: Stainless steel AISI 304 (1.4301) - Surface finish: Ra <= 1,6µm, brushed - Cable glands: 1x M20, 2x M16; 1x M16 Blind-Plug (at bottom) - prepared for IDM Barcode Scanner (via M12 connector) - incl. mounting material to fix adapter to housing	70160015

Release date: 2023-04-14 Date of issue: 2023-04-14 Filename: t199226\_eng.pdf