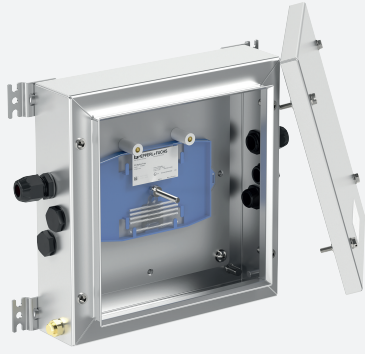


# FO Splice Boxes in Stainless Steel with Return Flange

## SR.TFO.\*



- Safe protection of fiber optic cable splices in hazardous areas
- Installation in Zone 1, Zone 2, Zone 21 and Zone 22
- Ex op pr and Ex tb certified
- Stainless Steel enclosure
- Up to 8 splice trays, 12 fusion-type splices per tray
- Wide range of cable glands and stopping plugs
- Return Flange Sealing provides Drain Channel

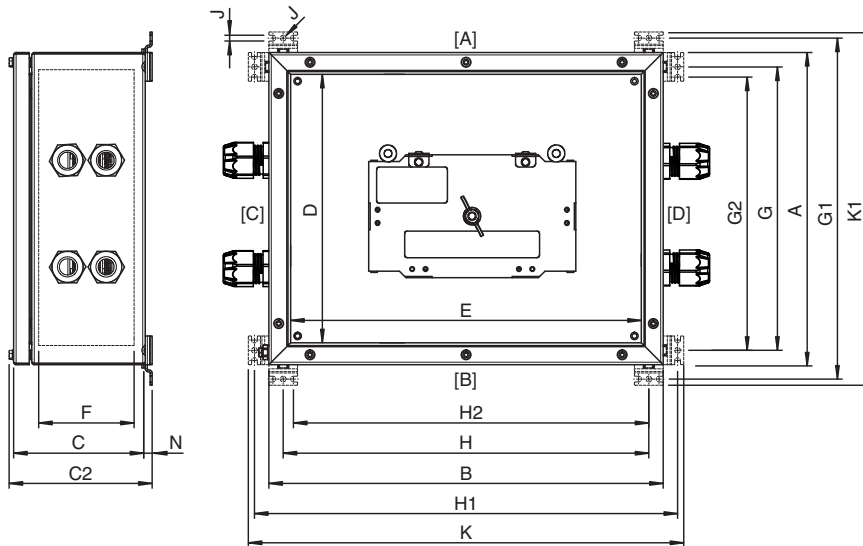
## FO Splice Boxes in Stainless Steel with Return Flange



### Function

The SR.TFO.\* series is a range of fiber optic splice boxes designed for protection of optical fiber cable splices in hazardous areas. Up to 8 splice trays are installed inside the sturdy stainless steel enclosure. The splice trays are according to DIN 47662 and Telecom standards, each tray can hold up to 12 fusion-type splices and can be optionally equipped with strain reliefs as required. The enclosures are manufactured from brushed AISI 316L stainless steel which provides excellent tarnish and corrosion resistance. All enclosures feature a 45° return flange sealing method which channels water away from the seal area and also prevents accumulated dirt and dust from entering the enclosure when the cover is opened. Durable materials allow the splice box to be used in ambient temperatures between -50 °C and +55 °C. Fiber optic splice boxes are available in further enclosure materials such as GRP.

### Dimensions



Dimension values see data table.  
Image and drawing are generic for this device type and may deviate from the specific variant.

#### Dimensions and Enclosure Details

| Type                | External dimensions [mm] |     |     |     |     |     | Internal dimensions [mm] |     |       | Cover screws |      |             |
|---------------------|--------------------------|-----|-----|-----|-----|-----|--------------------------|-----|-------|--------------|------|-------------|
|                     | A                        | B   | C   | C2  | K   | K1  | D                        | E   | F     | Mx           | qty. | Torque [Nm] |
| SR.TFO.26.26.09.B.* | 260                      | 260 | 87  | 101 | 310 | 310 | 206                      | 206 | 51.5  | M6           | 4    | 3 - 3.5     |
| SR.TFO.26.26.16.B.* | 260                      | 260 | 160 | 174 | 310 | 310 | 206                      | 206 | 124.5 | M6           | 4    | 3 - 3.5     |
| SR.TFO.31.31.09.B.* | 310                      | 310 | 87  | 101 | 360 | 360 | 256                      | 256 | 51.5  | M6           | 4    | 3 - 3.5     |
| SR.TFO.31.31.16.B.* | 310                      | 310 | 160 | 174 | 360 | 360 | 256                      | 256 | 124.5 | M6           | 4    | 3 - 3.5     |

Values might differ slightly due to manufacturing tolerances

### Mounting Dimensions and Details

| Type                | Mounting [mm] |     |       |     |     |       |   |     |             |  |
|---------------------|---------------|-----|-------|-----|-----|-------|---|-----|-------------|--|
|                     | G             | G1  | G2    | H   | H1  | H2    | J | N   | screws qty. |  |
| SR.TFO.26.26.09.B.* | 225           | 295 | 212.5 | 225 | 295 | 212.5 | 7 | 8.5 | 4 (B)       |  |
| SR.TFO.26.26.16.B.* | 225           | 295 | 212.5 | 225 | 295 | 212.5 | 7 | 8.5 | 4 (B)       |  |
| SR.TFO.31.31.09.B.* | 275           | 345 | 262.5 | 275 | 345 | 262.5 | 7 | 8.5 | 4 (B)       |  |
| SR.TFO.31.31.16.B.* | 275           | 345 | 262.5 | 275 | 345 | 262.5 | 7 | 8.5 | 4 (B)       |  |

screws qty.: Quantity of screws for direct mounting, (B) = optional mounting brackets enclosed

### Cable Entries, Solutions without External Strain Reliefs

| Type                      | Splice trays qty. | Mass approx. [kg] | qty. | Cable entries faces C and D |                |                     |                |             |  |
|---------------------------|-------------------|-------------------|------|-----------------------------|----------------|---------------------|----------------|-------------|--|
|                           |                   |                   |      | Cable glands                |                |                     | Stopping plugs |             |  |
|                           |                   |                   |      | qty.                        | Type           | Clamping range [mm] | qty.           | Type        |  |
| SR.TFO.26.26.09.B.0-S0001 | 1                 | 5.4               | 3    | 1                           | CG.PEDS1.M20.* | 6 ... 12            | 2              | SP.PE.M20.* |  |
| SR.TFO.26.26.09.B.0-S0002 | 2                 | 5.4               | 3    | 2                           | CG.PEDS1.M20.* | 6 ... 12            | 1              | SP.PE.M20.* |  |
| SR.TFO.26.26.09.B.0-S0003 | 3                 | 5.5               | 3    | 3                           | CG.PEDS1.M20.* | 6 ... 12            | -              | -           |  |
| SR.TFO.26.26.16.B.0-S0004 | 4                 | 6.1               | 8    | 4                           | CG.PEDS1.M20.* | 6 ... 12            | 4              | SP.PE.M20.* |  |
| SR.TFO.26.26.16.B.0-S0005 | 5                 | 6.1               | 8    | 5                           | CG.PEDS1.M20.* | 6 ... 12            | 3              | SP.PE.M20.* |  |
| SR.TFO.26.26.16.B.0-S0006 | 6                 | 6.2               | 8    | 6                           | CG.PEDS1.M20.* | 6 ... 12            | 2              | SP.PE.M20.* |  |
| SR.TFO.26.26.16.B.0-S0007 | 7                 | 6.2               | 8    | 7                           | CG.PEDS1.M20.* | 6 ... 12            | 1              | SP.PE.M20.* |  |
| SR.TFO.26.26.16.B.0-S0008 | 8                 | 6.3               | 8    | 8                           | CG.PEDS1.M20.* | 6 ... 12            | -              | -           |  |

Mass is valid for basic enclosure, it will increase according to enclosure accessories, integrated components and entry devices

Cable glands and stopping plugs standard types: polyamide Ex e cable glands

For other types of cable glands and combinations of different gland sizes please contact Pepperl+Fuchs

### Cable Entries, Solutions with External Strain Reliefs

| Type                      | Splice trays qty. | Mass approx. [kg] | qty. | Cable entries faces C and D |                                  |                      |                |                            |  |
|---------------------------|-------------------|-------------------|------|-----------------------------|----------------------------------|----------------------|----------------|----------------------------|--|
|                           |                   |                   |      | Cable glands                |                                  |                      | Stopping plugs |                            |  |
|                           |                   |                   |      | qty.                        | Type                             | Clamping range [mm]  | qty.           | Type                       |  |
| SR.TFO.31.31.09.B.0-S0001 | 1                 | 7.5               | 3    | 3                           | CG.PEDS1.M20.*<br>CG.PEDS1.M25.* | 6 ... 12<br>9 ... 17 | -              | -                          |  |
| SR.TFO.31.31.09.B.0-S0002 | 2                 | 7.6               | 3    | 3                           | CG.PEDS1.M20.*<br>CG.PEDS1.M25.* | 6 ... 12<br>9 ... 17 | -              | -                          |  |
| SR.TFO.31.31.09.B.0-S0003 | 3                 | 7.6               | 3    | 3                           | CG.PEDS1.M20.*<br>CG.PEDS1.M25.* | 6 ... 12<br>9 ... 17 | -              | -                          |  |
| SR.TFO.31.31.16.B.0-S0004 | 4                 | 8.5               | 6    | 4                           | CG.PEDS1.M25.*                   | 9 ... 17             | 6<br>2         | SP.PE.M20.*<br>SP.PE.M25.* |  |
| SR.TFO.31.31.16.B.0-S0005 | 5                 | 8.6               | 6    | 5                           | CG.PEDS1.M25.*                   | 9 ... 17             | 6<br>1         | SP.PE.M20.*<br>SP.PE.M25.* |  |
| SR.TFO.31.31.16.B.0-S0006 | 6                 | 8.6               | 6    | 6                           | CG.PEDS1.M25.*                   | 9 ... 17             | 6              | SP.PE.M20.*                |  |
| SR.TFO.31.31.16.B.0-S0007 | 7                 | 8.7               | 8    | 7                           | CG.PEDS1.M25.*                   | 9 ... 17             | 1              | SP.PE.M25.*                |  |
| SR.TFO.31.31.16.B.0-S0008 | 8                 | 8.7               | 8    | 8                           | CG.PEDS1.M25.*                   | 9 ... 17             | -              | -                          |  |

Mass is valid for basic enclosure, it will increase according to enclosure accessories, integrated components and entry devices

Cable glands and stopping plugs standard types: polyamide Ex e cable glands

For other types of cable glands and combinations of different gland sizes please contact Pepperl+Fuchs

## Technical Data

### Mechanical specifications

|                   |  |
|-------------------|--|
| Enclosure cover   | fully detachable                               |
| Cover fixing      | stainless steel A4 (V4A) hexagonal head screws |
| Screws            | M6   |
| Number            | 4  |
| Tightening torque | 3 Nm - 3.5 Nm                                  |
| Cover seal        | silicone                                       |



## Type Code

|          |                                     |
|----------|-------------------------------------|
| <b>1</b> | <b>Enclosure type</b>               |
| SR       | stainless steel                     |
| <b>2</b> | <b>Type of solution</b>             |
| TFO      | fiber optice splice box (Ex op pr)  |
| <b>3</b> | <b>Height [cm]</b>                  |
| n        | see dimensions data table           |
| <b>4</b> | <b>Width [cm]</b>                   |
| n        | see dimensions data table           |
| <b>5</b> | <b>Depth [cm]</b>                   |
| n        | see dimensions data table           |
| <b>6</b> | <b>Cable entry face orientation</b> |
| B        | landscape, face [B] at bottom       |
| D        | portrait, face [D] at bottom        |
| <b>7</b> | <b>Gland plates</b>                 |
| 0        | none                                |
| 1        | one gland plate at bottom face      |
| <b>8</b> | <b>Variant</b>                      |
| S        | standard product                    |
| C        | configured product                  |
| Y        | engineered product                  |
| <b>9</b> | <b>Variant number</b>               |
| xxxx     | consecutive item number             |