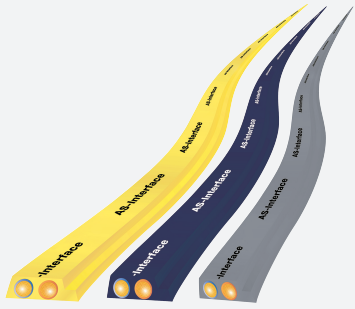


AS-Interface flat cable

VAZ-FK-*-*



- Cable piercing technique
- Resistant to environmental influence
- Resistant to bending
- Reverse polarity protected due to the shape of the cable
- Halogen-free (PVC-free) only type -S-
- Does not give off silicone
- Graduations in meters

AS-Interface flat cable

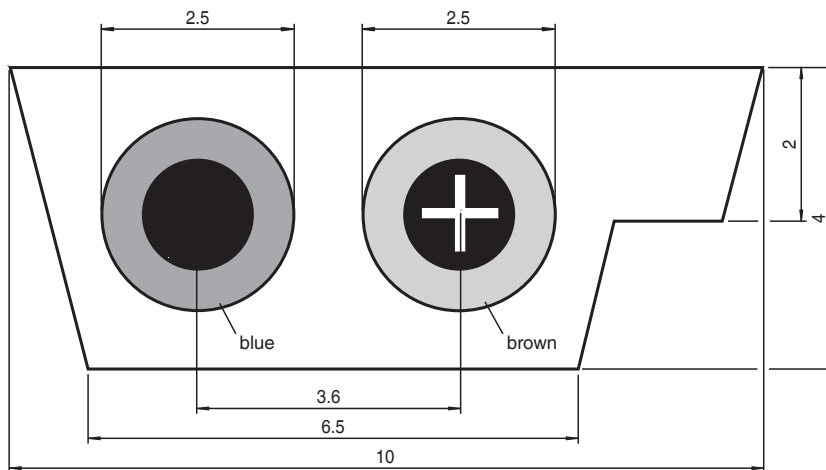


Product Versions

Model number	VAZ-FK-S-YE*	VAZ-FK-S-BK	VAZ-FK-S-GY-2,5MM	VAZ-FK-R-YE	VAZ-FK-R-BK	VAZ-FK-PUR-GY-2,5MM
Version	Standard			Oil resistant		
	AS-Interface	Ext. Auxiliary power up to 24 V	Ext. Auxiliary power up to 48 V	AS-Interface	Ext. Auxiliary power up to 24 V	Ext. Auxiliary power up to 48 V
Technical data						
Materials	Rubber mixture EM3 acc. to DIN VDE 0207 part 2			Termoplastic Elastomer (TPE)		PUR (TMPU)
Lead isolation	Rubber mixture acc. to DIN VDE 0207 part 20					TPM
Cable colour	yellow similar to RAL 1012	black similar to RAL 9005	grey similar to RAL 7001	yellow similar to RAL 1012	black similar to RAL 9005	grey similar to RAL 7040
General specifications						
UL file number	-			E130266		E48408

* Is also available with black SAFETY print (order code VAZ-FK-S-YE-SAFETY)

Dimensions



Technical Data


Electrical specifications	
Nominal voltage	24 V
Current loading capacity	According to DIN VDE 0298 Part 4, Table 6, Column 4
Ambient conditions	

Release date: 2022-06-17 Date of issue: 2022-06-17 Filename: t20416_eng.pdf

Technical Data

Conductor temperature	Operating mode: 90 °C (363 K) Short-circuit: 200 °C (473 K)
Ambient temperature	-40 ... 85 °C (-40 ... 185 °F) at standstill, -25 ... 85 °C (-13 ... 185 °F) in motion
Mechanical specifications	
Core cross section	Copper tin-plated, extra-fine wire, class 6 in accordance with DIN VDE 0295 cross-section 1.5 mm ²
Bending radius	min. permissible bend radii in accordance with DIN VDE 0298 Part 3, Table 2 Bending stress only permitted on the wide side of the cable
Tension loading	max. 50 N/mm ² on laying acc. to DIN VDE 0298 Part 3
Cable length	100 m , also, on request, 1000 m (Trommel)
Note	The cable is intended for use as a bus power line in inside areas. Only cable with a black sheathing is suitable for outside use.

Accessories

	VAZ-FK-ED3	AS-Interface end seal for flat cable
---	-------------------	--------------------------------------