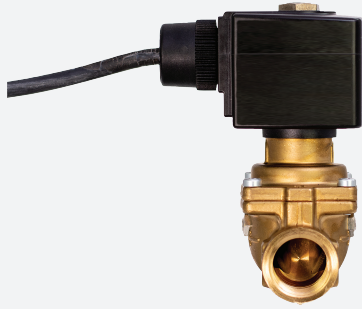


## 7500 Series manifold

7500-MAN-BK-\*\*-\*



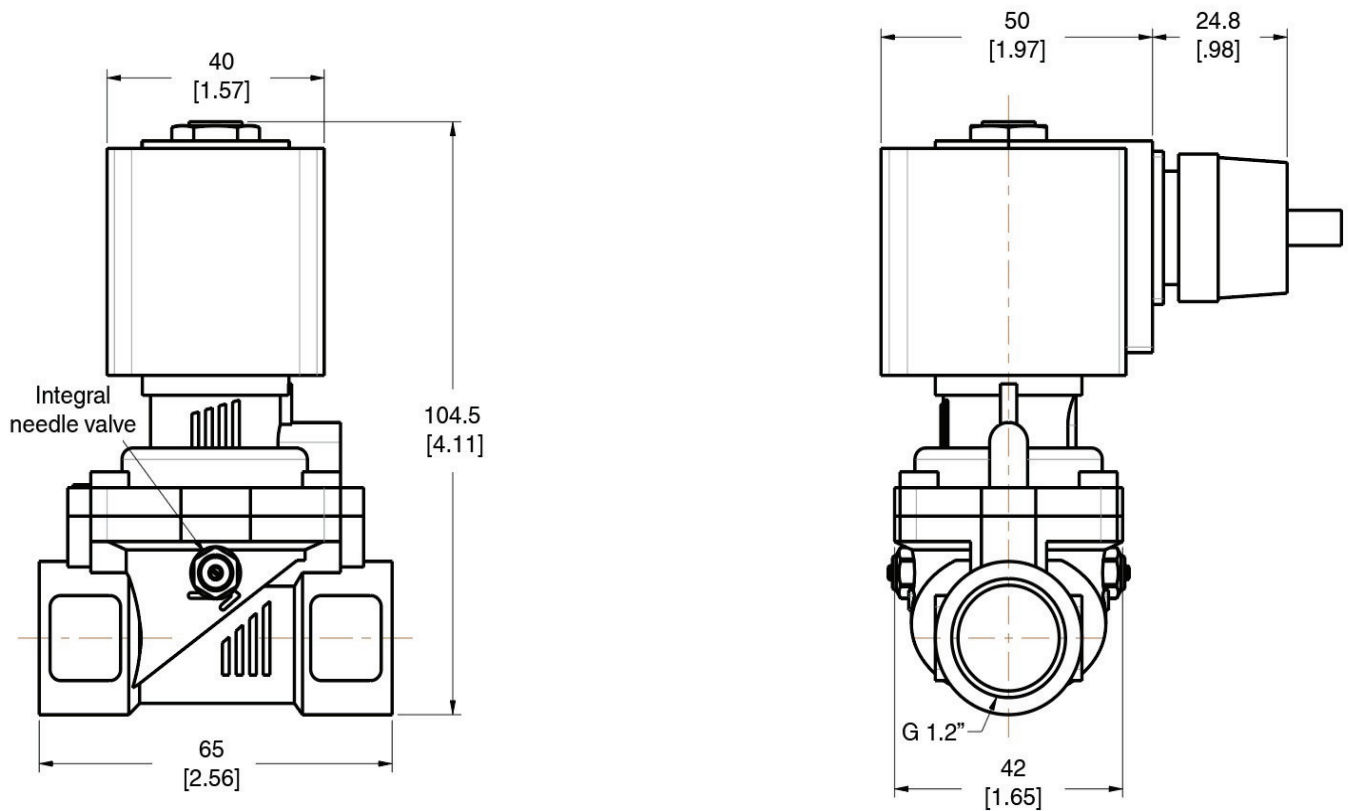
- Optional digital valve
- Compensates for pressure fluctuations
- 230 VAC, 115 VAC, or 24 VDC
- Contacts are powered by the 7500 control unit



### Function

The 7500 series Type Z/Ex pz purge and pressurization system allows general purpose equipment to be mounted in enclosures and operate safely in Division 2, Zone 2, or Zone 22 hazardous areas. The 7500 digital valve is used to pressurize the enclosure by adjusting an internal needle valve for pressure; purging of the enclosure is accomplished via a two-way valve. The 7500 control unit is set up to work with and power up the 7500 digital valve. The digital valve is Ex rated for hazardous areas. The 7500-MAN-BK-\*\*-\* digital valve works with the 7500 control unit and is ATEX and CCC certified for use in Zone 2 or Zone 22 applications.

### Dimensions



### Technical Data

#### General specifications

Series	7500
--------	------

Release date: 2025-06-18 Date of issue: 2025-06-18 Filename: t206165\_eng.pdf

## Technical Data

System		Type Z Purge ; Ex pzc Purge
Hazardous environment		gas or dust
<b>Supply</b>		
Rated voltage	U <sub>r</sub>	230 VAC ±10% 115 VAC ± 10% 24 VDC ±10%
Power consumption		230 VAC @ 1.8 W 115 VAC @ 9 W 24 VDC @ 9 W
<b>Pneumatic parameters</b>		
Protective gas supply		instrument grade air or inert gas
Pressure requirement		T6 version: 0.2 bar (2.9 psi) to 4.0 bar (58 psi) T4 version: 0.2 bar (2.9 psi) to 16 bar (232 psi)
Purge flow rate		K <sub>v</sub> value water 3.8 m <sup>3</sup> /h
Connections		G1/2 (13 mm)
<b>Ambient conditions</b>		
Ambient temperature		-40 ... 55 °C (-40 ... 131 °F)
Storage temperature		-40 ... 80 °C (-40 ... 176 °F)
<b>Mechanical specifications</b>		
Connection type		Inlet/outlet size: G 1/2 (13 mm) Jet size: 3.0 mm and 4.5 mm size (included)
Degree of protection		IP65
Material		<b>Body:</b> brass <b>Valve (internal):</b> brass <b>Seal:</b> NBR
<b>Data for application in connection with hazardous areas</b>		
EU-type examination certificate		
Marking		⊕ II 2 G Ex mb IIC T4/T6 Gb ⊕ II 2 D Ex mb IIC T130 °C / T80 °C Db Protection by encapsulation EPS 18 ATEX 1232 X
Certificate		CCC approvals
Marking		Ex mb IIC T4/T5/T6 Gb Ex mbD 21 T80°C/T95°C/T130°C
Directive conformity		
Directive 2014/34/EU		EN IEC 60079-0:2018, EN IEC 60079-7:2015/A1:2018, EN 60079-18:2015/A1:2017, EN 60079-31:2014
<b>International approvals</b>		
IECEx approval		IECEx EPS 18.0110X Ex mb IIC T4/T6 Gb Ex mb IIC T130 °C/T80 °C Db

## Type Code

### Structure of the type code

7500	-	MAN	-	BK	-	(1)	-	(2)
------	---	-----	---	----	---	-----	---	-----

<b>7500</b>	<b>Device type</b>
7500	7500 Series Purge System

<b>MAN</b>	<b>Manifold</b>
MAN	

<b>BK</b>	<b>Housing</b>
BK	Standard

<b>(1)</b>	<b>Voltage</b>
230VAC	230 V AC supply required
115VAC	115 V AC supply required
24VDC	24 V DC supply required

<b>(2)</b>	<b>Temperature rating</b>
T4	Available with 115 V AC and 24 V DC options

**Type Code**

(2)	Temperature rating
T6	Available with 230 VAC option