



# VisuNet FLX Edge Workstation

**\*\*\_EDGE-\*\_\*\_\***

- Class I, Division 1 solution with integrated 6000 Series Type X Purge & Pressurization system
- Class I, II, Division 2 and General Purpose solution without Purge & Pressurization system
- Fully modular design using VisuNet FLX HMI and EXTA4 keyboard options support field maintainability
- Available as Windows® PC or Thin Client with RM Shell, ThinManager Ready, or IGEL OS
- Watershed housing allows for proper drainage in outdoor or washdown environments
- Pedestal or wall mount option

## VisuNet FLX Edge Workstation

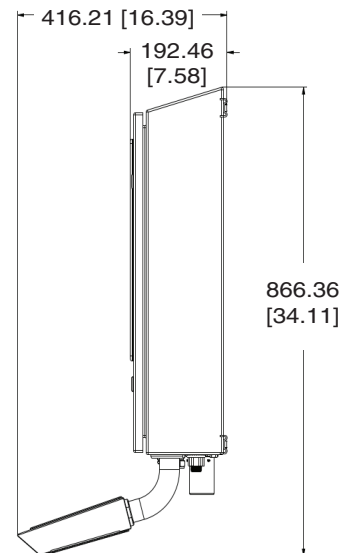
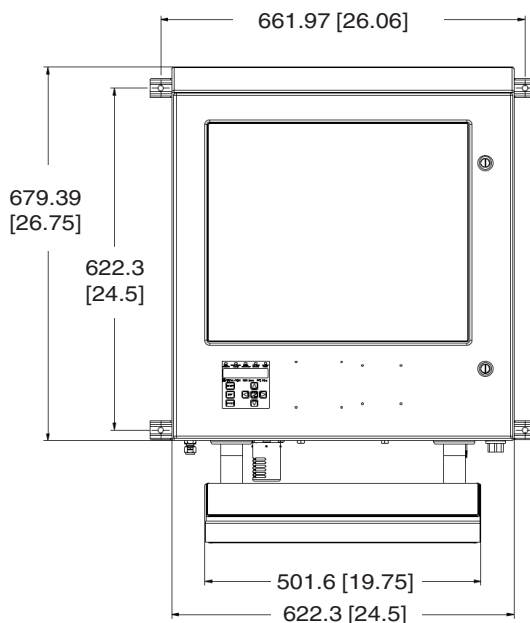


### Function

The VisuNet FLX Edge is a universal design that is well suited for many applications within the Process Automation industry. Specifically designed for manufacturing environments where dust, bacteria, water, and other undesirable materials might accumulate, the sloped enclosure provides washdown solutions with proper drainage to prevent accumulation of standing water. The formed lip enclosure opening prevents the flow of liquid or other contaminants from entering the enclosure. The watershed enclosure with optional extended keyboard housing is available with an integrated 6000 Series Type X Purge & Pressurization system that meets requirements for Division 1 hazardous location installations. Configurable options for display size, function, and mounting allow the unit to be uniquely tailored to the specific application within the plant.

### Dimensions

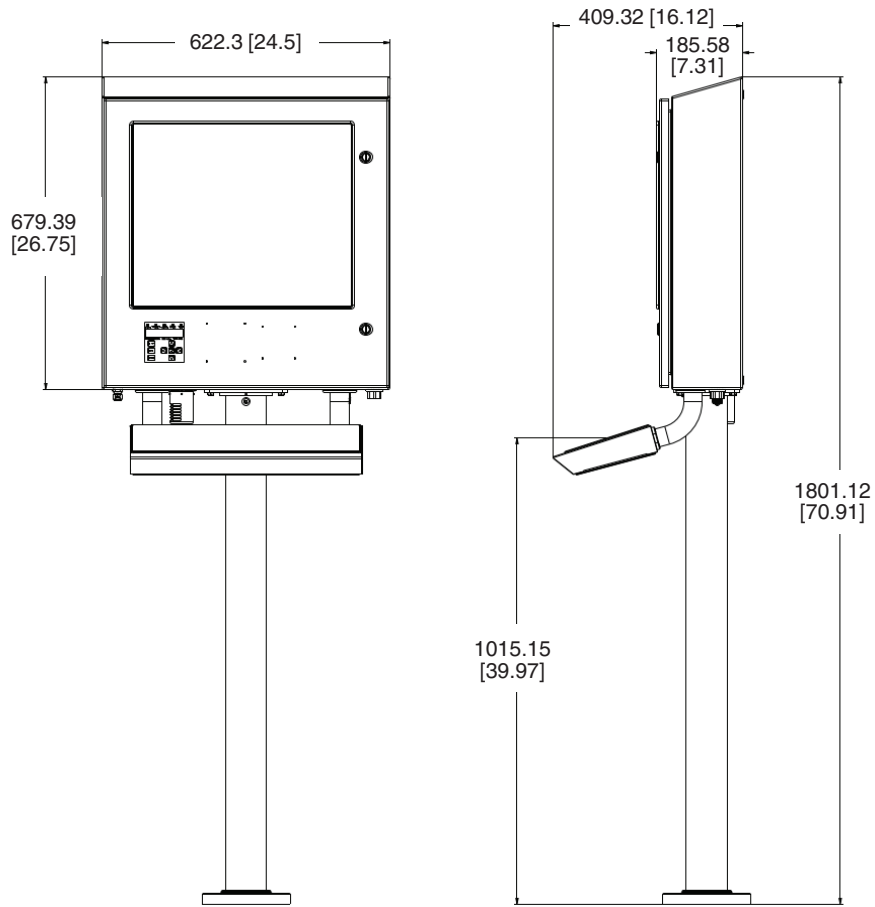
**19" wall-mount version:**



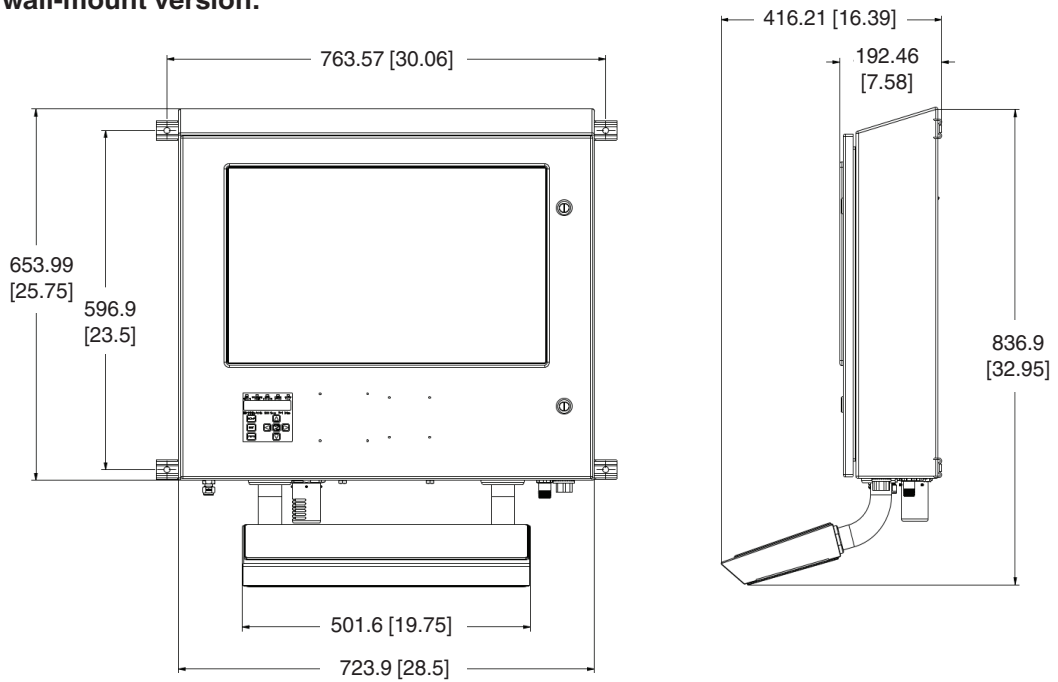
Release date: 2025-04-29 Date of issue: 2025-04-29 Filename: t207426\_eng.pdf

**Dimensions**

**19" pedestal version:**



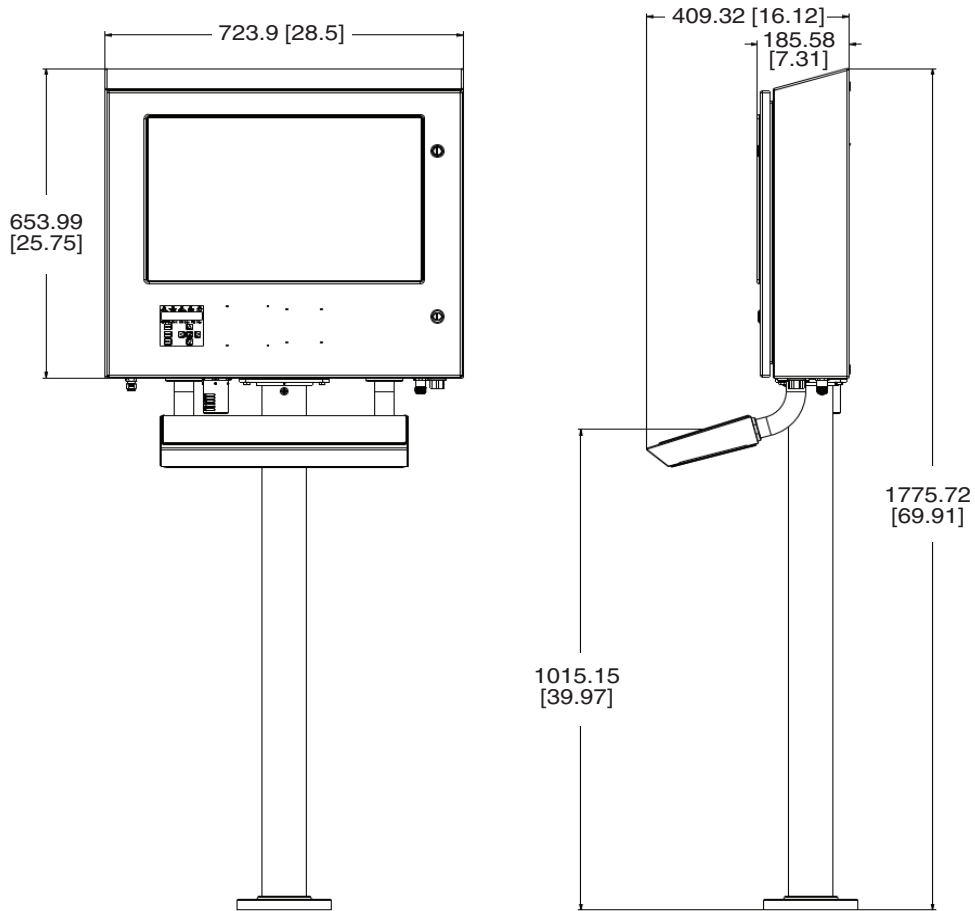
**21.5" wall-mount version:**



Release date: 2025-04-29 Date of issue: 2025-04-29 Filename: t207426\_eng.pdf

## Dimensions

### 21.5" pedestal version:



## Technical Data

General specifications	
Type	Personal Computer and Remote Monitor
Hardware	
Processor	Intel® Core™ i5-7300U Intel® Celeron™ 3965U
RAM	1x8 GB DDR4 (Thin Client or PC) 1x16 GB DDR4 (PC)
Mass storage	64 GB M.2 SATA III (Thin Client) 256 GB M.2 NVMe (PC) 512 GB M.2 NVMe (PC)
Supply	
Connection	Terminals
Power consumption	100 ... 240 VAC, 50 ... 60 Hz 20 ... 30 VDC
Indicators/operating means	
Display	
Type	Liquid Crystal Display (LCD) with LED backlight
Screen size	22FC: 54.61 cm (21.5") 19SC: 48.26 cm (19")
Resolution	22FC: 1920 x 1080 pixels (Full HD) Aspect Ratio (16:9) 19SC: 1820 x 1024 pixels (SXGA) Aspect Ratio (5:4)
Color depth	24 bit (16.7 M) color
Contrast ratio	Typically 22FC: 5000:1 19SC: 1000:1

Release date: 2025-04-29 Date of issue: 2025-04-29 Filename: t207426\_eng.pdf

**Technical Data**

Brightness	Configurable display options: 22FC: 300 cd/m <sup>2</sup> 19SC: 450 cd/m <sup>2</sup>
Viewing angle	22FC, 19SC: horizontal: 170°; vertical: 160°
Life span	Back lamp life (22FC, 19SC): 50,000 hrs typical half life, at 25 °C (77 °F)
Input devices	
Touch screen	Display Options: 10-finger multi-touch, glove friendly 22FC, 19SC: Capacitive touch, optical bonding
Keyboard	Optional: Foil keyboard with different pointing device options available (See EXTA4 datasheet.)
<b>Interface</b>	
Interface type	1 x DisplayPort 1.2 (DP++) 1 x mini DisplayPort 1.2 (DP++ w/ mono locking screw) 1 x Audio Line-out 2 x USB Ex i ports prepared for Pepperl+Fuchs intrinsically safe keyboard 2 x USB 3.1 Gen1 (5 Gbps) ports 1 x USB 2.0 port 2 x LAN ports (RJ45, 10/100/1000 Mbps) 2 x RS232/422/485 (BIOS configurable) with 5V/12V to power peripherals (1 x DB9 male + 1 x RJ45)
<b>Software</b>	
Operating system	PC: Microsoft® Windows® 10 IoT Enterprise 2021 LTSC (x64) Thin Client: Pepperl+Fuchs RM Shell 6 (based on Microsoft® Windows® 10 IoT Enterprise 2021 LTSC (x64), ThinManager Ready or IGEN OS
<b>Ambient conditions</b>	
Ambient temperature	-20 ... 50 °C (-4 ... 122 °F)
Storage temperature	-20 ... 65 °C (-4 ... 149 °F)
Relative humidity	max. relative humidity 93% at 40°C (non-condensing) according to EN60068-2-78
<b>Mechanical specifications</b>	
Degree of protection	Type 4X
Material	
Housing	304 (UNS S30400) stainless steel
Surface	Ra (max) = 64 µin
Mass	approx. 52.16 kg (115 lbs) Empty housing ; Varies with configuration
Dimensions	19" pedestal: 24.5" W. x 15.25" D x 70.5" H 19" wall-mount 24.5" W x 15.25" D x 34" H 22" pedestal: 28.5" W x 15.25" D x 70.5" H 22" wall-mount: 28.5" W x 15.25" D x 35" H
Mounting	Wall or pedestal mount
<b>International approvals</b>	
ETL approval	cETLus: 5003368
Approved for	Class I, Division 1, Groups A, B, C, D with 6000 Series Type X Purge Class I, II, Division 2, Groups A, B, C, D, F, and G without 6000 Series Type X Purge

**Technical Features**

Purge Data	
<b>General specifications</b>	
Series	6000
<b>Indicators/settings</b>	
LED indicator	Safe pressure: Blue (safe pressure is achieved) Enclosure power: Green (power on); Red (power off) Rapid exchange: Blue (purging is running) System bypass: Yellow (bypass is achieved) Alarm fault: Blinking Red (any alarm input detected) Solid Red (6000 series system fault)
<b>Pneumatic parameters</b>	
Protective gas supply	Instrument grade air or inert gas
Pressure requirement	20 ... 120 psig (1.4 ... 8.3 bar) (138 ... 827 kPa) regulated
Safe Pressure	Gas: 0.25" wc (6.4 mm wc) (0.625 mbar) (62 Pa)
Purge flow and enclosure pressure rate	5 SCFM @ 1.3" wc (141 l/min @ 33 mm wc) (3.3 mbar) (324 Pa) 12 SCFM @ 2.5" wc (340 l/min @ 64 mm wc) (6.3 mbar) (623 Pa)

Release date: 2025-04-29 Date of issue: 2025-04-29 Filename: t207426\_eng.pdf

## Technical Features

Flow rate for leakage compensation	0.01 SCFM (0.30 l/min) @ 0.25" 0.2 SCFM (5.6) l/min) @0.75" and up (depends on enclosure seal)
Purge time (4 volume exchange)	min = 2.00 min max = 2.60 min
<b>Mechanical specifications</b>	
Connection type	Pneumatic: Inlet fitting to manifold: 3/8" NPT (female) Outlet fitting from manifold: 3/8" bulkhead fitting (provided)
Note	For complete specifications of the purge system, see the datasheet for the 6000 Control System Type X & Ex px purge and pressurization system.

## Type Code

Structure of the type code

(1) (2)	-	(3) (4)	-	(5) (6) (7) (8)	-	(9) (10) (11) (12)	-	(13)
---------	---	---------	---	-----------------	---	--------------------	---	------

<b>1</b>	<b>Model</b>
RM-EDGE	Remote Monitor Edge Solution
PC-EDGE	PC Edge Solution

<b>2</b>	<b>Area Classification</b>
0	General Purpose / Non-Hazardous
1	Class I, Division 1 (Includes 6000 Purge & Pressurization System)
2	Class I/II, Division 2

<b>3</b>	<b>Display Unit</b>
22FC	21.5" (16:9), Full HD (1920x1080 pixel), Capacitive Touch w/ Optical Bonding
19SC	19" SXGA, (1280x1024 pixel), Capacitive Touch w/ Optical Bonding

<b>4</b>	<b>Power Supply</b>
A	115/230 V AC, 50-60 Hz
D	24 V DC (+/- 20%)

<b>5</b>	<b>Computing Platform</b>
1N	Intel Celeron 3965U (PC or Thin Client)
2N	Intel Core i5-7300U (PC)

<b>6</b>	<b>RAM</b>
L	1x8 GB DDR4 (Thin Client or PC)
M	1x16 GB DDR4 (PC)

<b>7</b>	<b>Storage</b>
N	None (ThinManager Ready Option Only)
L	64 GB M.2 SATA III (Thin Client)
P	256 GB M.2 NVMe (PC)
Q	512 GB M.2 NVMe (PC)

<b>8</b>	<b>Operating System &amp; Software</b>
3	Windows 10 IoT Enterprise 2021 x64 LTSC (PC)
4	RM Shell 6.x (based on Win 10 IoT LTSC) (Thin Client)
T	ThinManager Ready (Thin Client)
I	Linux IGEL OS 11
J	Linux IGEL OS 12

<b>9</b>	<b>Mounting / Housing Option</b>
F	Pedestal Mount Fixed (Pedestal Included)
T	Pedestal Mount Turnable (Pedestal Included)
W	Wall Mount

<b>10</b>	<b>Keyboard Option</b>
N	No Keyboard, No Mouse
C	Keyboard & Mouse Included

<b>11</b>	<b>Keyboard / Mouse Version</b>
K0	No Keyboard, No Mouse
K4	Capacitive Touchpad
K6	Joystick
K8	Optical Trackball

Release date: 2025-04-29 Date of issue: 2025-04-29 Filename: t207426\_eng.pdf

**Type Code**

12	Keyboard Language
L0	No Keyboard, No Layout
US	US-International Layout (QWERTY)

13	Keyboard Options
N0	Standard, No options
UV	UV-resistant front foil for outdoor use

Example: RM-EDGE1-22FCA-1NML4-TCK4US-N0