

# Industrial Box Thin Client

## BTC22-\*



- Industrial-grade box thin client for 24/7 operation
- Long-term support with product availability for more than 5 years
- Supports up to two modern Ultra HD (4K) monitors with 60 Hz
- Compact footprint

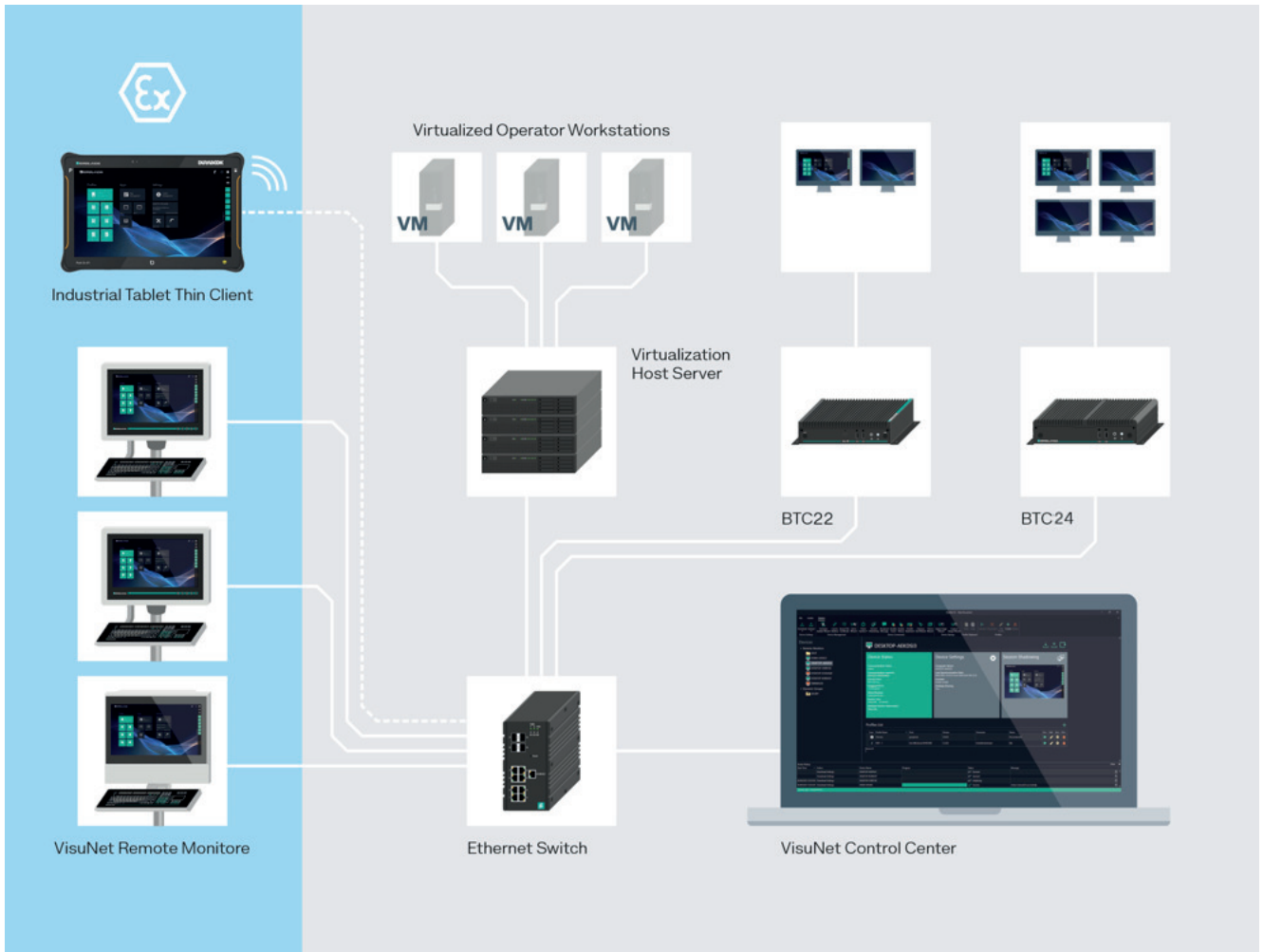
### Industrial Box Thin Client



### Function

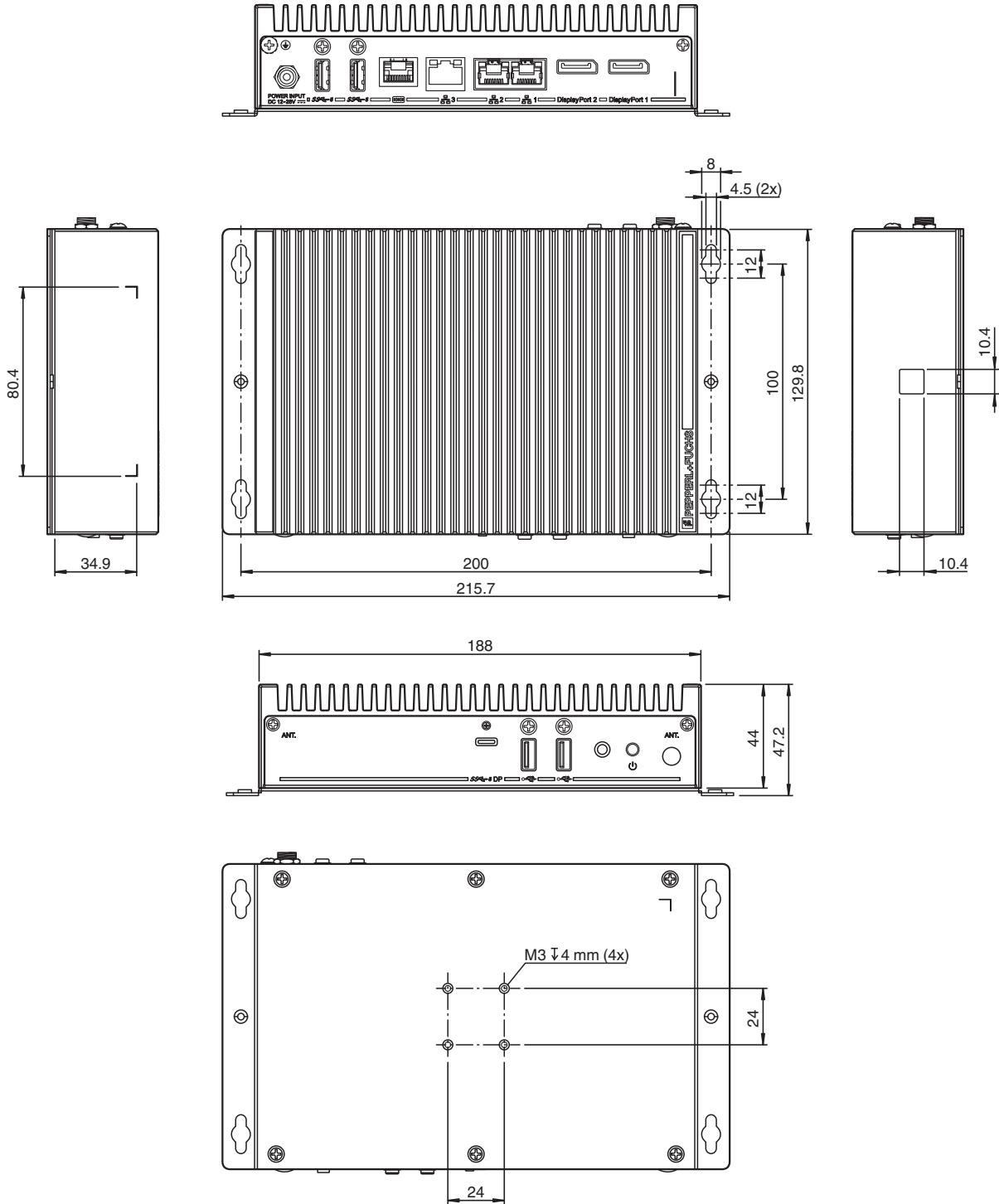
The BTC22 is a compact industrial box thin-client for use in harsh industrial environments. Its low profile and operating temperature range offer installation flexibility for automation cabinets, drawers in production, and in control rooms. An Intel® Atom processor supports modern operator workstation setups with up to two monitors. The DisplayPort interfaces support Ultra HD (4K) screens with 60 Hz.

### Function Principle



Release date: 2025-05-14 Date of issue: 2025-05-14 Filename: t212985\_eng.pdf

**Dimensions**



**Technical Data**

<b>Hardware</b>	
Processor	Intel Atom x6413E
RAM	8 GB DDR4
Mass storage	64 GByte eMMC TLC
<b>Supply</b>	
Power supply	Input voltage: 12 ... 28 V DC Input current: 1 A - 2 A Input via 2.5 mm power socket
<b>Interface</b>	

Release date: 2025-05-14 Date of issue: 2025-05-14 Filename: t212985\_eng.pdf

## Technical Data

Interface type	<b>Front side:</b> 1x USB 3.2 Gen 1 w/ DP alt mode, Type C 2x USB 2.0 Type A, power button, audio line out  <b>Back side:</b> 3x 1000Base-T Ethernet, 2x DisplayPort 1.4, 1x DC (DC jack 5.5 x 2.5 mm with lock mechanism), 2x USB 3.2 Gen 1 Type A, 1x RS-232/RS-485 with RJ45 connector	
<b>Directive conformity</b>		
Electromagnetic compatibility		
Directive 2014/30/EU	EN 61326-1:2013 EN 55032:2015, AC:2016 EN 55035:2017	
RoHS		
Directive 2011/65/EU (RoHS)	EN 50581:2012-09	
<b>Software</b>		
Operating system	1-: VisuNet RM Shell 6 (based on Windows® 10 IoT Enterprise LTSC 2021 x64) <b>Optional:</b> J-: IGEL OS 12 (based on Linux, pre-installed without licence) T-: ThinManager Ready	
<b>Ambient conditions</b>		
Operating temperature	0 ... 55 °C (32 ... 131 °F)	
Storage temperature	-20 ... 60 °C (-4 ... 140 °F)	
Relative humidity	≤ 95 % at 60 °C (non-condensing acc. to EN 60068-2-78)	
Shock resistance	40 g (11 ms) when operating 80 g (11 ms) when not operating	
Vibration resistance	3 g <sub>rms</sub> 5 ... 500 Hz	
<b>Mechanical specifications</b>		
Degree of protection	IP40	
Mass	1.32 kg	
Dimensions	216 mm x 130 mm x 47 mm	
Mounting	Desktop or wall mounting, VESA mount (100 x 100 mm and 75 x 75 mm) and DIN-rail mounting via optional adapter	
Note	passive cooling , no moving parts <b>Power supply not included.</b>	
<b>International approvals</b>		
UL approval	"UL Listed" for Canada and USA, E223772 (Ordinary Location)	
Approved for	CE (EN61326-1/ EN55032/ EN55035 Class A) FCC Class B and ICES-003 Issue 7	

## Type Code

### BTC22-\*

BTC22-	(1)	(2)-	(3)	(4)	(5)	(6)-	(7)
--------	-----	------	-----	-----	-----	------	-----

Model	
BTC22-	Box Thin Client

(1)	Certification
N	CE & FCC + UL Ordinary Location

(2)-	Operating Temperature
A-	Standard Operating Temperature Range 0 ... 55 °C
B-	Extended Operating Temperature Range -20 ... 60 °C

(3)	CPU
1	Intel® Atom x6413E

(4)	RAM
B	8 GB for Standard Temperature Range
L	8 GB for Extended Temperature Range

## Type Code

(5)	Storage
N	None
A	64-GB eMMC

(6)-	Operating System
N-	None
1-	VisuNet RM Shell 6
J-	IGEL OS 12 (based on Linux)
T-	ThinManager Ready

(7)	Expansions
NN0	None

### Example:

BTC22-	N	A-	1	B	A	1-	NN0
--------	---	----	---	---	---	----	-----

## Accessories

Accessories for this product can be found on the internet at [www.pepperl-fuchs.com](http://www.pepperl-fuchs.com).