



Direct Monitor - System with Enclosure

VisuNet FLX

DM-320S-*B-*

- Designed for use in the extended temperature range of -20 °C ... 50 °C with rugged aluminum housing
- Suitable for outdoor use with various sunshield options
- Fully modular design allowing easy migration of individual components
- High application flexibility due to identical basic components that can be configured as required

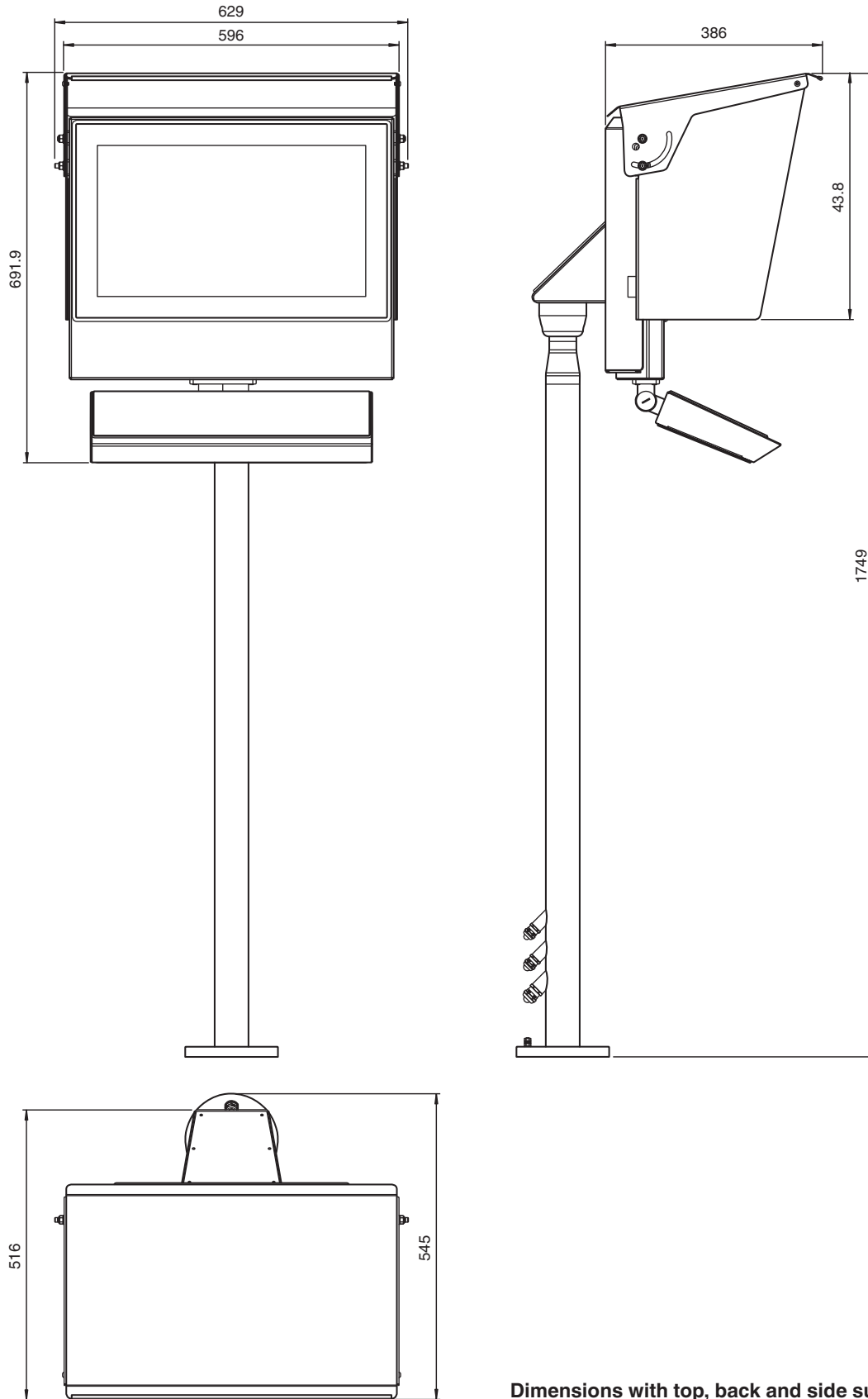
Direct Monitor - System with Enclosure



Function

The VisuNet FLX Systems are designed for Zone 2/22 (Div. 2) and non-Ex applications. The VisuNet FLX's rugged aluminum enclosure provides optimized thermal conductivity for improved heat transfer and temperature management. The high corrosion resistance of the housing makes the VisuNet FLX platform attractive for industries with high ambient temperatures, such as manufacturing, oil & gas, water & wastewater, and loading & filling. Industries such as life science, (petro)chemical and pharmaceutical also benefit from the advantages of the aluminum variant of the VisuNet FLX. The various mounting and configuration options provide maximum application flexibility. Thanks to its fully modular design, the new platform, which is tailored to the needs of the (petro)chemical and pharmaceutical industries, the HMIs can be configured to fit exactly and allow for easy and quick adjustments in the field. The modern, compact design requires less installation space. The low weight allows for cost-effective and easy installation.

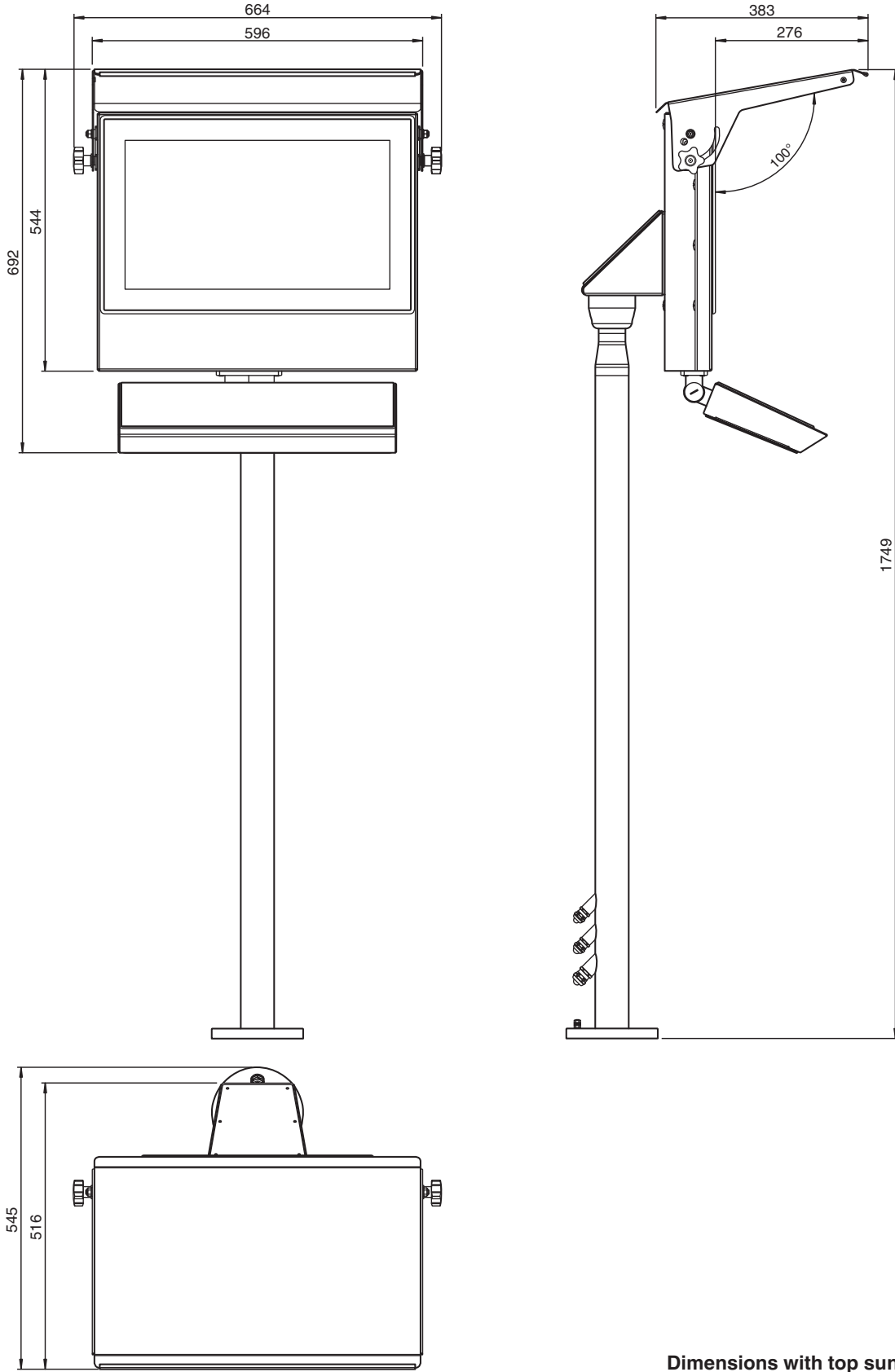
Dimensions



Dimensions with top, back and side sunshields

Release date: 2025-06-20 Date of issue: 2025-06-20 Filename: t215346_eng.pdf

Dimensions

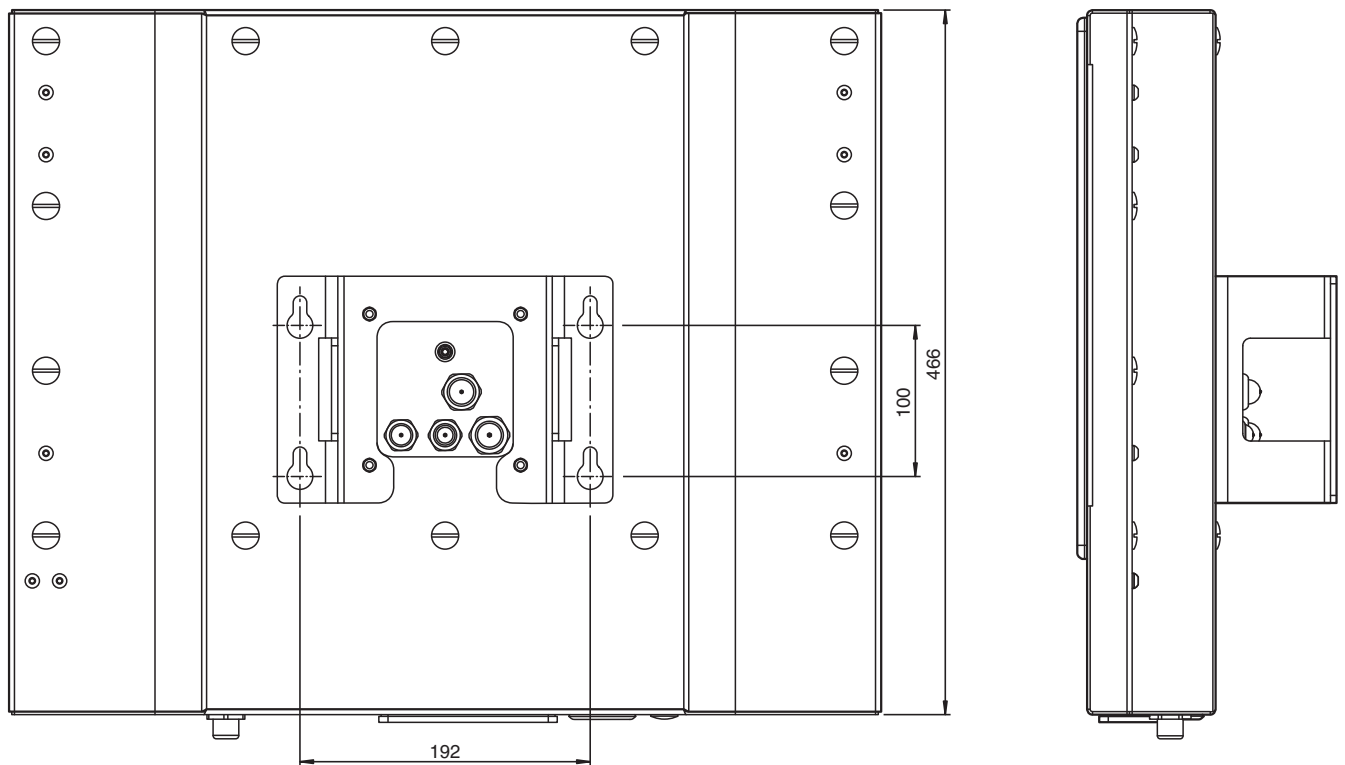
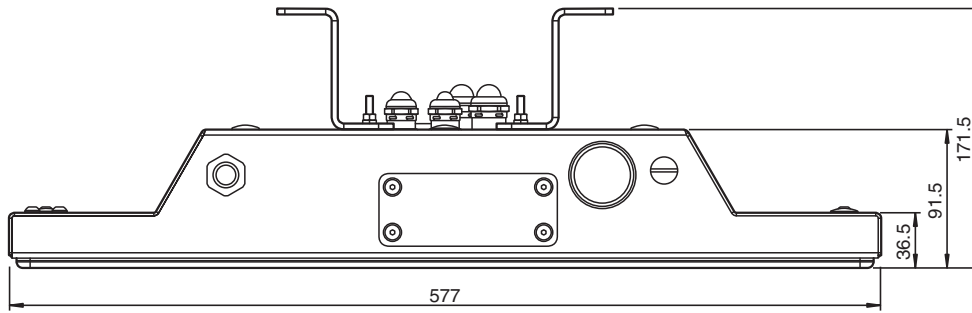


Dimensions with top sunshield

Release date: 2025-06-20 Date of issue: 2025-06-20 Filename: t215346_eng.pdf

Dimensions

Dimensions for Wall Mounting Bracket



Release date: 2025-06-20 Date of issue: 2025-06-20 Filename: t215346_eng.pdf

Technical Data

General specifications	
Type	Direct Monitor
Supply	
Power consumption	
AC	115/230 V a.c. (100 ... 240 V a.c.), max. 0.4 A , max. 40 W For connections designation refer to the Power Supply PS1000-A6-24.5 manual.
DC	20 ... 28 V d.c. / 1.5 A (SELV/PELV or class 2) For connections designation refer to the VisuNet FLX Panel Mount manual.
Indicators/operating means	

Technical Data

Display		
Type		Liquid Crystal Display (LCD) with LED backlight
Screen size		54.61 cm (21,5 ")
Resolution		1920 x 1080 pixels (Full HD) Aspect ratio 16:9
Color depth		24 bit (16.7 M) color
Contrast ratio		22FC: 5000:1
Brightness		22FC: 300 cd/m ²
Viewing angle		22FC: 170 ° horizontal, 160 ° vertical
Life span		22FC: back lamp life: 50.000 hrs typical half life, at 25 °C (77 °F)
Input devices		
Touch screen		10-finger multi-touch, glove-friendly Configurable display options: 22FC: Capacitive touch, optical bonding
Keyboard		Optional: Foil keyboard with different pointing device options available (see EXTA4 datasheet)
Interface		
Interface type		1x Power input w/ 3 pin terminal block 1x HDMI 1x DVI-I 1x VGA 1x USB 1x 3,5mm audio jack (Line-out) 1x OSD Menu w/ power button
Directive conformity		
Electromagnetic compatibility		
Directive 2014/30/EU		EN 61326-1:2013 (ind. Locations) EN 61000-6-4:2007+A1:2011
Explosion protection		
Directive 2014/34/EU		EN IEC 60079-0:2018 EN IEC 60079-7:2015/A1:2018 EN IEC 60079-31:2024
RoHS		
Directive 2011/65/EU (RoHS)		EN IEC 63000:2018
Ambient conditions		
Operating temperature		-20 ... 50 °C (-4 ... 122 °F)
Storage temperature		-20 ... 65 °C (-4 ... 149 °F)
Relative humidity		max. relative humidity 93% at 50°C (non-condensing) according to EN60068-2-78
Climatic conditions		Passive cooling, no rotating parts.
Altitude		Operating altitude max. 2000 m
Shock resistance		18 shocks 15 g, 11 ms all axis, IEC 60068-2-27
Vibration resistance		10 ... 150 Hz, +/- 0.075 mm, 1g, 10 cycles per axis according to EN60068-2-6
Mechanical specifications		
Degree of protection		IP66/Type 4X
Material		Housing: Powder-coated marine-grade aluminum alloy (EN AW-5754)
Installation		System with enclosure
Mass		Approx. 11.4 kg Approx. 13.4 kg with AC power supply with top sunshield: + Approx. 1.6 kg with top and side sunshield: + Approx. 3 kg
Dimensions		577 mm x 466 mm x 233 mm
International approvals		
UL approval		

Technical Data

Approved for	UL OrdLoc UL approval E223772 UL61010-1 Ed.3 UL 61010-2-201 Ed2 CAN/CSA C22.2 No 61010-1-12 CAN/CSA C22.2 No 61010-2-201
	UL HazLoc Mounting in CL I, DIV 2, GP A-D, T4 CL II, DIV 2, GP F, G, T4 CL III Mounting in CL I, ZN 2, IIC, T4 CL II, ZN 22, IIIB, T85°C CL III, ZN 22, IIIA, T85°C
ATEX approval	
ATEX certificate	UL 22 ATEX 2481X
ATEX marking	II 3 G Ex ec [ic] IIC T4 Gc II 3 D Ex tc IIIC T85°C Dc
IECEX approval	
IECEX certificate	IECEX ULD 22.0019X
IECEX marking	Ex ec IIC T4 Gc Ex tc IIIC T85°C Dc
IECEX standard	IEC 60079-0:2017 Ed 7.0 IEC 60079-7:2017 Ed 5.1 IEC 60079-31:2013 Ed. 3

Type Code

DM-320S-*

DM-320S-	(1)	(2)-	K(3)-	(4)-	(5)	(6)-	(7)
-----------------	------------	-------------	--------------	-------------	------------	-------------	------------

Model

DM-320S-	Direct Monitor - "System with Enclosure"
----------	--

(1) Ex Protection

N	Industrial, general purpose (non-ex)
L	ATEX & IECEX Zone 2/22 and Class I, II, III Div 2

(2)- Temperature

B-	-20 °C ... 50 °C
----	------------------

(3)- Display unit

22FC-	21.5 " (16:9), Full HD (1920 x 1080), capacitive touch, optical bonding
-------	---

(4)- Power supply unit

D-	24 V DC
A-	115/230 V AC, 50-60 Hz

(5) Computing platform

VNNNN	DMU - Video interfaces: DisplayPort, DVI, VGA - standard option
-------	---

(6)- Housing

A1-	Powder-coated aluminum alloy enclosure
-----	--

(7) Options

NN0	Standard
-----	----------

Example:

DM-320S-	R	B-	22FC-	A-	VNNNN	A1-	NN0
-----------------	----------	-----------	--------------	-----------	--------------	------------	------------