



Operator Workstation (PC)

VisuNet GXP PC Zone 1/21 (2024 Generation)

PC-GXP1100-22F-* -P5/P6*

- 21.5" (54.61 cm) display
- 16:9 aspect ratio widescreen formatting to match engineering stations
- PC solution with pre-installed Windows® operating system
- Lightweight design
- Full HD Resolution
- Completely modular system for easy field maintainability
- Flush or bezel mounting options
- IP66 rating for each individual component and entire system with housing
- Certified for ATEX and IECEx Zone 1/21

VisuNet GXP PC Zone 1/21 (2024 Generation, Intel® Atom Elkhart Lake Processor)



Function

The VisuNet GXP PC (PC-GXP1100-22F*/PC-GXP1200-22F*) is a lightweight modular operator workstation for use in explosion-hazardous areas according to ATEX and IECEx Zone 1/21.

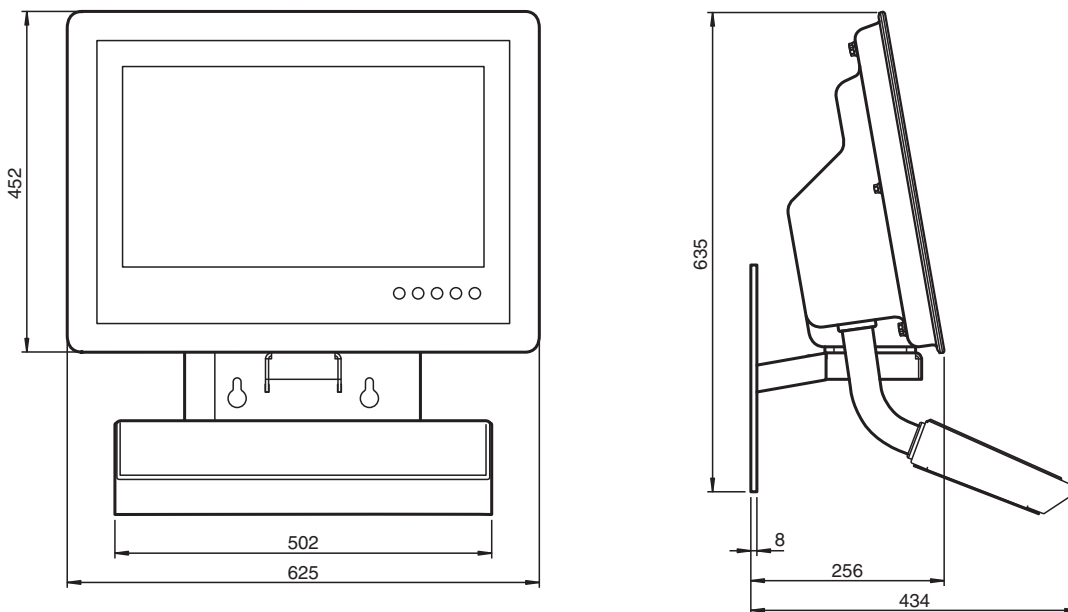
The system assembly consists of three core components that are fieldreplaceable by the customer.

The display unit (DPU1100-*/DPU1200-*) is a hazardous-location rated display panel with an optional 10 finger multitouch sensor. The display and touchsensor are optically bonded with the hardened front glass. Optionally, an integrated RFID reader can be configured within the display unit for identification and authentication purposes.

The PC unit (PCU1100-*/PCU1200-*) is a hazardous-location rated computing unit that runs a pre-installed Microsoft Windows operating system. The PC unit allows users to install individual software packages such as SCADA applications to visualize and control their automation application. The power supply units (PSU1100-*/PSU1200-*) are hazardous-location rated power supplies that provide the PCU and DPU devices with 24 V DC power.

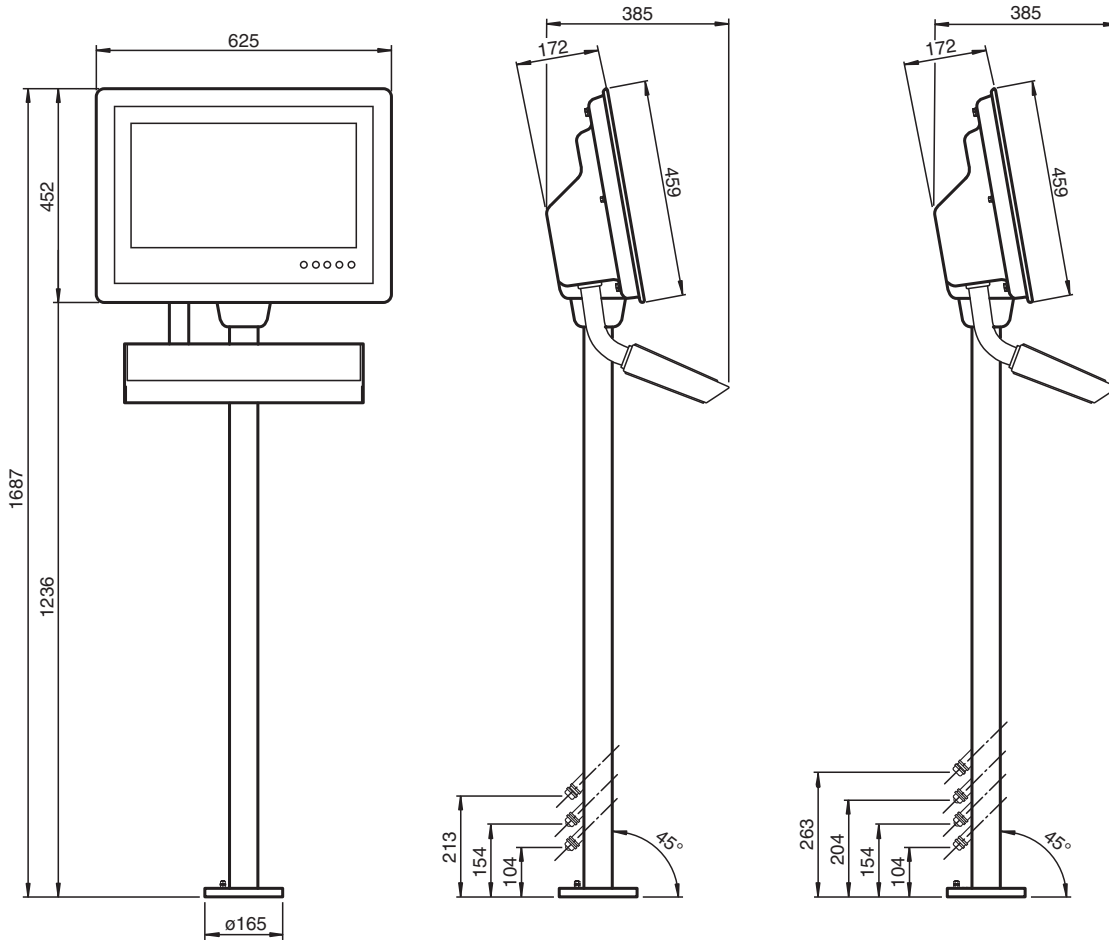
As a standard mounting option, a bezel is available that allows the panel to be mounted into the system housing or into a cabinet (requires mounting kit). The panel can also be flush-mounted into a cabinet from the back with additional mounting brackets.

Dimensions



Release date: 2025-03-18 Date of issue: 2025-03-18 Filename: t217610_eng.pdf

Dimensions



Technical Data

General specifications	
Type	Personal Computer
Hardware	
Processor	Intel® Atom Elkhart Lake x6425RE
RAM	8 GB
Mass storage	240 GByte industrial grade SSD optional: 480 GByte SSD
Supply	
Power consumption	
AC	115/230 V AC, 0.4 ... 0.7 A, 50/60 Hz
DC	18 ... 36 V DC, 1.5 ... 3 A
Indicators/operating means	
Display	
Type	Liquid Crystal Display (LCD) with LED backlight
Screen size	54.61 cm (21.5 inch)
Resolution	1920 x 1080 pixels (Full HD) Aspect ratio 16:9
Color depth	24 bit (16.7 M) color
Contrast ratio	5000:1 (typically)
Brightness	300 cd/m ² (nit)
Viewing angle	175° in all directions
Life span	back lamp life: 50.000 hrs typical half life, at 25 °C (77 °F)
Input devices	
Touch screen	optional: projective capacitive; 10 finger multi-touch, glove friendly

Release date: 2025-03-18 Date of issue: 2025-03-18 Filename: t217610_eng.pdf

Technical Data

Keyboard	Foil keyboard with different pointing device options available (see EXTA4 datasheet)
Interface	
Interface type	<p>Standard:</p> <ul style="list-style-type: none"> 1 x Ethernet 100/1000BASE-TX (Ex e) or 1 x fiber optic 1000BASE-SX (Multimode) or 1 x fiber optic 1000BASE-LX (Singlemode), 1 x USB 2.0 (Ex e; service port), 2 x USB 1.1 (Ex i; intended for Pepperl+Fuchs keyboard and mouse), 1 x DC or AC power in (via power supply unit) <p>Optional:</p> <p>"interface 3": 1 x barcode reader interface for wired 1-D scanners IDM-160-D*, IDM-Z1-160-D-* and IDM-164-D-* and base station IDMX61-B*, IDM-Z1-x61-B* and IDM-Z1-x64-B* (Ex i)</p> <p>"interface 4": 1 x barcode reader interface for wired 2-D scanner IDM-Z1-260-D* and IDM-Z1-264-D* (Ex i)</p> <p>"interface 5": 1 x RS-232 interface with Power Supply for miscellaneous devices and peripherals (Ex i)</p> <ul style="list-style-type: none"> 1 x RS-232 (Ex e) 1 x RS-485 (Ex e) 1 x Ethernet 100/1000Base-TX (Ex e) <p>Bluetooth v4.0, communication distance up to 30 m in open terrain, transmission power +8 dBm, transmission frequency 2.402 ... 2.48 GHz</p>
Directive conformity	
Electromagnetic compatibility	
Directive 2014/30/EU	EN 61326-1:2013 (industrial locations) Non-Bluetooth / non-RFID products only
Radio and telecommunication terminal equipment	
Directive 2014/53/EU	<p>EN 61326-1:2013 EN 300 328 V2.2.2:2019 EN 301 489-1 V2.2.0:2017 EN 301 489-17 V3.2.0:2017 Bluetooth products only</p> <p>EN 61326-1:2013 EN 301489-1 V2.2.3:2019 EN 301489-3 V2.3.2:2023 EN 300 330 V2.1.1:2017 EN 61010-1:2010 EN 62479 :2010 EN 62311:2008 RFID products only</p>
RoHS	
Directive 2011/65/EU (RoHS)	EN IEC 63000:2018
Software	
Operating system	Windows® 10 IoT Enterprise LTSC 2021 x64
Ambient conditions	
Operating temperature	-20 ... 50 °C (-4 ... 122 °F) Display might react sluggishly below 0 °C
Storage temperature	-20 ... 60 °C (-4 ... 140 °F)
Relative humidity	93% at 40°C, non-condensating, according to EN60068-2-78
Altitude	Operating altitude max. 2000 m
Shock resistance	18 shocks 15 g , 11 ms all axis, IEC 60068-2-27
Vibration resistance	10 ... 150 Hz, +/- 0.075 mm , 1g, 10 cycles per axis according to EN60068-2-6
Mechanical specifications	
Degree of protection	IP66 (individual components and entire system with housing)
Material	<p>Internal:</p> <p>Panel: anodized aluminum (TCU, PCU, PSU), powder coated aluminum (DPU)</p> <p>External:</p> <p>Bezel: stainless steel AISI 304 (1.4301)</p> <p>System housing H4: stainless steel AISI 304 (1.4301), bead blasted, typical surface roughness Ra = 1.6 µm</p>
Installation	<p>Flush-mount installation (requires customized mounting kit)</p> <p>Panel-mount installation into system housing with bezel</p> <p>Panel-mount installation into cabinet with Bezel and standard mounting kit</p>

Technical Data

Mass	Panel (DPU with bezel, TCU, PSU DC): approx. 23 kg Panel (DPU with bezel, TCU, PSU AC): approx. 24 kg System housing (AG-XX00): approx. 11 kg
Dimensions	Panel (DPU with bezel, TCU, PSU DC): 625 mm x 459 mm x 120 mm Panel (DPU with bezel, TCU, PSU AC): 625 mm x 459 mm x 137 mm Panel with system housing: 625 mm x 459 mm x 173 mm Panel cut-out dimensions: 583 mm x 417 mm (installation surface)
Data for application in connection with hazardous areas	
EU-type examination certificate	BVS 17 ATEX E 036 X
Marking	Ⓜ II 2G Ex eb q ib [ib] IIC T4 IP66 Gb Ⓜ II 2D Ex tb [ib] IIIC T85°C IP66 Db
Directive conformity	
Directive 2014/34/EU	EN IEC 60079-0:2018 EN 60079-5:2015 EN IEC 60079-7:2015+A1:2018 EN 60079-11:2012 EN 60079-31:2014
International approvals	
IECEx approval	IECEx BVS 17.0029X
Approved for	Ex eb q ib [ib] IIC T4 IP66 Gb Ex tb [ib] IIIC T85°C IP66 Db
Standards	IEC 60079-0:2017, Ed. 7.0 IEC 60079-5:2015, Ed. 4 IEC 60079-7:2017, Ed. 5.1 IEC 60079-11:2011, Ed. 6.0 IEC 60079-31:2013, Ed. 2.0

Type Code

PC-GXP 22 inches

PC-GXP	(1)	(2)	(3)	(4)-	(5)-	(6)	(7)	(8)	(9)-	(10)-	(11)
--------	-----	-----	-----	------	------	-----	-----	-----	------	-------	------

Model	
PC-GXP	VisuNet GXP Personal Computer System

(1)	Zone
1100-	Zone 1/21
1200-	Zone 2/22

(2)	Display Unit
22F	21.5 inches (16:9), Full HD (1920 x 1080 pixel)

(3)	Front Glass & Touch
N	Anti-glare security glass, no touch
C	Anti-glare security glass, projective capacitive 10-finger multitouch

(4)-	Interfaces
1-	5x capacitive system front keys
2-	5x capacitive system front keys and Bluetooth® interface
3-	5x capacitive system front keys and Bluetooth interface and RFID Reader (w/ LEGIC support) (AC Option only)

(5)-	Power Supply Unit
D-	18 ... 36 V DC
A-	115/230 V AC, 50/60 Hz

(6)	Interfaces
E	1 x 1000BASE-T LAN Ex e, 1x USB Ex e, 2x USB Ex i
S	1 x 1000BASE-SX fiber optic (Multimode), 1x USB Ex e, 2x USB Ex i
L	1 x 1000BASE-LX fiber optic (Single mode), 1x USB Ex e, 2x USB Ex i

(7)	Module A
N	No additional interface module
1	1 x RS-232 Ex e
2	1 x RS-485 Ex e
3	1 x Ex i interface for wired 1-D barcode readers IDM-160-D*, IDM-Z1-160-D*, IDM-Z1-164-D* and base station IDMx61-B*, IDM-Z1-x61-B* and IDM-Z1-x64-B*
4	1 x Ex i interface for 2-D barcode readers IDM-Z1-260-D* and IDM-Z1-264-D*
5	1 x RS-232 Ex i interface for miscellaneous devices and peripherals

Type Code

(7) Module A	
E	1 x 1000BASE-T LAN Ex e

(8) Module B	
N	No additional interface module
1	1 x RS-232 Ex e
2	1 x RS-485 Ex e
3	1 x Ex i interface for wired 1-D barcode readers IDM-160-D*, IDM-Z1-160-D*, IDM-Z1-164-D* and base station IDMx61-B*, IDM-Z1-x61-B* and IDM-Z1-x64-B*
4	1 x Ex i interface for 2-D barcode readers IDM-Z1-260-D* and IDM-Z1-264-D*
5	1 x RS-232 Ex i interface for miscellaneous devices and peripherals
E	1 x 1000BASE-T LAN Ex e

(9) Computing Platform	
P5-	Intel® Elkhart Lake x6425RE, 8-GB RAM, 240-GB SSD, Windows® IoT Enterprise LTSC 2021
P6-	Intel® Elkhart Lake x6425RE, 8-GB RAM, 480-GB SSD, Windows® IoT Enterprise LTSC 2021

(10)- Housing	
NN-	No bezel, prepared for flush mounting
S1-	Bezel; prepared for panel mounting or into AG-XX00 housing
H4-	Installed into GXP Housing AG-XX00 (SS304), front opening, surface finish 1.6-µm bead blasted

(11) Options	
N0	Standard, no options

Example:

RM-GXP	1100-	22F	N	1-	D-	E	N	N	P5-	S1-	N0
--------	-------	-----	---	----	----	---	---	---	-----	-----	----