



7500 Series Control Unit mounting brackets

7500-ACC-BKT-*

- Angle bracket for mounting the 7500-01 control unit with or without 5500-MAN manifold to the enclosure
- Includes mounting bolts, nuts, and sealing washer for Type 4X degree of protection
- 316 stainless steel
- One bracket for top, bottom, side mounting option

The 7500-ACC-BKT bracket provides easy installation of the 7500-01 control unit to an enclosure, with or without 5500-MAN manifold (not included).

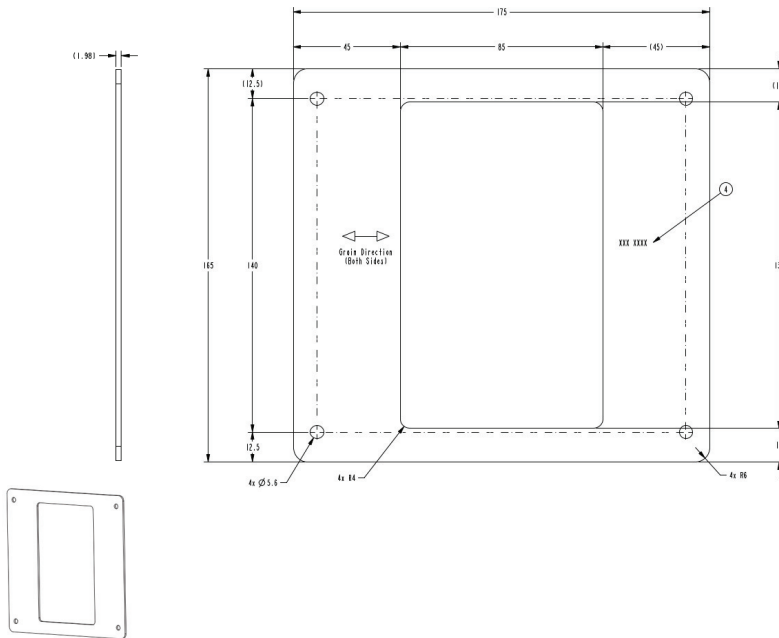


Function

The 7500-ACC-BKT-... is designed to mount the 7500-01 control unit (with or without an optional 5500-MAN manifold) to the side, top, or bottom of an enclosure, making the control unit visible when viewed directly from the front. The bracket comes with mounting bolts, nuts, and Type 4X/IP66 washers for easy installation. The bracket can be ordered as a standalone mounting device for the 7500-01 control unit or as a mounting solution for the 7500-01 control unit with the 5500-MAN-CD01, 5500-MAN-EX01, or 5500-MAN-CDUL-01 manifold installed. Control unit and manifold are not included.

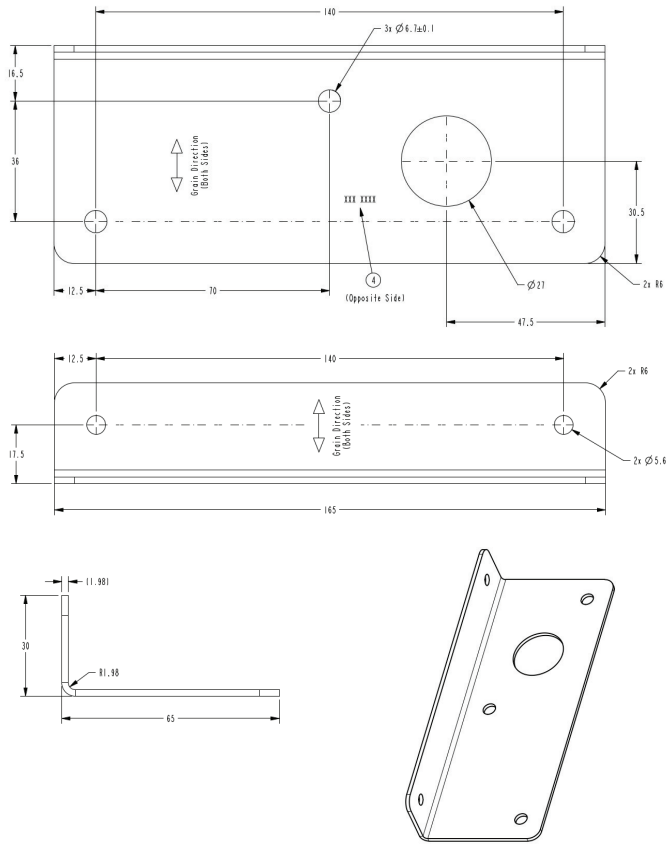
Dimensions

7500-ACC Panel without Manifold Mount



Dimensions

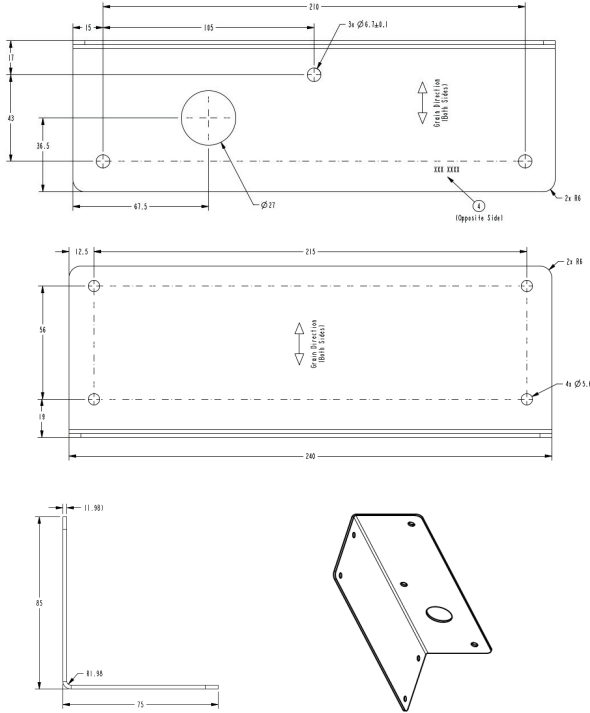
**7500-ACC Mounting Bracket
(For use without manifold mount)**



Release date: 2025-06-18 Date of issue: 2025-06-18 Filename: t217785_eng.pdf

Dimensions

**5500-ACC Mounting Bracket
(For use with and without manifold mount)**



Technical Data

General specifications	
Operating mode	For mounting 7500 control unit to enclosure or back panel
Series	7500
System	Type Z Purge ; Ex pzc Purge
Hazardous environment	gas or dust
Mechanical specifications	
Degree of protection	Mounting type 4X / IP66 (Seeloc washers)
Material	Bracket: 316 stainless steel Panel: 316 stainless steel Hardware, panel-to-enclosure (Bag 1) Bolts (3): 304 stainless steel Washers (3): Seeloc by APM Hexseal (P/N 75082 Buna-N) Nut: 304 stainless steel Hardware, bracket-to-panel (Bag 2) Bolts (2): 304 stainless steel Washers (2): Hard fiber Nuts (2): 304 stainless steel
Mass	7500-ACC-BKT-NM 0.6 kg 7500-ACC-BKT-YM 1.3 kg
Dimensions	For bracket dimensions , see dimension drawing. Hardware, panel-to-enclosure (Bag 1) Bolts (3): ¼ x 20 x ¾" Washers (3): 1" (OD); 9.53mm (hole diameter) Nut: ¼" Hardware, bracket-to-panel (Bag 2) Bolts (2): 5mm x 12mm button socket Washers (2): No 8 Nut (2): 5mm nyloc nut
General information	

Release date: 2025-06-18 Date of issue: 2025-06-18 Filename: t217785_eng.pdf

Technical Data

Scope of delivery

One (1) each bracket and panel with mounting hardware included (Control unit and optional manifold are sold separately.)

Type Code

Structure of the type code

(1)	-	(2)	-	(3)	-	(4)
-----	---	-----	---	-----	---	-----

1	Purge Series
7500	7500 Series

2	Device type
ACC	Accessory

3	Accessory type
BKT	Bracket only

4	Bracket type
NM	No manifold mounting option
YM	Yes manifold mounting option