



Wireless Access Point (Ex nR) CPS.GR*

- Glass-fiber reinforced polyester (GRP) enclosure
- Installation in Zone 2
- Installation in Zone 21 and Zone 22 (on request)
- Use of industrial Wireless Access Points in hazardous areas
- Separate connection enclosure allows for easy installation and maintenance
- Lightweight solution
- Customizable configuration of WI-FI and network devices and cable entries as per specification
- Image and drawing are generic for this device type and may deviate from the specific variant

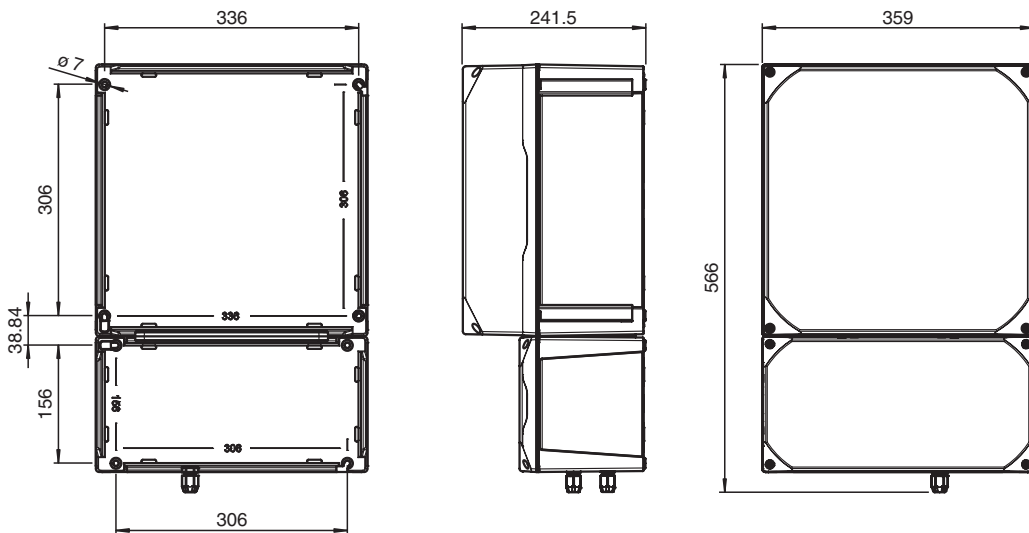
Wireless Access Point (Ex nR) in glass-fiber reinforced polyester (GRP) enclosure for use in explosion-hazardous areas Zones 2, 21, 22



Function

This Wireless Access Point solution, based on our GR enclosure series, is specifically designed for installation in hazardous areas including Zone 2, Zone 21, and Zone 22. The system allows the use of industrial Wireless Access Points in hazardous areas, ensuring seamless connectivity while maintaining safety standards. With its separate installation connection enclosure, customers can easily install and maintain the system on their plants. This eliminates the need to access the Ex nR enclosure. Pepperl+Fuchs solution engineering teams offer any custom configurations including WI-FI devices and cable entries to meet various requirements. The GRP enclosure emits radio signals without the need for external antennas.

Dimensions



Technical Data

Electrical specifications

Operating voltage	690 V AC / DC max. , depending on size for ATEX / IECEx
Operating current	350 A max. , depending on size and certification

Mechanical specifications

Enclosure cover	fully detachable , optional hinges
Cover fixing	stainless steel combination Phillips and slotted screw
Cover seal	foamed silicone

Release date: 2025-05-19 Date of issue: 2025-05-19 Filename: t219285_eng.pdf

Technical Data

Degree of protection	IP66
Cable entry	
Number of cable entries	2 x M20 for standard variants As per specification for engineered solutions
Material	
Enclosure	carbon loaded, antistatic glass-fiber reinforced polyester (GRP)
Finish	inherent color black
Grounding plate	2 mm brass optional
Mass	depending on integrated components and selected enclosure size
Shock resistance	IK09 (from GR.18.18.10 and larger, IK09, IK10 apply)
Dimensions	depending on integrated components see datasheets of relevant enclosures values might differ slightly due to casting and manufacturing tolerances
Mounting	wall mounting
Grounding	none as standard optional M6 or M8 internal/external brass nickel-plated grounding bolt optional M6 or M8 internal/external stainless steel grounding bolt
Ambient conditions	
Ambient temperature	depending on integrated components
Data for application in connection with hazardous areas	
EU-type examination certificate	FIDI 23 ATEX 0082X
Marking	Ⓜ II 3G Ex nR IIC T6...T4 Gc Ex II 3G Ex db nR [ia] IIC T6...T4 Gc Ex II 3G Ex nR [op is] IIC T6...T4 Gc
International approvals	
Further approvals	available on request
Conformity	
Degree of protection	EN60529
CE marking	0102
General information	
Ordering information	This Wireless Access Point solution will be delivered completely configured and assembled ready for use. For configuration details please contact customer service.
Supplementary information	EC-Type Examination Certificate, Statement of Conformity, Declaration of Conformity, Attestation of Conformity and instructions have to be observed where applicable. For information see www.pepperl-fuchs.com .
General specifications	
Installed components	All major WI-FI Access Point vendors such as Aruba, Cisco, ect.
Accessories	
Optional accessories	M6 or M8 internal/external brass nickel-plated grounding bolts M6 or M8 internal/external stainless steel grounding bolts grounding plate, brass engraved traffolyte tag label engraved AISI 316L stainless steel tag label color in-fill stainless steel tag label