



VisuNet FLX

System-^{*}A-^{*} with Enclosure with RFID Reader RFID20-^{*}

- Fully modular design which enables easy migration of individual components
- Large application flexibility due to identical basic components that can be configured as required
- Preinstalled RFID20-^{*} Reader

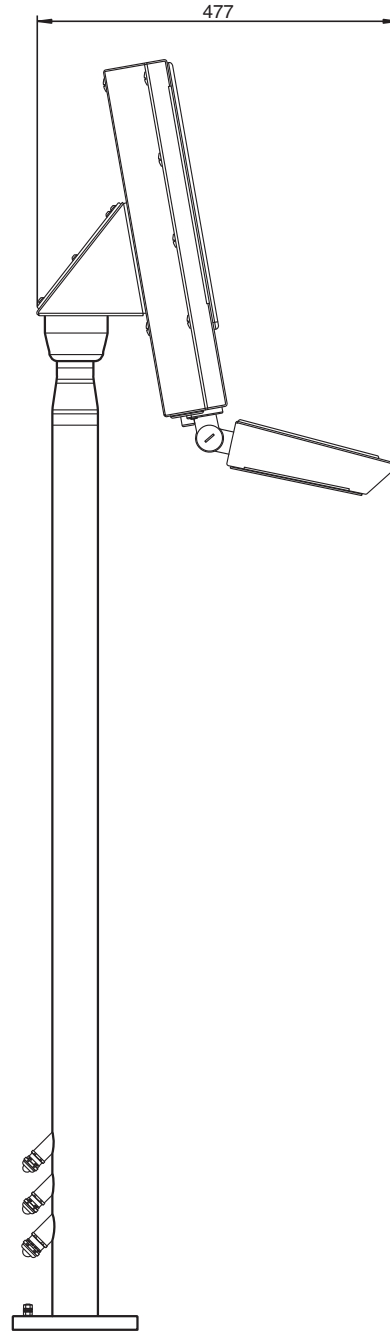
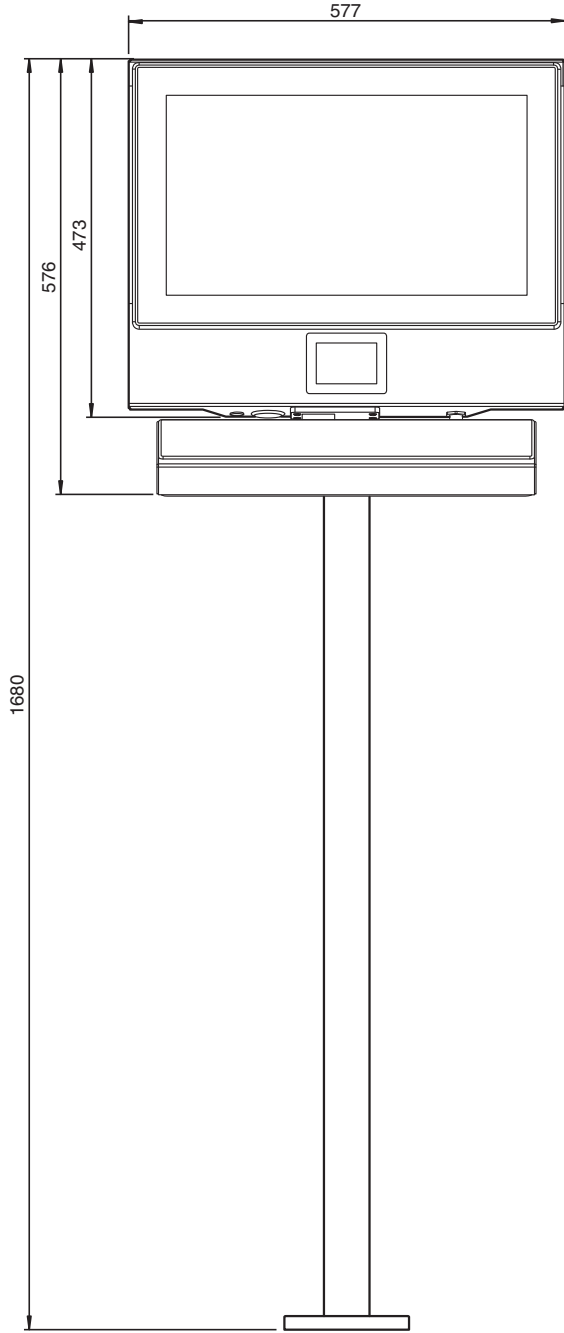
System with Enclosure with RFID Reader



Function

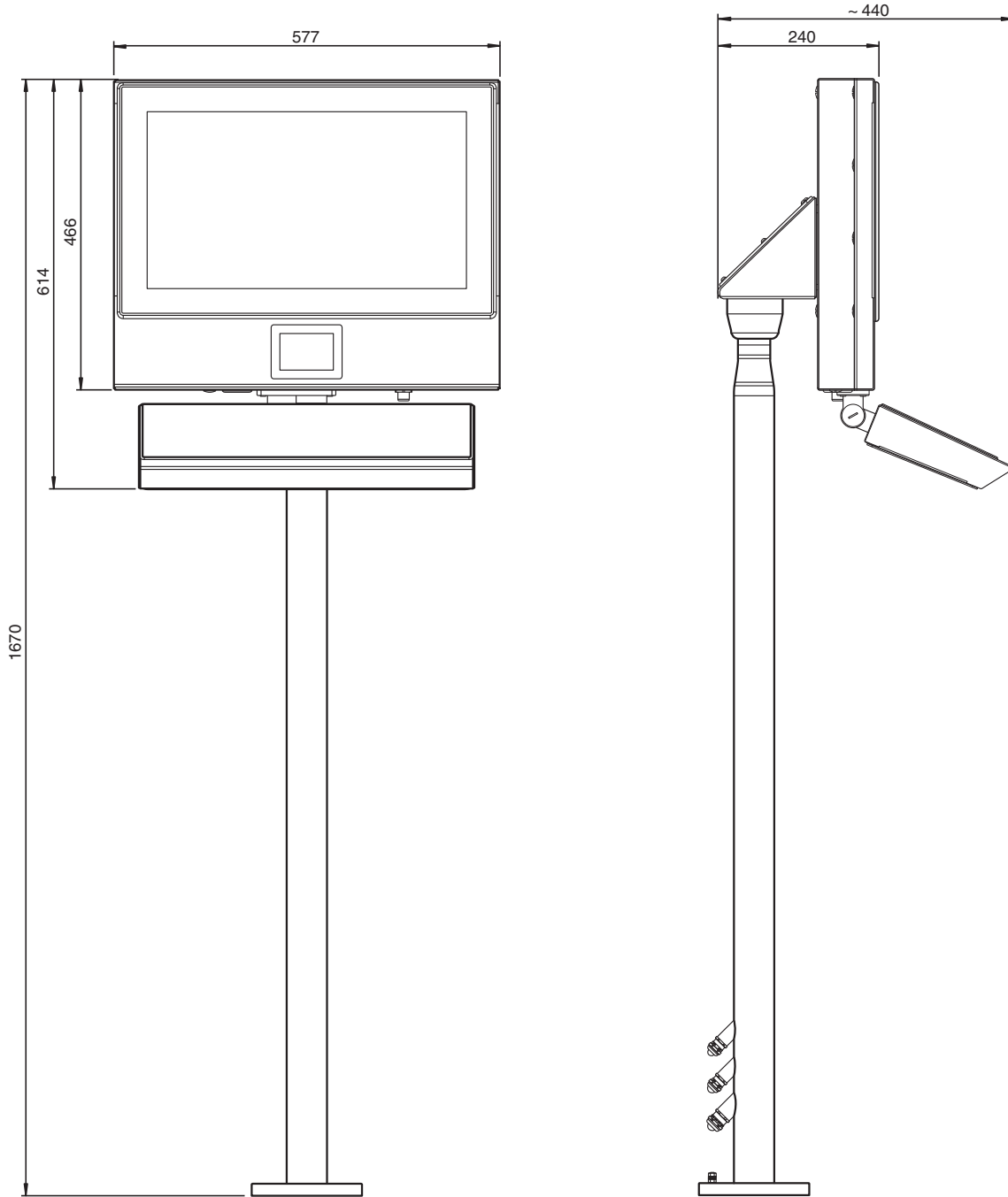
The VisuNet FLX Systems with RFID Reader are designed for Zone 2/22 (Self-Declaration) and non-Ex applications. The different mounting and configuring options lead to the highest application flexibility. Due to a fully modular design, the new platform, which is geared to the needs of the (petro-) chemical and pharmaceutical industries, the HMIs can be configured to fit exactly and enables simple and fast adjustments in the field. With the modern, compact design less installation space is required. The low weight allows a cost effective and easy installation.

Dimensions



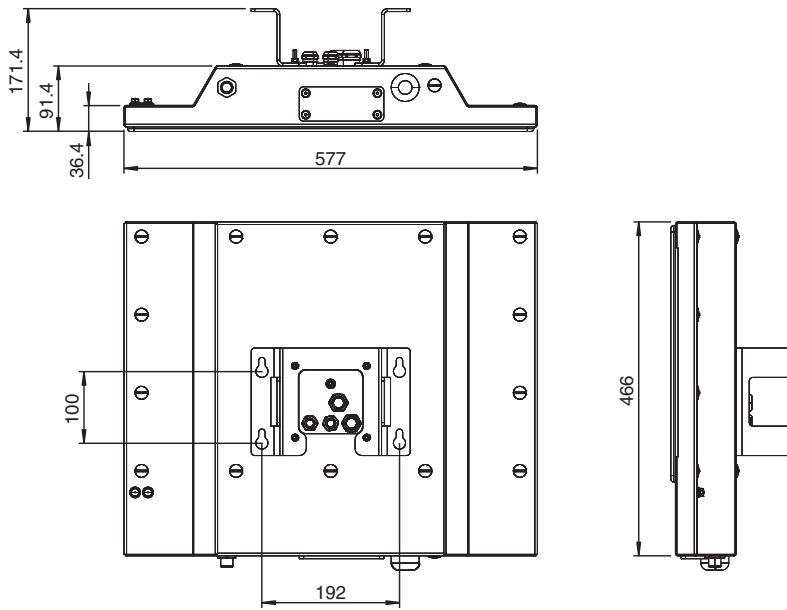
Release date: 2025-02-17 Date of issue: 2025-02-17 Filename: t221762_eng.pdf

Dimensions



Release date: 2025-02-17 Date of issue: 2025-02-17 Filename: t221762_eng.pdf

Dimensions



Technical Data

General specifications

Type	Personal Computer and Remote Monitor
------	--------------------------------------

Technical Features

RM-320S-*

General specifications

Type	Remote Monitor
------	----------------

Hardware

Processor	Intel® Celeron™ 3965U
RAM	A: 1x 4 GB DDR4-2133, industrial temperature grade B: 1x 8 GB DDR4-2133, industrial temperature grade
Mass storage	Storage interface: 1x M.2 2242/2280 M Key, PCIe + SATA 3 Storage: 64-GB M.2 SATA 3, industrial temperature grade [temperature class A]

Software

Operating system	VisuNet RM Shell 6 (based on Windows® 10 IoT Enterprise LTSC 2021 x64) Optional: I: IGEL OS 11 (based on Linux, without licence) J: IGEL OS 12 (based on Linux, without licence) T: ThinManager Ready [Celeron, 4-GB RAM, no storage]
------------------	--

PC-320S-*

General specifications

Type	Personal Computer
------	-------------------

Hardware

Processor	Intel Celeron 3965U
-----------	---------------------

Technical Features

Hardware

RAM	2x SO-DIMM slots, supports up to 32 GB DDR4-2133 (one SO-DIMM slot) Configurable RAM options: Industrial temperature grade (temperature option A): B: 1x 8 GB DDR4-2133 C: 1x 16 GB DDR4-2133
Mass storage	Storage interface: 1x M.2 2242/2280 M Key, PCIe + SATA 3 Configurable storage options: Industrial temperature grade (temperature option A): D: 256-GB M.2 NVMe 1.3 (PCIe 4x) E: 512-GB M.2 NVMe 1.3 (PCIe 4x)

Software

Operating system	Windows® 10 IoT Enterprise LTSC 2021 x64
------------------	--

RM-320S-* and PC-320S-*

Supply

Power consumption	
AC	A: 115/230 V a.c. (100 ... 240 V a.c.), max. 0.7 A, max. 70 W For detailed information, refer to the PSU PS1000-A6-24.5 manual.
DC	20 ... 28 V d.c. / 2.8 A (SELV/PELV or NEC class 2)

Indicators/operating means

Display	
Type	Liquid Crystal Display (LCD) with LED backlight
Screen diagonal	54.61 cm (21.5 inches)
Resolution	1920 x 1080 pixels (Full HD) Aspect ratio 16:9
Color depth	24 bit (16.7 M) color
Contrast	Typically 22GT: 1000:1 22FC: 5000:1
Brightness	Configurable display options: 22GT: 250 cd/m ² 22FC: 300 cd/m ²
Reading angle	22GT: 178° in all directions 22FC: horizontal: 170°, vertical: 160°
Life span	22GT: back lamp life: 30.000-hrs typical half life, at 25 °C (77 °F) 22FC: back lamp life: 50.000-hrs typical half life, at 25 °C (77 °F)

Input devices

Touch screen	Configurable display options: 22GT: Capacitive touch, no optical bonding 22FC: Capacitive touch, optical bonding, 10-finger multi-touch, glove-friendly
Keyboard	Optional: Foil keyboard with different pointing device options available (see EXTA4 technical data)

Interface

Interface type	1 x DisplayPort 1.2 (DP++) 1 x mini DisplayPort 1.2 (DP++ w/ mono locking screw) 1 x Audio Line-out 2 x USB Ex i ports prepared for Pepperl+Fuchs intrinsically safe keyboard 2 x USB 3.1 Gen1 (5 Gbps) ports 1 x USB 2.0 port 2 x LAN ports (RJ45, 10/100/1000 Mbps) 2 x RS232/422/485 (BIOS configurable) with 5V/12V to power peripherals (1 x DB9 male + 1 x RJ45)
----------------	---

Directive conformity

Radio and telecommunication terminal equipment	
Directive 2014/53/EU	EN 301 489-1 V2.2.3:2019 EN 301 489-3 V2.3.2:2023 EN 62311:2020 ETSI EN 300 330 V2.1.1:2017
Explosion protection	
Directive 2014/34/EU	EN IEC 60079-0:2018 EN IEC 60079-7:2015/A1:2018 EN IEC 60079-11:2012 EN IEC 60079-31:2024
RoHS	
Directive 2011/65/EU (RoHS)	EN IEC 63000:2018

Release date: 2025-02-17 Date of issue: 2025-02-17 Filename: t221762_eng.pdf

Technical Features

Ambient conditions	
Operating temperature	0 ... 40 °C (32 ... 104 °F)
Storage temperature	-20 ... 65 °C (-4 ... 149 °F)
Relative humidity	max. relative humidity 93% at 40°C (non-condensing) according to EN60068-2-78
Climatic conditions	Passive cooling, no rotating parts
Altitude	Operating altitude max. 2000 m
Shock resistance	18 shocks 15 g, 11 ms all axis, IEC 60068-2-27
Vibration resistance	10 ... 150 Hz, +/- 0.075 mm, 1 g, 10 cycles per axis according to EN60068-2-6

Mechanical specifications	
Degree of protection	IP66
Material	Housing: Stainless steel AISI304 (1.4301) Surface finish: Bead blasted, typical surface roughness 0.8 µm
Installation	System with enclosure
Mass	approx. 16 kg approx. 18 kg with AC Power Supply
Dimensions	577 mm x 466 mm x 233 mm

International approval	
ATEX approval (Self declaration)	
ATEX certificate	PF21CERT6290X
ATEX marking	II 3G Ex ec IIC T4 Gc II 3D Ex tc IIIC 135 °C Dc

Type Code

System-*A-* with Enclosure with RFID Reader RFID20-*

(1)-	(2)	(3)-	(4)-	(5)-	(6)	(7)	(8)	(9)	(10)-	(11)	(12)
------	-----	------	------	------	-----	-----	-----	-----	-------	------	------

(1)-	
RM-320S-	Remote monitor - "System with enclosure"
PC-320S-	Personal computer - "System with Enclosure"

(2) Explosion protection	
N	Industrial, general purpose (UL Ord Loc Listed for US & Canada)
R	ATEX Zone 2/22 (Self declaration)

(3)- Temperature	
A-	0 °C ... 40 °C

(4)- Display unit	
22GT-	21.5 " (16:9), Full HD (1920 x 1080), capacitive touch, no optical bonding
22FC-	21.5 " (16:9), Full HD (1920 x 1080), capacitive touch, optical bonding

(5)- Power supply	
D-	24 V DC
A-	115/230 V AC, 50-60 Hz

(6) Computing unit	
1N	Intel Celeron

(7) RAM	
A	1x 4 GB, industrial temperature grade
B	1x 8 GB, industrial temperature grade
C	1x 16 GB, industrial temperature grade

(8) Storage	
N	None [only ThinManager Ready]
B	64 GB M.2 SATA, industrial temperature grade
D	256 GB, M.2 NVMe industrial temperature grade
E	512 GB, M.2 NVMe industrial temperature grade

(9) OS	
3	Windows® 10 IoT Enterprise LTSC 2021 x64

VisuNet FLX

Type Code

(9)	OS
4	VisuNet RM Shell 6 (based on Windows® 10 IoT Enterprise LTSC 2021 x64)
I	IGEL OS 11 (based on Linux, without licence)
J	IGEL OS 12 (based on Linux, without licence)
T	ThinManager Ready

(10)-	Housing
P1-	preinstalled into AG-3200-* enclosure, surface finish 0.8-µm brushed

(11)	Reader
R	RFID Reader (TWN4 Multitech 3 MLF HF)
F	RFID Reader with LEGIC (TWN4 Multi Tech 3 LEGIC M LF HF)

(12)	Options
N0	None