



VisuNet FLX

System-*B*- with Enclosure with RFID Reader RFID20-*

- Fully modular design which enables easy migration of individual components
- Large application flexibility due to identical basic components that can be configured as required
- Preinstalled RFID20-*** Reader

System with Enclosure with RFID Reader



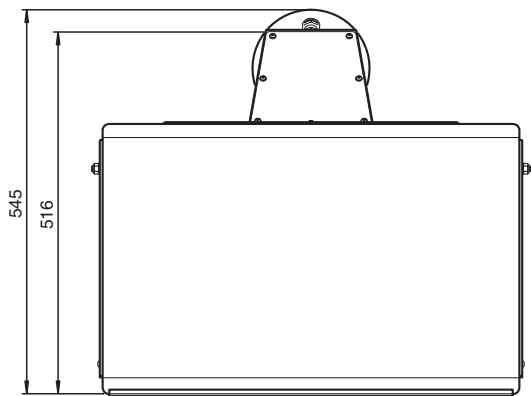
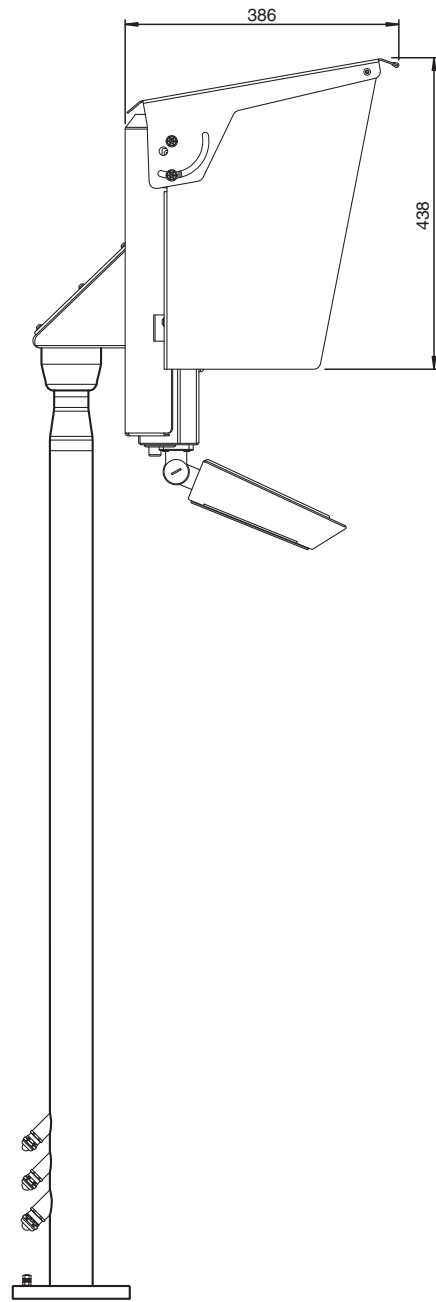
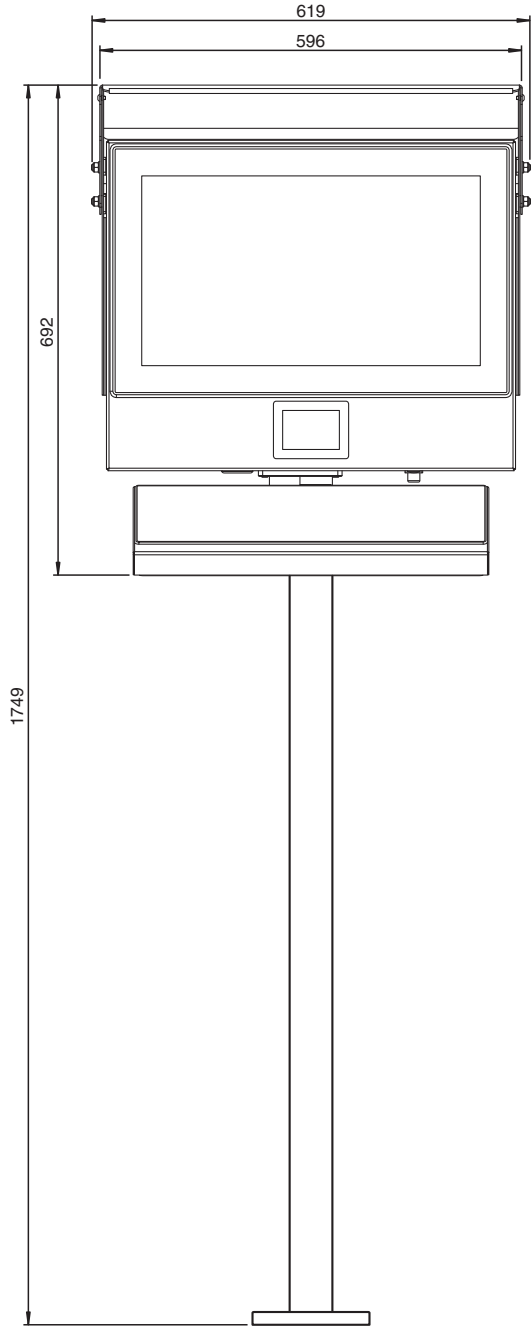
Function

The VisuNet FLX Systems with RFID Reader are designed for Zone 2/22 (Self-Declaration) and non-Ex applications. The VisuNet FLX's rugged aluminum enclosure provides optimized thermal conductivity for improved heat transfer and temperature management.

The high corrosion resistance of the housing makes the VisuNet FLX platform attractive for industries with high ambient temperatures, such as manufacturing, oil & gas, water & wastewater, and loading & filling. Industries such as life science, (petro)chemical and pharmaceutical also benefit from the advantages of the aluminum variant of the VisuNet FLX.

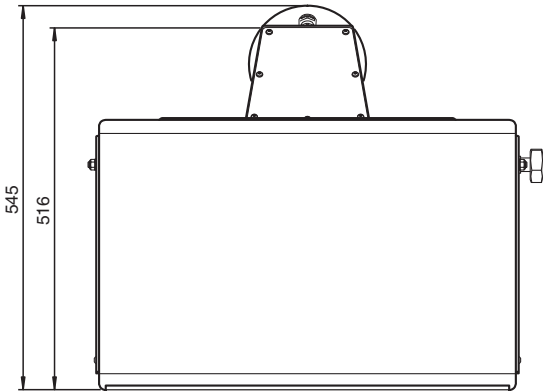
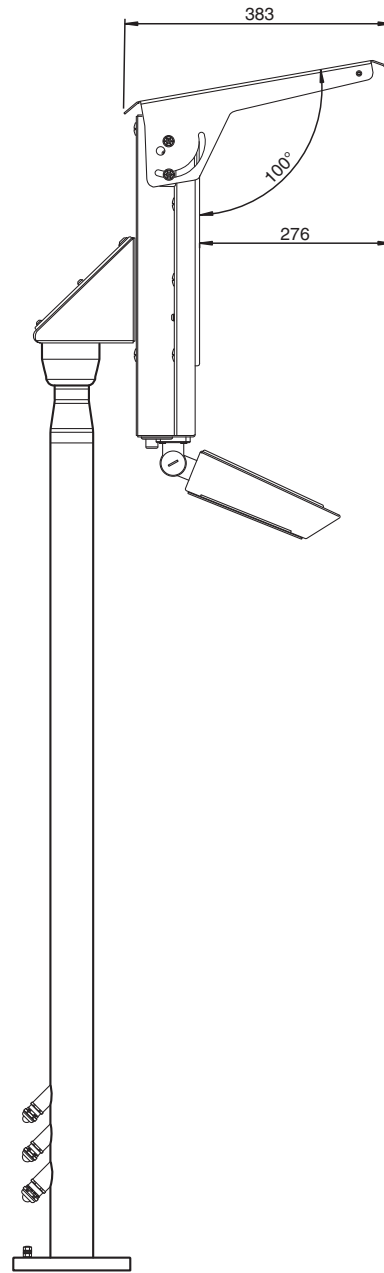
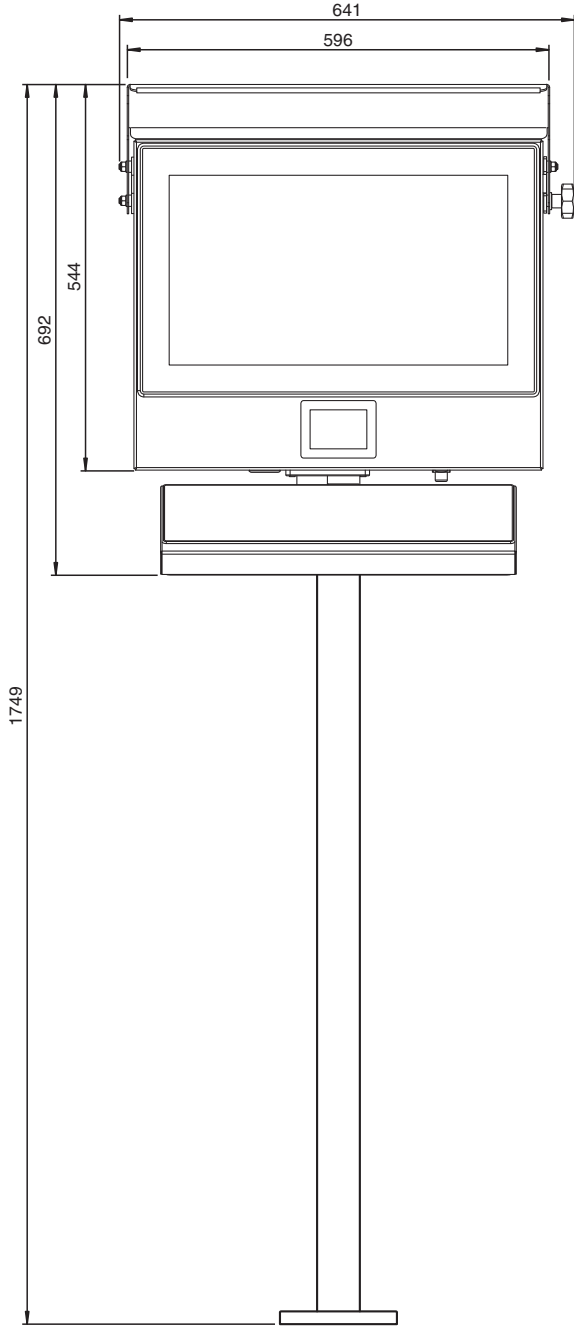
The various mounting and configuration options provide maximum application flexibility. Thanks to its fully modular design, the new platform, which is tailored to the needs of the (petro)chemical and pharmaceutical industries, the HMIs can be configured to fit exactly and allow for easy and quick adjustments in the field. The modern, compact design requires less installation space. The low weight allows for cost-effective and easy installation.

Dimensions



Release date: 2025-02-17 Date of issue: 2025-02-17 Filename: t221763_eng.pdf

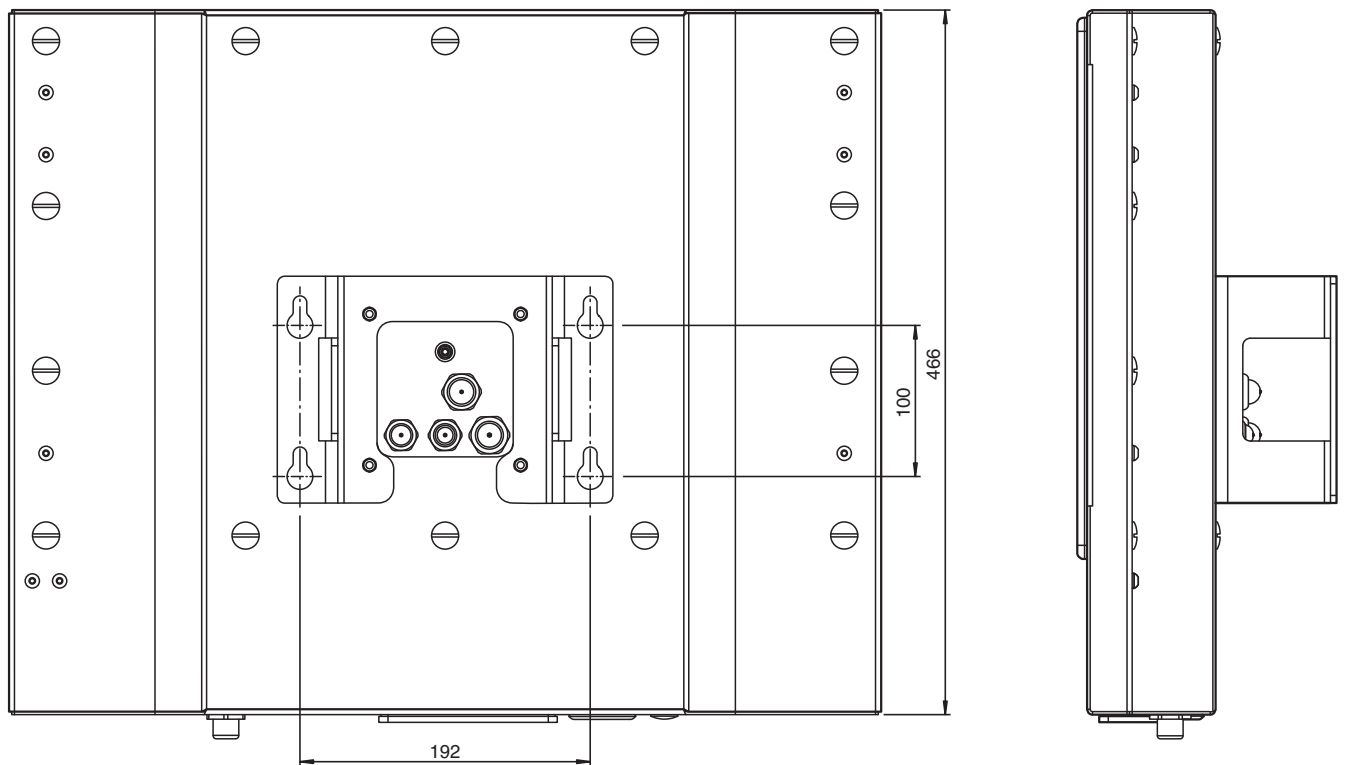
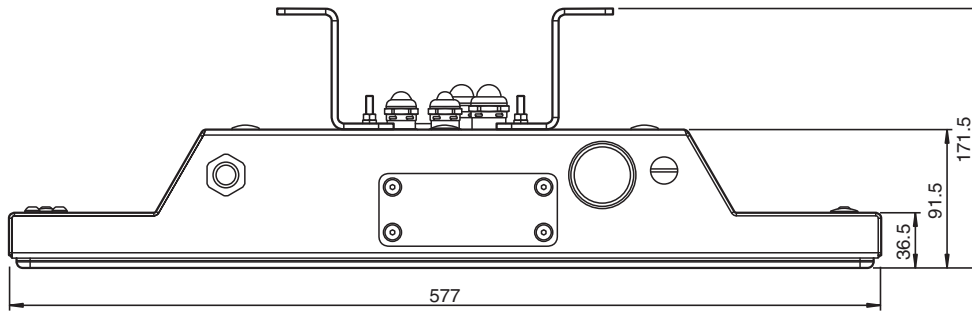
Dimensions



Release date: 2025-02-17 Date of issue: 2025-02-17 Filename: t221763_eng.pdf

Dimensions

Dimensions for Wall Mounting Bracket



Release date: 2025-02-17 Date of issue: 2025-02-17 Filename: t221763_eng.pdf

Technical Data

General specifications

Type Personal Computer and Remote Monitor

Technical Features

RM-320S-*

General specifications	
Type	Remote Monitor

Hardware	
Processor	Intel® Celeron™ 3965U
RAM	L: 1x 4 GB DDR4-2133, wide temperature grade [temperature class B] M: 1x 8 GB DDR4-2133, wide temperature grade [temperature class B]
Mass storage	Storage interface: 1x M.2 2242/2280 M Key, PCIe + SATA 3 Storage: 64 GB M.2 SATA 3, wide temperature grade

Software	
Operating system	VisuNet RM Shell 6 (based on Windows® IoT 10 Enterprise LTSC 2021 x64) Optional: I: IGEL OS 11 (based on Linux, without licence) J: IGEL OS 12 (based on Linux, without licence) T: ThinManager Ready [Celeron, 4 GB RAM, no storage]

PC-320S-*

General specifications	
Type	Personal Computer

Hardware	
Processor	1N: Intel® Celeron 2N: Intel® Core™ i5-7300U
RAM	2x SO-DIMM slots, supports up to 32 GB DDR4-2133 (one SO-DIMM slot) Configurable RAM options: Wide temperature grade (temperature option B): L: 1x 8GB DDR4-2133 M: 1x 16GB DDR4-2133
Mass storage	Storage interface: 1x M.2 2242/2280 M Key, PCIe + SATA 3 Configurable storage options: Wide temperature grade (temperature option B): P: 256 GB M.2 NVMe 1.3 (PCIe 4x) Q: 512 GB M.2 NVMe 1.3 (PCIe 4x)

Software	
Operating system	Windows® 10 IoT Enterprise LTSC 2021 x64

RM-320S-* and PC-320S-*

Supply	
Power consumption	
AC (110 V / 230 V)	RM: Maximum load: 60 W PC: Maximum Load: 64 W
DC (24 V)	RM: Maximum load: 51 W PC: Maximum load: 55 W

Indicators/operating means	
Display	
Type	Liquid Crystal Display (LCD) with LED backlight
Screen diagonal	54.61 cm (21.5 inches)
Resolution	1920 x 1080 (Full HD) Aspect ratio 16:9
Color depth	24 bit (16.7 M) color
Contrast	22FC: 5000:1
Brightness	22FC: 300 cd/m2
Reading angle	22FC: horizontal: 170°, vertical: 160°
Life span	22FC: back lamp life: 50.000-hrs typical half life, at 25°C (77°F)

Technical Features

Input devices	
Touch screen	22FC: Capacitive touch, optical bonding, 10-finger multi-touch, glove-friendly
Keyboard	Optional: Foil keyboard with different pointing device options available (see EXTA4 technical data)

Interface	
Interface type	1 x DisplayPort 1.2 (DP++) 1 x mini DisplayPort 1.2 (DP++ w/ mono locking screw) 1 x Audio Line-out 2 x USB Ex i ports prepared for Pepperl+Fuchs intrinsically safe keyboard 2 x USB 3.1 Gen1 (5 Gbps) ports 1 x USB 2.0 port 2 x LAN ports (RJ45, 10/100/1000 Mbps) 2 x RS232/422/485 (BIOS configurable) with 5V/12V to power peripherals (1 x DB9 male + 1 x RJ45)

Directive conformity	
Radio and telecommunication terminal equipment	
Directive 2014/53/EU	EN 301 489-1 V2.2.3:2019 EN 301 489-3 V2.3.2:2023 EN 62311:2020 ETSI EN 300 330 V2.1.1:2017
Explosion protection	
Directive 2014/34/EU	EN IEC 60079-0:2018 EN IEC 60079-7:2015/A1:2018 EN IEC 60079-11:2012 EN IEC 60079-31:2014
RoHS	
Directive 2011/65/EU (RoHS)	EN IEC 63000:2018

Ambient conditions	
Operating temperature	-20 °C ... 50 °C (-4 ... 122 °F)
Storage temperature	-20 °C ... 65 °C (-4 ... 149 °F)
Relative humidity	max. relative humidity 95% at 50°C (non-condensing) according to EN60068-2-78
Climatic conditions	Passive cooling, no rotating parts
Altitude	Operating altitude max. 2000 m
Shock resistance	18 shocks 15 g, 11 ms all axis, IEC 60068-2-27
Vibration resistance	10 ... 150 Hz, +/- 0.075 mm, 1 g, 10 cycles per axis according to EN60068-2-6

Mechanical specifications	
Degree of protection	IP66
Material	Housing: Powder coated, marine-grade aluminium alloy (EN AW-5754)
Installation	System with enclosure
Mass	approx. 11.4 kg approx. 13.4 kg with AC Power Supply with top sunshield: + approx. 1.6 kg with top and side sunshield: + approx. 3 kg
Dimensions	577 mm x 466 mm x 233 mm

Type Code

System-*B-* with Enclosure with RFID Reader RFID20-*

(1)-	(2)	(3)-	(4)-	(5)-	(6)	(7)	(8)	(9)	(10)-	(11)	(12)
------	-----	------	------	------	-----	-----	-----	-----	-------	------	------

(1)-	
RM-320S-	Remote monitor - "System with enclosure"
PC-320S-	Personal computer - "System with Enclosure"

(2) Explosion protection	
N	Industrial, general purpose (UL Ord Loc Listed for US & Canada)
R	ATEX Zone 2/22 (Self declaration)

(3)- Temperature	
B-	-20 °C...50 °C

(4)- Display unit	
22FC-	21.5 " (16:9), Full HD (1920 x 1080), capacitive touch, optical bonding

Release date: 2025-02-17 Date of issue: 2025-02-17 Filename: t221763_eng.pdf

Type Code

(5)- Power supply	
D-	24 V DC
A-	115/230 V AC, 50-60 Hz

(6) Computing unit	
1N	Intel Celeron
2N	Intel Core i5-7300U

(7) RAM	
L	1x 8 GB, wide temperature grade
M	1x 16 GB, wide temperature grade

(8) Storage	
N	None [only ThinManager Ready]
L	64 GB M.2 SATA, wide temperature grade
P	256 GB, M.2 NVMe wide temperature grade
Q	512 GB, M.2 NVMe wide temperature grade

(9) OS	
3	Windows® 10 IoT Enterprise LTSC 2021 x64
4	VisuNet RM Shell 6 (based on Windows® 10 IoT Enterprise LTSC 2021 x64)
I	IGEL OS 11 (based on Linux, without licence)
J	IGEL OS 12 (based on Linux, without licence)
T	ThinManager Ready

(10)- Housing	
A1-	Powder-coated aluminum alloy enclosure

(11) Reader	
R	RFID Reader (TWN4 Multitech 3 MLF HF)
F	RFID Reader with LEGIC (TWN4 Multi Tech 3 LEGIC M LF HF)

(12) Options	
N0	None