

RFID Reader for Zone 2/22 and Div. 2 RFID20-*



- Flexible RFID (125 kHz and 13.56 MHz) reader with NFC capabilities
- Flush mountable for easy integration in VisuNet Systems and optimal cleanability in pharmaceutical applications
- Compatible with the common login applications Obion LogOnPlus, Nymi, Siemens PM-Logon
- Provides access to all standard USB operating modes as HID, USB-CCID und USB CDC

RFID Reader/Writer for LF, HF, NFC

Function

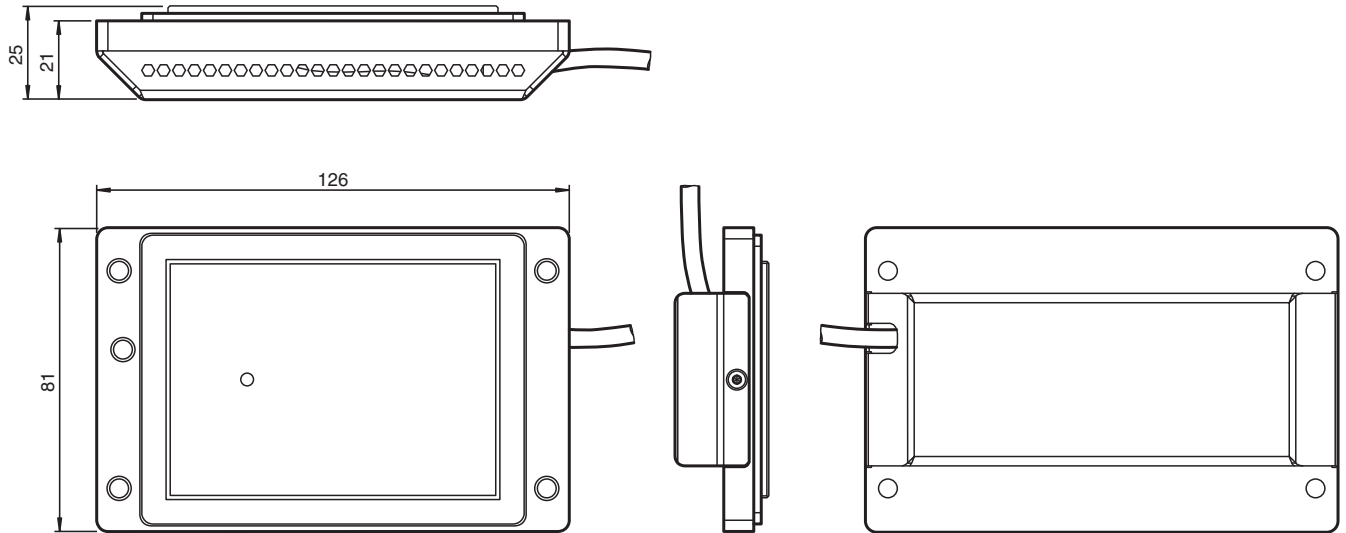
The RFID20-* integrates RFID and NFC capabilities into a compact and flexible reader and allows users to read and write almost all common worldwide 125 kHz and 13.56-MHz tags and/or labels. The RFID20-* is designed as an additional configurable accessory for the Pepperl+Fuchs Workstations but can be used as stand-alone RFID Reader/Writer as well.

Function Principle

Example: RFID20-* integrated in the VisuNet FLX System



Dimensions



Technical Data

| | |
|--|---|
| General specifications | |
| Type | RFID Reader/Writer for LF, HF, NFC |
| Operating distance | LF and HF: Up to 76 mm / 3 inch, depending on environment and transponder |
| Supply | |
| Power supply | 4.3 V - 5.5 V via USB; via generic interface (X2) 3.3 V ± 5% Limited power source according to the safety norms listed in the respective declaration of conformity, short-circuit current < 8 A |
| Indicators/operating means | |
| Indicators | LED green: power on LED red flashing beeper/buzzer: read/write attempt performed |
| Electrical specifications | |
| Operation frequency | 125 kHz (LF) / 13.56 MHz (HF) |
| Interface | |
| Interface type | USB |
| Directive conformity | |
| Explosion protection | |
| Directive 2014/34/EU | EN IEC 60079-0:2018 EN IEC 60079-7:2015+A1:2018 EN IEC 60079-31:2024 |
| Radio and telecommunication terminal equipment | |
| Directive 2014/53/EU | RFID20-A-*NF-****-N**: EN 300 330 V2.1.1 EN 301 489-1 V1.9.2 EN 62368-1:2014+AC:2015-05+AC:2015-11 EN 50364:2010 EN 62479:2010 EN 55032:2015 Additional standards: EN 301 489-1 V2.1 .1 EN 301 489-3 V2.1 .1 EN 62311:2008EN 62369-1:2009 RFID20-B-*NF-****-N**: EN 300 330 V2.1.1 EN 301 489-1 V1.9.2 EN 62368-1:2014+AC:2015-05+AC:2015-11 EN 50364:2010 EN 62479:2010 EN 55032:2015 Additional standards: EN 301 489-1 V2.2.3 EN 301 489-3 V2.1 .1 EN 62369-1:2009 EN 62311:2008 |

Release date: 2025-04-01 Date of issue: 2025-04-01 Filename: t25246_eng.pdf

Technical Data

| | |
|----------------------------------|--|
| RoHS | |
| Directive 2011/65/EU (RoHS) | EN IEC 63000:2018 |
| Conformity | |
| Degree of protection | Front side: Non-Ex: IP66 with included front foil, With Ex-certification: IP66 with included front foil Back side: IP20 |
| Ambient conditions | |
| Ambient temperature | -20 ... 60 °C (-4 ... 140 °F) |
| Storage temperature | -20 ... 65 °C (-4 ... 149 °F) |
| Relative humidity | max. relative humidity 93% at 40°C (non-condensing) according to EN60068-2-78 |
| Mechanical specifications | |
| Material | PEEK housing, anodized aluminum backside |
| Mass | 300 g |
| Dimensions | 126 mm x 81 mm x 25 mm |
| Cut out dimensions | 82 mm x 57 mm |
| Cable length | 1.8 m / 0.6 m |
| International approvals | |
| UL approval | |
| Approved for | ULus UL 121201:2017(R2019) UL 50:2015 UL 50E:2020 UL 60079-0:2019 UL 60079-7:2017 UL 60079-31:2015 UL 61010-1:2012 UL 61010-2-201:2018 cUL CSA C22.2 NO. 94.1:15 CSA C22.2 No. 94.2:20 CAN/CSA C22.2 NO. 61010-1-12 CAN/CSA NO. 61010-2-201:18 CSA C22.2 NO. 213-17 CAN/CSA C22.2 NO. 60079-0:19 CAN/CSA C22.2 No. 60079-7:16 CSA C22.2 NO. 60079-31:15 |
| ATEX approval | |
| ATEX certificate | UL 24 ATEX 3251U |
| ATEX marking | II 3G Ex ec IIC T4 Gc II 3D Ex tc IIIC 135 °C Dc |
| IECEx approval | |
| IECEx certificate | IECEx ULD 24.0019U |
| IECEx marking | Ex ec IIC T4 Gc Ex tc IIIC 135 °C Dc |
| Standards | IEC 60079-0:2017 IEC 60079-7:2015+ISH1:2016+AMD1:2017 IEC 60079-31:2022 |

Type Code

RFID20-*

| | | | | | | |
|---------|------|-----|------|-----|------|-----|
| RFID20- | (1)- | (2) | (3)- | (4) | (5)- | (6) |
|---------|------|-----|------|-----|------|-----|

Model

| | |
|---------|-----------------------|
| RFID20- | RFID reader Zone 2/22 |
|---------|-----------------------|

(1)- Reader

| | |
|----|---|
| A- | ElatecReader TWN4 MultiTech 3 M LF HF |
| B- | ElatecReader TWN4 MultiTech 3 LEGIC M LF HF |

(2) Explosion protection

| | |
|---|-----------------------------------|
| N | Non-Ex |
| L | ATEX / IECEx Zone 2/22 and Div. 2 |

Type Code

| (3)- | Mounting options |
|------|------------------|
| NF- | Flush mount |

| (4) | Interface |
|-----|---------------------------|
| UA | USB with Type A connector |

| (5)- | Cable length |
|------|---|
| 06- | Standard 0.6-m cable for installation in VisuNet FLX System Housing |
| 18- | 1.8-m cable for standalone application |

| (6) | Options |
|-----|--|
| N0 | None |
| XX | Other options without impact on explosion protection |

Example:

| | | | | | | |
|---------|----|---|-----|----|-----|----|
| RFID20- | A- | N | NF- | UA | 06- | N0 |
|---------|----|---|-----|----|-----|----|