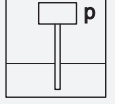




# Hydrostatic Pressure Switch

HR-021\*\*1



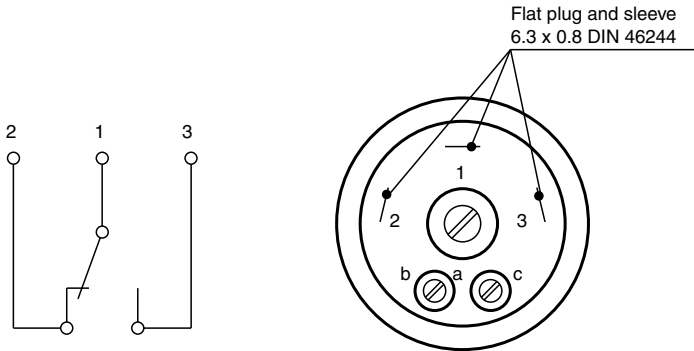
- Limit value detection for liquids as maximum detection
- High switching capacity
- Used in open or pressureless vessels



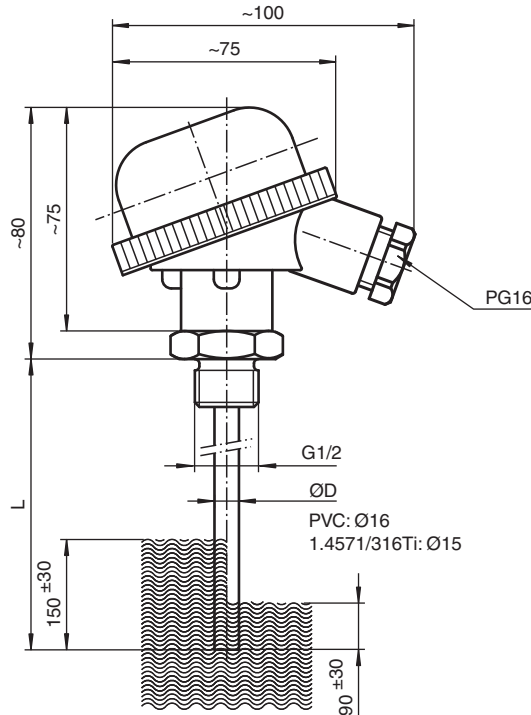
## Function

The membrane switch (changeover) in the terminal box switches, when a hydrostatic pressure of 15 mbar caused by the rising liquid rises up. The switch falls back with a pressure drop of 6 mbar. The switching points are factory-set and fixed. This device may be used with any circuit, if this circuit complies with the connection values of the switching element.

## Connection



## Dimensions



## Technical Data

<b>General specifications</b>	
Equipment architecture	switching element: changeover switching on point: 15 mbar $\pm$ 3 mbar, switching off point: 9 mbar $\pm$ 3 mbar max. hydrostatic pressure: 500 mbar
Series	HR-021**1
<b>Supply</b>	
Rated voltage	$U_r$ 253 V AC, 50/60 Hz
Current consumption	max. 1 A
<b>Conformity</b>	
Degree of protection	IEC 60529:2001
<b>Operating conditions</b>	
Process conditions	
Process temperature	-20 ... 70 °C (-4 ... 158 °F)
Ambient conditions	
Ambient temperature	-20 ... 70 °C (-4 ... 158 °F)
<b>Mechanical specifications</b>	
Degree of protection	IP54
Connection	flat plug 6.3 x 0.8 mm (0.25 x 0.03 inch), DIN 46244
Material	housing: PA pipe: stainless steel 1.4571/316Ti or PVC
Dimensions	housing: 100 x 75 x 80 mm (4 x 3 x 3.1 inch) pipe: length L 180 ... 5000 mm (0.6 ... 16.5 ft)
Process connection	thread G1/2 to ISO 228
<b>General information</b>	
Supplementary information	Statement of Conformity, Declaration of Conformity, Attestation of Conformity and instructions have to be observed where applicable. For information see <a href="http://www.pepperl-fuchs.com">www.pepperl-fuchs.com</a> .

## Type Code

This overview does not mark options which are mutually exclusive.

<b>H</b>	<b>R</b>	<b>-</b>	<b>0</b>	<b>2</b>	<b>1</b>	<b>(1)</b>	<b>(2)</b>	<b>1</b>	<b>/</b>	<b>L</b>
----------	----------	----------	----------	----------	----------	------------	------------	----------	----------	----------

<b>HR-021</b>	<b>Device</b>
HR-021	Hydrostatic pressure switch

<b>(1)</b>	<b>Pipe material</b>
1	Plastic PVC
3	Stainless steel 1.4571/316Ti

<b>(2)</b>	<b>Pipe diameter</b>
1	Ø15 mm, stainless steel
2	Ø6 mm, plastic

<b>1</b>	<b>Process connection</b>
1	Thread G1/2A, DIN/ISO 228/1

<b>L</b>	<b>Pipe length</b>
Length	Specified length, max. 5000 mm