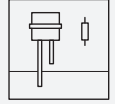




1-Rod Electrode

HR-6**1**



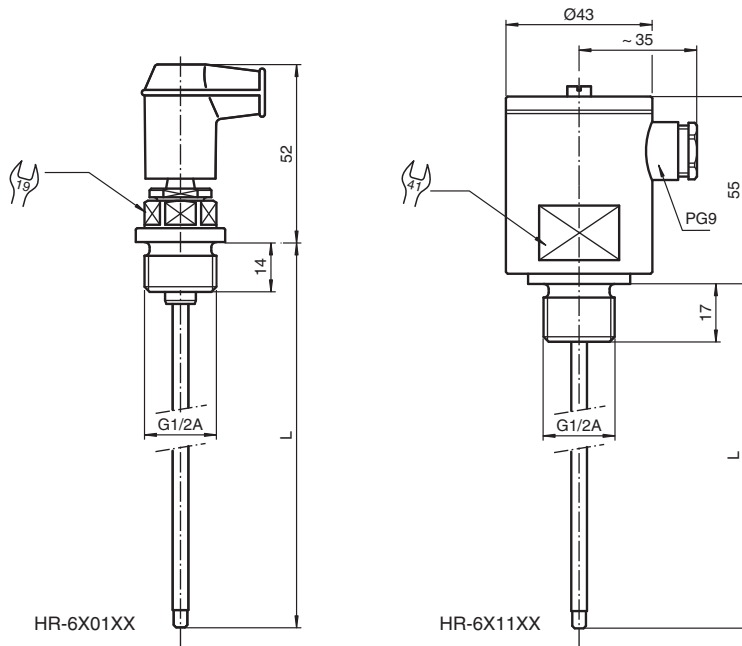
- Sensor for conductive limit value detection
- Electrodes Ø6 mm (0.24 inch) for length more than 1.5 m (5 foot)
- 1-rod electrode with electrode socket or terminal box
- Different rod and thread materials



Function

An electrode relay provides the measuring AC voltage for the electrode. If the product comes into contact with conductive batch, the measuring circuit between electrode and wall of vessel is closed and the electrode relay is switched.

Dimensions



Technical Data

General specifications	
Type	sensor for conductive limit value detection
Equipment architecture	A measuring system consists of a rod electrode HR-6**1** with electrode relay KFA6-ER 1.6, KFD2-ER 1.6, KFD2-ER-Ex1.W.LB or KFA6-ER-Ex1.W.LB.
Series	HR-6**1**
Input	

Release date: 2023-09-11 Date of issue: 2023-09-11 Filename: t3023_eng.pdf

Technical Data

Measured variable	measuring voltage directly from the electrode relay		
Output			
Output signal	electrode relay creates switch signal corresponding to the selected responsiveness.		
Directive conformity			
Electromagnetic compatibility			
Directive 2014/30/EU	EN 61326-1:2006 , EN 61326-2-3:2006		
Conformity			
Degree of protection	IEC 60529:2001		
Operating conditions			
Process conditions			
Process temperature	process connection 6: ≤ 150 °C (423 K) process connection 7: ≤ 90 °C (363 K) process connection 8: ≤ 150 °C (423 K)		
Process pressure (static pressure)	process connection 6: ≤ 30 bar process connection 7: ≤ 16 bar process connection 8: ≤ 6 bar		
Mechanical specifications			
Degree of protection	IP65 with terminal box IP52 with plug connector		
Connection	terminals in plug connector or in terminal box plug connector: terminal, max. 1 mm ² terminal box: terminal, max. 2.5 mm ²		
Material	housing: stainless steel 1.4571/316Ti, PP or PTFE process connection: stainless steel 1.4571/316Ti, PP or PTFE electrode rod: stainless steel 1.4571/316Ti, Hastelloy C, titanium or tantalum		
Dimensions	housing: max. Ø43 mm (1.7 inch), height max. 55 mm (2.2 inch) rod: length L max. 3000 mm (10 foot)		
Process connection	thread G1/2 to ISO 228		
General information			
Supplementary information	Observe the certificates, declarations of conformity, instruction manuals, and manuals where applicable. For information see www.pepperl-fuchs.com .		

Type Code

This overview does not mark options which are mutually exclusive.

H	R	-	6	(1)	(2)	1	(3)	(4)	/	L
---	---	---	---	-----	-----	---	-----	-----	---	---

HR	Device
HR	Limit switch

6	Principle of measurement
6	Conductive

(1)	Electrode rod diameter
0	Ø4 mm
1	Ø6 mm

(2)	Electrical connection
0	G1/2A with connector
1	G1/2A with terminal box

1	Number of electrode rods
1	1 rod

(3)	Housing and process connection material
6	Stainless steel 1.4571/316Ti
7	Plastic PP
8	Plastic PTFE

(4)	Electrode rod material
1	Stainless steel 1.4571/316Ti, PTFE coated
4	Hastelloy C (only for Ø4 mm (0.16 inch)), PTFE coated
7	Titanium (only for Ø4 mm (0.16 inch)), PTFE coated
8	Tantalum (only for Ø4 mm (0.16 inch)), PTFE coated

Type Code

L	Electrode rod length
Length	Specified length, max. 3000 mm, can be cropped by the user if necessary