



## Read head

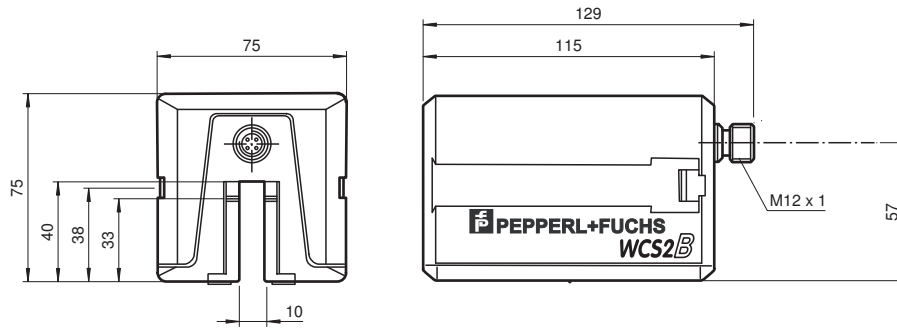
### WCS2B-LS1\*\*

- RS-485 interface
- Non-contact, absolute position encoder
- Automatic detection of dirt accumulation
- Output of position and speed

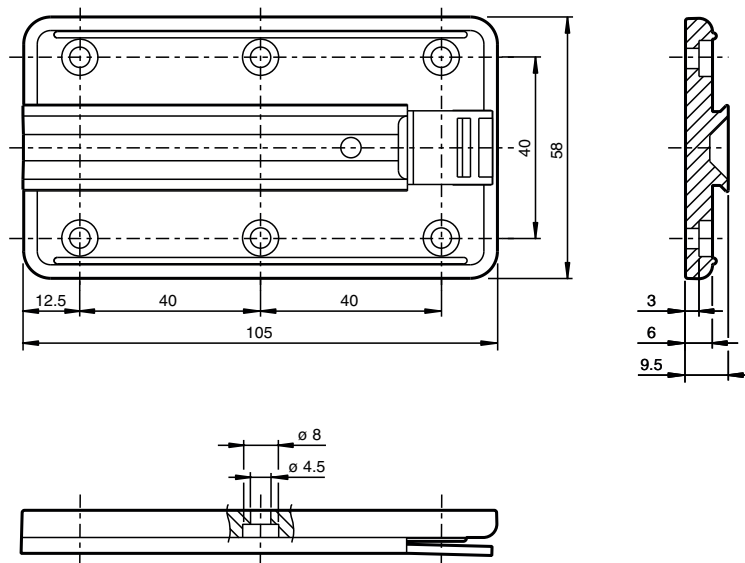
Reading head, RS-485 interface, without RS-485 termination resistor



## Dimensions



## Dimensions



## Technical Data

### General specifications

Passage speed	v	≤ 12.5 m/s
Measuring range		max. 327 m
Free tolerances to code rail		horizontal: 10 mm (± 5 mm) vertical: 10 mm (± 5 mm)
Resolution		± 0.42 mm (1,200 positions/m)

### Electrical specifications

Operating voltage	U <sub>B</sub>	10 ... 30 V DC
Power consumption	P <sub>0</sub>	2 VA with Option H, heating: 9 VA at 24 V DC

### Interface

Interface type		RS 485 interface
Data output code		binary code
Transfer rate		Baud rate 19.2 kBit/s ... 187.5 kBit/s (to be specified with order)
Termination		without RS 485 termination

### Standard conformity

Emitted interference		DIN EN 61000-6-4
Noise immunity		DIN EN 61000-6-2
Shock resistance		DIN EN 60068-2-27, half sine 30 g, 18 ms
Vibration resistance		DIN EN 60068-2-6, sine, 5 g, 10 - 2000 Hz, 10 cycles

### Approvals and certificates

CSA approval		cCSAus Certified, General Purpose Class 2 power source
CCC approval		CCC approval / marking not required for products rated ≤36 V

### Ambient conditions

Operating temperature		0 ... 60 °C (32 ... 140 °F) with Option H, heating: -40 ... 60 °C (-40 ... 140 °F)
Storage temperature		-40 ... 85 °C (-40 ... 185 °F)
Relative humidity		90 % , noncondensing

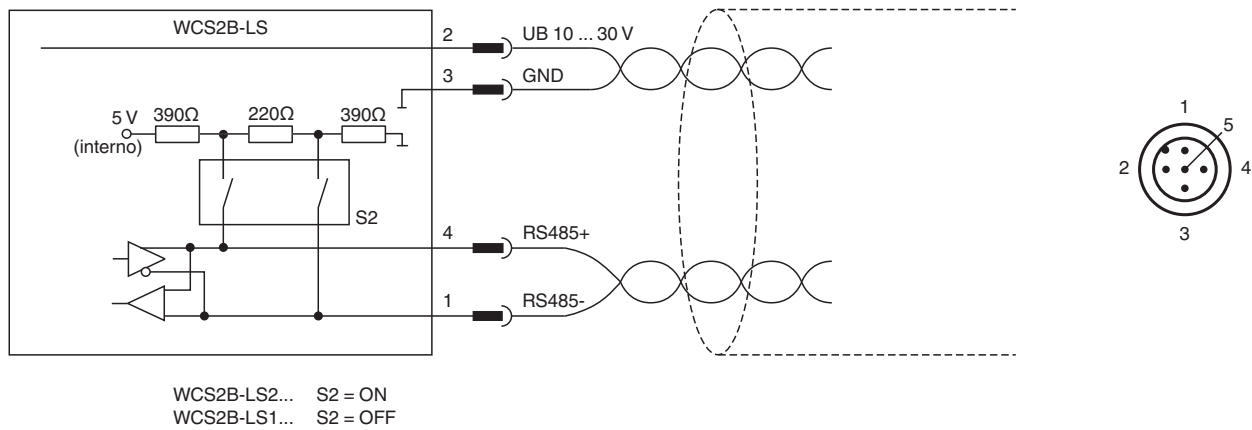
### Mechanical specifications

Connection type		5-pin, M12 x 1 connector
-----------------	--	--------------------------

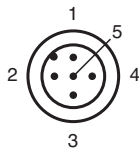
### Technical Data

Degree of protection	IP54
Material	
Housing	ABS , Polycarbonate , Polyamide (PA)
Mass	500 g
<b>General information</b>	
Ordering information	Mounting plate included with delivery

### Connection



### Connection Assignment



Wire colors in accordance with EN 60947-5-2

1	BN	(brown)
2	WH	(white)
3	BU	(blue)
4	BK	(black)
5	GY	(gray)

### Accessories

	<b>WCS-MP1</b>	Mounting plate for reading heads WCS2 and WCS3
	<b>WCS2-PL2</b>	Transparent protective case and seal for WCS2 reader

Release date: 2022-03-10 Date of issue: 2022-03-10 Filename: t39466\_eng.pdf