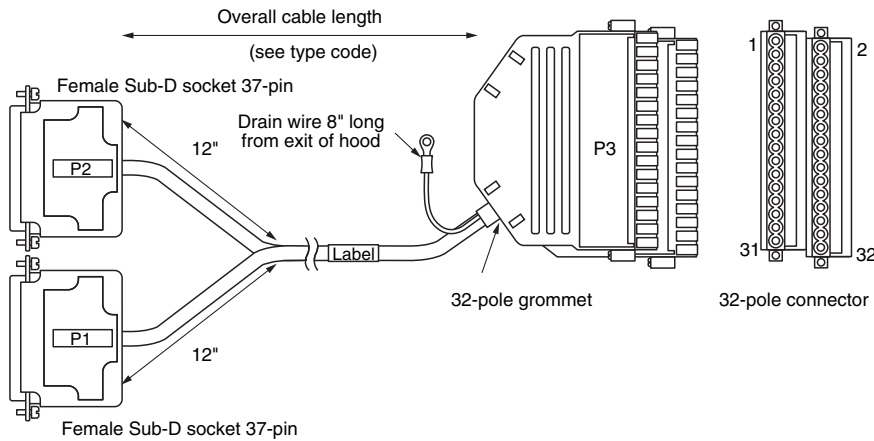


# H-System Custom Cable

## CA-HW32-F-Y2D37-AIO-DIO-\*\*

- Custom cable for Honeywell C300 system
- Connects 16-channel terminal plug on Series C IOTA to 8-channel single 37-pin D-sub connector on HiC, for single loop integrity applications
- Preconfigured lengths

### Assembly



### Technical Data

#### Electrical specifications

Rated voltage	$U_r$	300 V AC/DC
---------------	-------	-------------

#### Ambient conditions

Ambient temperature	-20 ... 105 °C (-4 ... 221 °F)
---------------------	--------------------------------

#### Mechanical specifications

Connection	37 pins/32 pins
Material	
Connector	plastic/plastic
Cable	22 AWG

#### Data for application in connection with hazardous areas

Directive conformity	UL VM-1 flame test CSA FT4 flame test RoHS compliant
----------------------	--

### Connection Assignment

	Pin	Channel	Sub-D socket, 37-pole	Weidmüller, 32-pole	
P1	1	1 (-)	19	2	P3
	2	1 (+)	37	1	
	3	2 (-)	17	4	
	4	2 (+)	35	3	
	5	3 (-)	15	6	
	6	3 (+)	33	5	

Release date: 2024-01-31 Date of issue: 2024-01-31 Filename: t40816\_eng.pdf

## Connection Assignment

	Pin	Channel	Sub-D socket, 37-pole	Weidmüller, 32-pole	
P1	7	4 (-)	13	8	P3
	8	4 (+)	31	7	
	9	5 (-)	11	10	
	10	5 (+)	29	9	
	11	6 (-)	9	12	
	12	6 (+)	27	11	
	13	7 (-)	7	14	
	14	7 (+)	25	13	
	15	8 (-)	5	16	
P2	16	8 (+)	23	15	
	17	9 (-)	19	18	
	18	9 (+)	37	17	
	19	10 (-)	17	20	
	20	10 (+)	35	19	
	21	11 (-)	15	22	
	22	11 (+)	33	21	
	23	12 (-)	13	24	
	24	12 (+)	31	23	
	25	13 (-)	11	26	
	26	13 (+)	29	25	
	27	14 (-)	9	28	
	28	14 (+)	27	27	
	29	15 (-)	7	30	
	30	15 (+)	25	29	
	31	16 (-)	5	32	
	32	16 (+)	23	31	

## Product Versions

Order designation	Length
CA-HW32-F-Y2D37-AIO-DIO-01	1 m
CA-HW32-F-Y2D37-AIO-DIO-05	5 m
CA-HW32-F-Y2D37-AIO-DIO-10	10 m
CA-HW32-F-Y2D37-AIO-DIO-15	15 m
CA-HW32-F-Y2D37-AIO-DIO-20	20 m
CA-HW32-F-Y2D37-AIO-DIO-25	25 m
CA-HW32-F-Y2D37-AIO-DIO-30	30 m
CA-HW32-F-Y2D37-AIO-DIO-35	35 m
CA-HW32-F-Y2D37-AIO-DIO-40	40 m
CA-HW32-F-Y2D37-AIO-DIO-45	45 m
CA-HW32-F-Y2D37-AIO-DIO-50	50 m