

Multifunction Terminal

MFT-*



- Suitable for fusing solenoids, alarm indicators, sounders etc, and diode decoupling of power supplies
- Simple OR gate for zone 1 mounting, visible separation for field devices, relay switches
- Bus termination
- Current limiting
- DIN rail mounting
- Maintenance without hot work permit
- Wires can be disconnected during operation once the module has been removed (parts under voltage remain covered)
- Up to SIL 3 acc. to IEC/EN 61508

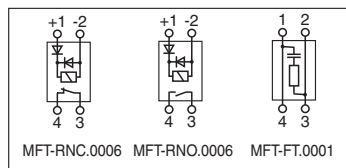
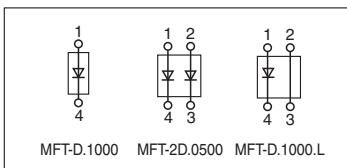
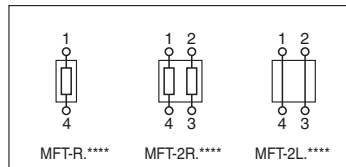
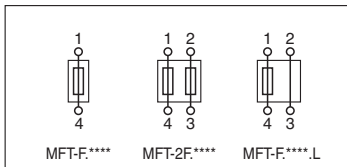
Multifunction terminal, allows maintenance work to be carried out in hazardous areas without a hot work permit



Function

The multifunction terminal allows maintenance without a hot work permit in a hazardous area. It employs a 2-step removal process, which guarantees that a potentially formed ignition spark remains inside the flameproof enclosure when lifting off a module and thus makes sure that the ignition spark has extinguished and the module is volt-free.

Connection



Technical Data

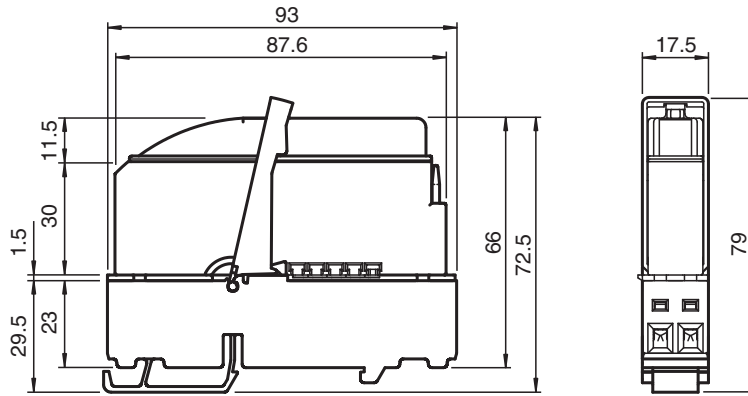
General specifications	
Function	The specific device function can be found in the ordering information section.
Functional safety related parameters	
Safety Integrity Level (SIL)	SIL 3
Electrical specifications	
Resistor	1 x 1 Ω ... 22 MΩ, 0.5 W 2 x 1 Ω ... 22 MΩ, 0.5 W
Diode	1 x I max. 1 A 2 x I max. 0.5 A
Fuse	0.032 ... 1.5 A 1.5 ... 6.3 A Pre-arcing time/current characteristic: time-lag T

Release date: 2024-10-29 Date of issue: 2024-10-29 Filename: t40921_eng.pdf

Technical Data

Nominal voltage	max. 250 V AC max. 30 V DC
Relay	
Control	24 V , approx. 5 ... 8.5 mA
Contact loading	AC max. 250 V , max. 1 A DC max. 30 V , max. 1 A
Contact resistance	0.1 Ω at 6 V, 1 A
Switching operations NO contact	3 x 10 ⁴
Switching operations NC contact	1 x 10 ⁴
Directive conformity	
Electromagnetic compatibility	
Directive 2014/30/EU	EN 61326-1:2013 (industrial locations)
Conformity	
Degree of protection	IEC 60529:2001
Ambient conditions	
Ambient temperature	-55 ... 55 °C (-67 ... 131 °F) (I _m = 1.5 ... 6.3 A) -55 ... 70 °C (-67 ... 158 °F) (I _m = 0.032 ... 1.5 A) The specific ambient temperature can be found in the ordering information section.
Mechanical specifications	
Core cross section	0.5 ... 2.5 mm ²
Degree of protection	IP20 , IP30 when plug-in module is plugged in
Mass	approx. 115 g , depending on model
Dimensions	93 x 17.5 x 79 mm (l x w x h)
Height	79 mm
Width	17.5 mm
Length	93 mm
Tightening torque	0.5 ... 1 Nm
Data for application in connection with hazardous areas	
EU-type examination certificate	PTB 07 ATEX 1004 U
Marking	Ⓔ II 2 G Ex d e IIC
Directive conformity	
Directive 2014/34/EU	EN IEC 60079-0:2018+AC:2020 , EN 60079-1:2014 , EN 60079-7:2015+A1:2018
International approvals	
IECEX approval	
IECEX certificate	IECEX BK1 08.0008U
IECEX marking	Ex d e IIC Gb
Marine approval	
DNV GL Marine	TAA0000034
General information	
Ordering information	Customer-specific values are available in the E96 series. Minimum order quantity 50 pieces.
Supplementary information	Observe the certificates, declarations of conformity, instruction manuals, and manuals where applicable. For information see www.pepperl-fuchs.com .

Dimensions



Product Versions

Function	Order code	Versions	Additional requirements	Ambient temperature	
				-55 ... +55 °C	-55 ... +70 °C
Multi function modules					
1 resistor		MFT-R.****	max. 0.5 W		X
2 identical resistors	MFT-2R.1000	MFT-2R.****		X	
Customer-specific resistors			Minimum order quantity 50 pieces		
1 diode	MFT-D.1000	MFT-D.****	Diode 230 V, 1 A	X	
1 diode + 1 jumper	MFT-D.1000.L	MFT-D.****.L	Diode 230 V, 1 A	X	
2 diodes	MFT-2D.0500	MFT-2D.****	Diodes 230 V, 0.5 A	X	
1 fuse	MFT-F.0315	MFT-F.****	max. 1.5 A		X
			> 1.5 A	X	
1 fuse + 1 jumper	MFT-F.1000.L	MFT-F.****.L	max. 1.5 A		X
			> 1.5 A	X	
2 identical fuses	MFT-2F.0500	MFT-2F.****	max. 2 x 3.15 A	X	
2 jumpers	MFT-2L.1600	MFT-2L.****			X
Bus terminator PA, FF	MFT-FT.0001				X
NO	MFT-RNO.0006		Relay 230 V, 1 A		-40 ... 70 °C
NC	MFT-RNC.0006		Relay 230 V, 1 A		-40 ... 70 °C
Sockets					
2-pole	MFT-BASE.2P				X
4-pole	MFT-BASE.4P				X

Note: sockets must be ordered separately.