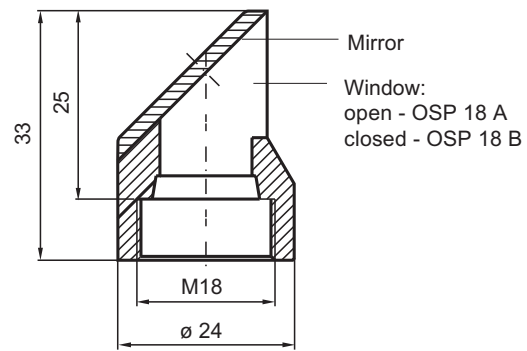


Accessories - Fixing clamps

OSP 18 A

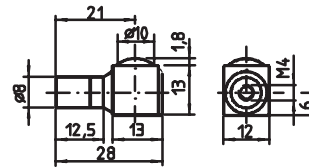
OSP 18 B

90° adjustable mirror for ...-18GM70-... series photoelectric sensors.



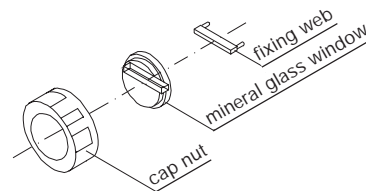
OVR-4GK

Radial off-set lens.
5 fold range increase for light guides in through beam mode. Suitable for ELG...-K3-.. simple screw fitting.



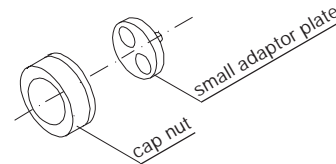
OTS 18

Optical outlet set for VariKont M
For replacement of lost or damaged parts.
(OJ500-M1K-... only)



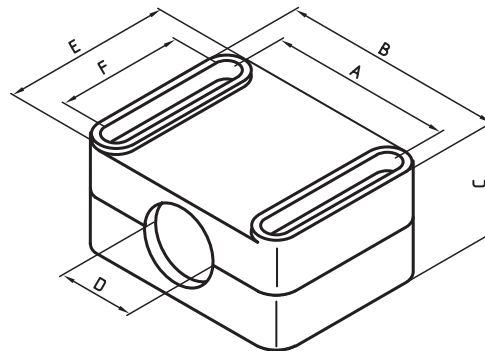
OLA 18

M18 adaptor set.
Adaptor for connection of light guides to photoelectric sensors in M18 housings.
(OBT200L-18GM70-...)



Fixing clamps

Photoelectric sensors in M12 / M18 housings are easily adjusted by use of the fixing clamp.



Material: BF... PBTP (Polybutyleneterephthalate)
4-342 POM (Polyoxymethylene)

Identification	A	B	C	D	E	F	For housing diameter	Suitable screw
BF 4,5 light guides	10	18	10	4.5	15	7	4.5	M3 x15
BF 12 Upper part transparent	24	36	19	12	30	16	12	M 4 x 20
BF 18 Upper part transparent	30	44	24	18	40	26	18	M 5 x 35

ite of issue 13.01.98