

**Features**

- Aluminum enclosure
- Ex d certified
- Installation in Zone 1, Zone 2
- Gas group IIB
- Customizable configuration of operators and cable gland types as per specification
- Degree of protection IP66

**Function**

The FW series control units are certified Ex d IIB and can be flexibly configured with one operating element covering various contact configurations.

The devices have standard cable entry positions at all sides. All enclosure types are manufactured from marine-grade aluminum.



**Type Code / Model Number**

**Enclosure type**

FW enclosure Ex d IIB (ATEX) Ex d IIC (IECEx), standard cable entries

**Material**

aluminum


**Function**

xx see data table

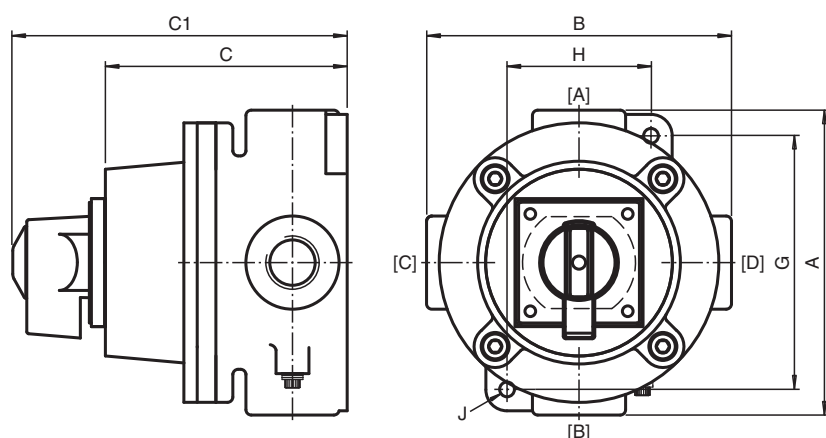
**Variant number**

-Yxxxxxx

FW	I-8	-Yxxxxxx
Example: Control unit with red mushroom button in aluminum		

<b>Technical Data</b>	
<b>Electrical specifications</b>	
Operating voltage	240 V AC max.
Operating current	see data tables
Function	see data tables
<b>Mechanical specifications</b>	
Dimensions	see data tables
Enclosure cover	detachable
Cover fixing	stainless steel socket cap head screws
Screws	M6
Number	4
Tightening torque	3 Nm
Yield stress	min. 450 N/mm <sup>2</sup>
Degree of protection	IP66
Mass	approx. 1.2 kg
Cable entry	metric threaded
Grounding	M6 external grounding points
<b>Material</b>	
Enclosure	Aluminum alloy
Finish	epoxy coated RAL 7032
Cover seal	nitrile O-ring
Flamepath grease	Fluid film grade AR
<b>Ambient conditions</b>	
Ambient temperature	-20 ... 60 °C (-4 ... 140 °F)
<b>Data for application in connection with hazardous areas</b>	
EU-Type Examination Certificate	SIRA 07 ATEX 1132X
Marking	 II 2 G Ex d IIB T* T6 @ Ta +60 °C
<b>International approvals</b>	
IECEX approval	IECEX TSA 07.0005X
<b>Conformity</b>	
Degree of protection	EN60529
Usage category	IEC / EN 60947-3
CE marking	0102
<b>General information</b>	
Supplementary information	EC-Type Examination Certificate, Statement of Conformity, Declaration of Conformity, Attestation of Conformity and instructions have to be observed where applicable. For information see <a href="http://www.pepperl-fuchs.com">www.pepperl-fuchs.com</a> .
Ordering information	This device will be delivered completely configured and assembled ready for use. For configuration details please contact Customer Service.

## Dimensions



## Legend

A	Height
B	Width
C	Depth
C1	Depth with operating element
G	Mounting holes distance, vertical
H	Mounting holes distance, horizontal
J	Mounting holes diameter
[A] ... [D]	Cable entry faces

Dimension values see data table.  
Image and drawing are generic for this device type and may deviate from the specific variant.

## Dimensions and Enclosure Details

Type	External dimensions [mm]				Mounting [mm]			Cable Entries			Terminals	
	A	B	C	C1	G	H	J	Faces A+B M20	Faces C+D M20	Torque [Nm]	Capacity [mm <sup>2</sup> ]	Torque [Nm]
FWI-1	114	114	91	108	54	95	7	1x metric ISO pitch 1.5	1x Stopping Plug	see datasheets of stopping plugs	1.5	1.2
FWI-3	114	114	91	133	54	95	7				1.5	1.2
FWI-6	114	114	91	133	54	95	7				1.5	1.2
FWI-8	114	114	91	133	54	95	7				1.5	1.2
FW210	114	114	60	126	54	95	7				2.5	0.8
FW220	114	114	60	126	54	95	7				2.5	0.8

Functions									
Type	Function	Color	Labeling	Operator action	Number of poles	Contact configuration	Switching configuration	Switching diagram	Usage category
FWI-1	pushbutton	green	-	spring return	2	1x NO / 1x NC	-		AC15: 240 V AC - 3 A AC15: 120 V AC - 6 A DC13: 250 V DC - 0.27 A DC13: 125 V DC - 0.55 A
FWI-3	mushroom button	red	EMERGENCY STOP	latching, twist to release	2	1x NO / 1x NC	-		
FWI-6	mushroom button	red	EMERGENCY STOP	latching, pull to release	2	1x NO / 1x NC	-		
FWI-8	mushroom button, lockable	red	-	spring return	2	1x NO / 1x NC	-		
FW210	control switch, small	black	1 - OFF - 2	engage - engage - engage	1	1x CO	3 position changeover with center OFF		AC15: 12 ... 250 V AC - 5 A AC21A: 12 ... 250 V AC - 20 A DC13: 12 ... 110 V DC - 1 A DC13: 12 ... 24 V DC - 20 A
FW220	control switch, small	black	1 - 2	engage - engage	1	1x CO	2 position changeover		

For details please refer to individual product datasheet  
For further configurations please contact Pepperl+Fuchs

### Operating Elements Overview

Type	Description
FWI-1	Pushbutton recessed actuator (Specify colour and contact block requirements)
FWI-2	Pushbutton projecting actuator (Specify colour and contact block requirements)
FWI-3	Pushbutton mushroom head twist to reset (Specify contact block requirements)
FWI-4	Pushbutton mushroom head key to reset (Specify contact block requirements)
FWI-5	Key operated pushbutton (Specify contact block requirements)
FWI-6	Pushbutton mushroom head pull to reset padlockable (Specify contact block requirements)
FWI-8	Pushbutton mushroom head (Specify contact block requirements)