

Features

- Aluminum enclosure
- Ex d and Ex tD certified
- Installation in Zone 1, Zone 2, Zone 21 and Zone 22
- Gas group IIC
- Customizable configuration of operators, cable entry quantities and cable gland types as per specification
- Degree of protection IP66

Function

The FC series control units are certified Ex d IIC and Ex tD A21. They can be flexibly configured with one through four operating elements covering various contact configurations. FC4 variants have standard cable entry positions while FC5 allows entry customization to meet any specific requirements. All enclosure types are manufactured from marine-grade aluminum.



Type Code / Model Number

Enclosure type

- FC4** enclosure Ex d IIC, standard cable entries
- FC5** enclosure Ex d IIC, customizable cable entries

Material

aluminum

Function


xx see data table

Variant number

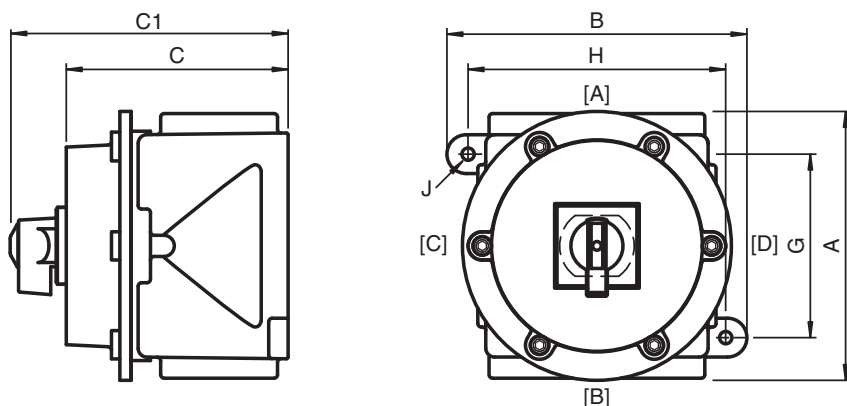
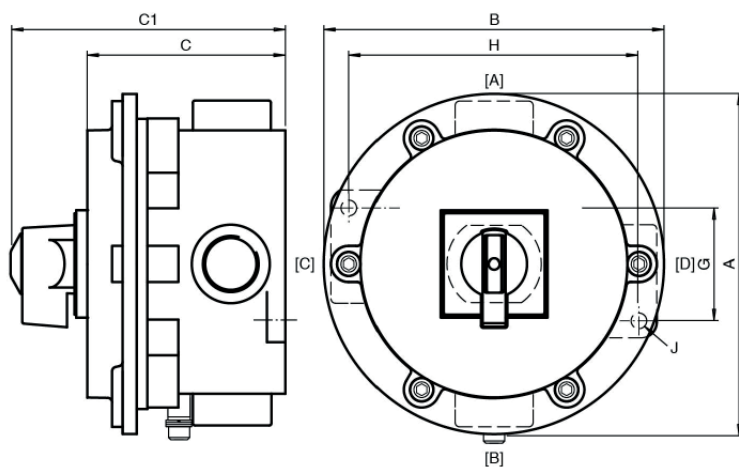
-Yxxxxxx

FC4	J-1-3	-Yxxxxxx
-----	-------	----------

Example: Control unit with green pushbutton / red mushroom button in aluminum

Technical Data	
Electrical specifications	
Operating voltage	see data tables
Operating current	see data tables
Function	see data tables
Mechanical specifications	
Dimensions	see data tables
Enclosure cover	detachable
Cover fixing	stainless steel socket cap head screws
Screws	M6
Number	6
Tightening torque	3 Nm
Yield stress	min. 450 N/mm ²
Degree of protection	IP66
Mass	approx. 1.7 kg
Cable entry	metric threaded
Grounding	M6 external grounding points
Material	
Enclosure	Aluminum alloy
Finish	epoxy coated RAL 7032
Cover seal	chloroprene
Flamepath grease	Fluid film grade AR
Ambient conditions	
Ambient temperature	-20 ... 60 °C (-4 ... 140 °F)
Data for application in connection with hazardous areas	
EU-Type Examination Certificate	SIRA 07 ATEX 1133X
Marking	 II 2 GD Ex d IIC T* Gb Ex tD A21 T6/T80 °C @ Ta +60 °C
International approvals	
IECEX approval	IECEX SIM 07.0001X
Conformity	
Degree of protection	EN60529
Usage category	IEC / EN 60947-3
CE marking	0102
General information	
Supplementary information	EC-Type Examination Certificate, Statement of Conformity, Declaration of Conformity, Attestation of Conformity and instructions have to be observed where applicable. For information see www.pepperl-fuchs.com .
Ordering information	This device will be delivered completely configured and assembled ready for use. For configuration details please contact Customer Service.

Dimensions



Legend

A	Height
B	Width
C	Depth
C1	Depth with operating element
G	Mounting holes distance, vertical
H	Mounting holes distance, horizontal
J	Mounting holes diameter
[A] ... [D]	Cable entry faces

Dimension values see data table.
Image and drawing are generic for this device type and may deviate from the specific variant.

upper drawing: FC4*

lower drawing: FC5*

Dimensions and Enclosure Details

Type	External dimensions [mm]				Mounting [mm]			Cable Entries			Terminals	
	A	B	C	C1	G	H	J	Faces A+B M20	Faces C+D M20	Torque [Nm]	Capacity [mm ²]	Torque [Nm]
FC4J-1-1	152	152	90	107	50	130	7	1x metric ISO pitch 1.5 mm	1x Stopping Plug	see datasheets of stopping plugs	1.5	0.8
FC4J-1-2	152	152	90	112	50	130	7				1.5	0.8
FC4J-1-3	152	152	90	131	50	130	7				1.5	0.8
FC4J-1-8	152	152	90	131	50	130	7				1.5	0.8
FC4A-211	152	152	80	131	50	130	7				2.5	0.8
FC4A-221	152	152	80	131	50	130	7				2.5	0.8

For dimensions of FC5* please refer to specific datasheet

Functions										
Type	Function	Color	Labeling	Operator action	Number of poles	Contact configuration	Switching configuration	Switching diagram	Usage category	
FC4J-1-1	pushbutton, flush	green	-	spring return	2	1x NO / 1x NC	-		AC15: 240 V AC - 3 A AC15: 120 V AC - 6 A DC13: 250 V DC - 0.27 A DC13: 125 V DC - 0.55 A	
	pushbutton, flush	red	-	spring return	2	1x NO / 1x NC	-			
FC4J-1-2	pushbutton, flush	green	-	spring return	2	1x NO / 1x NC	-			
	pushbutton, raised	red	-	spring return	2	1x NO / 1x NC	-			
FC4J-1-3	pushbutton, flush	green	-	spring return	2	1x NO / 1x NC	-			
	mushroom button	red	-	latching, twist to release	2	1x NO / 1x NC	-			
FC4J-1-8	pushbutton, flush	green	-	spring return	2	1x NO / 1x NC	-			
	mushroom button	red	-	spring return	2	1x NO / 1x NC	-			
FC4A-211	control switch, small	black	1 - OFF - 2	engage - engage - engage	2	2x CO	3 position changeover with center OFF			AC15: 12 ... 250 V AC - 5 A AC21A: 12 ... 250 V AC - 20 A DC13: 12 ... 110 V DC - 1 A DC13: 12 ... 24 V DC - 20 A
FC4A-221	control switch, small	black	1 - 2	engage - engage	2	2x CO	2 position changeover			

For details please refer to individual product datasheet
For further configurations please contact Pepperl+Fuchs

Functions Overview

Type Code	Description
FC4A	CA10 switch
FC4A-SS	Sail switch
FC4A-FS	Float switch
FC4B	CA20B switch
FC4C	C26 switch
FC4D	Switch (CA10 to C26) + 1 pushbutton
FC4E	Switch (CA10) + 2 pushbuttons
FC4F	Switch (CA10 to C26) + 1 pilot light
FC4G	Switch (CA10) + 2 pilot lights
FC4H	Switch (CA10) + 1 pushbutton + 1 pilot light
FC4I-Q	Break glass alarm station
FC4I	Single pushbutton
FC4-BELL	6" bell 25 V DC or 240 V AC
FC4J	2 pushbuttons
FC4K	3 pushbuttons
FC4L	1 pushbutton + 1 pilot light
FC4M	2 pushbuttons + 1 pilot light
FC4N	1 pushbutton + 2 pilot lights
FC4O	1 pilot light
FC4P	2 pilot lights
FC4R	3 pilot lights
FC4S	2 × switches (CA10)
FC4T	Thermostat
FC4TC	Thermostat / 2.5 kW element
FC4U	C32 switch (style 7 only)
FC4V	C42 switch (style 7 only)
FC4X	Combination of 4 pushbuttons (style 6 only)
FC4Z	Combination of pushbuttons and pilot lights (style 6 only)

Operating Elements Overview

Type	Description
MN1	Recessed actuator
MN2	Projecting actuator
MN3	Mushroom head twist to release (emergency stop)
MN4	Mushroom head key to reset (emergency stop)
MN5	Key operated pushbutton
MN6	Mushroom head pull to reset padlockable (emergency stop)
MN7	Module blanking plug (used for spares)
MN8	Mushroom actuator momentary
MN8A	Large mushroom head black actuator momentary
MN11	LED pilot light
MN13	Potentiometer