

Features

- Aluminum enclosure
- Ex d and Ex tD certified
- Installation in Zone 1, Zone 2, Zone 21 and Zone 22
- Gas group IIB
- Various power ratings available
- Coil voltage 415V
- Suitable for Ex d motors
- Degree of protection IP66

Function

Series F7 enclosures can accommodate DOL motor starters in gas group IIB environments. Standard and customized solutions are available up to 11 kW and comprise contactors, overload and start/stop operators. Further configuration options are available.



Type Code / Model Number

Enclosure type

F7 enclosure Ex d IIB

Material

aluminum

Function

DOL direct online starter

Power rating


xx see data table

Variant number

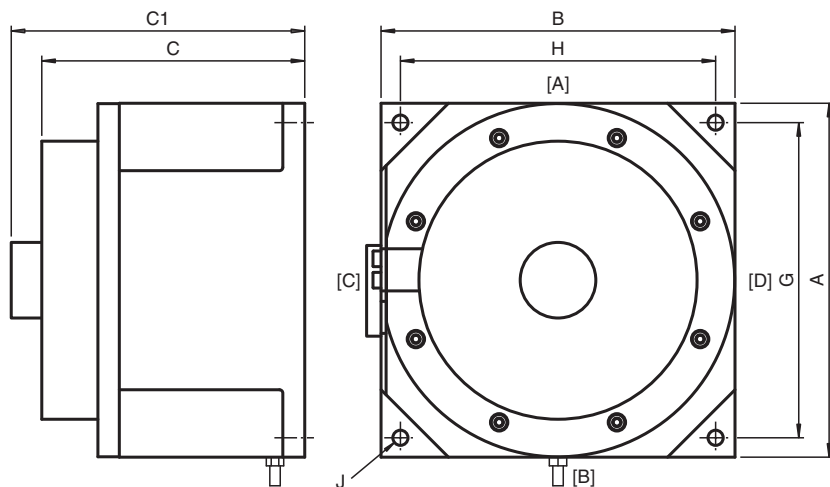
-Yxxxxxx

| | | | | | | |
|-----|--|-----|-----|--|--|----------|
| F7- | | DOL | 7.5 | | | -Yxxxxxx |
|-----|--|-----|-----|--|--|----------|

Example: Motor starter direct online in aluminum, power rating 7.5 kW

| Technical Data | |
|--|--|
| Electrical specifications | |
| Operating voltage | 415 V |
| Operating current | see data table |
| Function | direct online starter |
| Contactor rating | see data table |
| Grounding terminals capacity | M6 grounding bolt |
| Mechanical specifications | |
| Enclosure cover | detachable, hinged |
| Cover fixing | stainless steel socket cap head screws |
| Screws | M6 |
| Number | 8 |
| Tightening torque | 3 Nm |
| Yield stress | min. 450 N/mm ² |
| Degree of protection | IP66 |
| Mass | approx. 5 kg |
| Grounding | M6 external grounding points |
| Material | |
| Enclosure | Aluminum alloy |
| Finish | epoxy coated RAL 7032 |
| Cover seal | chloroprene |
| Flamepath grease | Fluid film grade AR |
| Ambient conditions | |
| Ambient temperature | -20 ... 60 °C (-4 ... 140 °F) |
| Data for application in connection with hazardous areas | |
| EU-Type Examination Certificate | SIRA 07 ATEX 1134 |
| Marking |  II 2 GD Ex d IIB T* Ex tD A21 T6/T80 °C @ Ta +60 °C |
| Maximum power dissipation | 31 W |
| International approvals | |
| IECEX approval | IECEX TSA 07.0029 |
| Conformity | |
| Degree of protection | EN60529 |
| Usage category | IEC / EN 60947-3 |
| CE marking | 0102 |
| General information | |
| Supplementary information | EC-Type Examination Certificate, Statement of Conformity, Declaration of Conformity, Attestation of Conformity and instructions have to be observed where applicable. For information see www.pepperl-fuchs.com . |
| Ordering information | This device will be delivered completely configured and assembled ready for use. For configuration details please contact Customer Service. |

Dimensions



Legend

| | |
|-------------|-------------------------------------|
| A | Height |
| B | Width |
| C | Depth |
| C1 | Depth with operating element |
| G | Mounting holes distance, vertical |
| H | Mounting holes distance, horizontal |
| J | Mounting holes diameter |
| [A] ... [D] | Cable entry faces |

Dimension values see data table. Image and drawing are generic for this device type and may deviate from the specific variant.

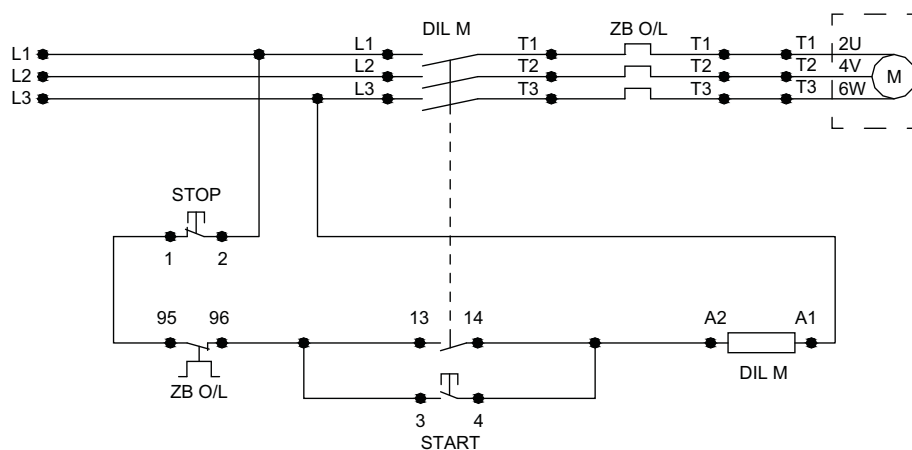
Dimensions and Enclosure Details

| Type | External dimensions [mm] | | | | Mounting [mm] | | | Cable Entries | | | Terminals | |
|---------|--------------------------|-----|-----|-----|---------------|-----|---|------------------|-------------------------|----------------------------------|-----------------------------|-------------|
| | A | B | C | C1 | G | H | J | Face A M20 | Face B M20 | Torque [Nm] | Capacity [mm ²] | Torque [Nm] |
| F7-DOL* | 210 | 210 | 158 | 199 | 187 | 187 | 9 | 2x Stopping Plug | 2x metric ISO pitch 1.5 | see datasheets of stopping plugs | 4 | 1.7 |

Electrical Data

| Type | Power [kW] | Current [A] | Coil Voltage [V] | Overload relay [A] | Phases |
|-----------|------------|-------------|------------------|--------------------|--------|
| F7-DOL4 | 4 | 9 | 415 | 7 ... 10 | 3 |
| F7-DOL5.5 | 5.5 | 11 | 415 | 9 ... 13 | 3 |
| F7-DOL7.5 | 7.5 | 14 | 415 | 12 ... 18 | 3 |

Switching Diagram



Release date 2019-07-03 T190442