

Features

- Aluminum enclosure
- Ex d and Ex tD certified
- Installation in Zone 1, Zone 2, Zone 21 and Zone 22
- Gas group IIC or gas group IIB
- Customizable configuration of terminals, cable entries and cable gland types as per specification
- Degree of protection IP66

Function

For hazardous areas of either gas group IIC or IIB three series of flameproof terminal boxes allow safe installation of distribution networks, especially in very taxing environmental conditions.



Type Code / Model Number

Enclosure type

- FW** enclosure Ex d IIB (ATEX) Ex d IIC (IECEx), standard cable entries
- FC4** enclosure Ex d IIC, standard cable entries
- FC5** enclosure Ex d IIC, customizable cable entries
- F7** enclosure Ex d IIB, customizable cable entries

Material

aluminum

Cable entry configuration

xx see data table

Variant number

-Yxxxxxx

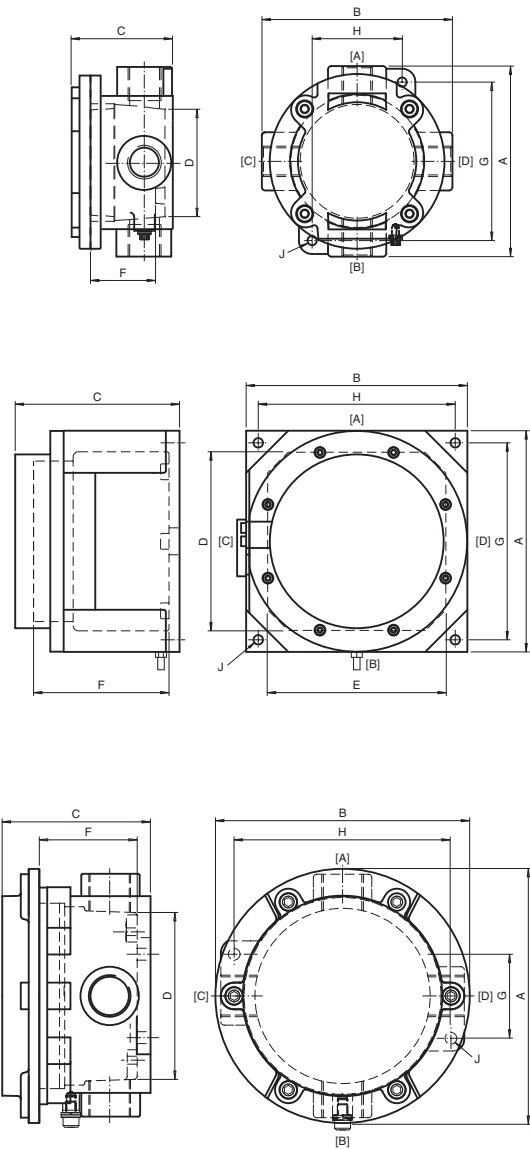
FC4	34M	-Yxxxxxx
-----	-----	----------

Example: Terminal box gas group IIC in aluminum, one cable entry M25 on each side

Release date 2019-03-27 T189688

Technical Data	
Electrical specifications	
Operating voltage	see data table
Operating current	see data table
Mechanical specifications	
Dimensions	see data table
Enclosure cover	detachable
Cover fixing	stainless steel socket cap head screws
Cover seal	chloroprene / nitrile O-ring
Flamepath grease	Fluid film grade AR
Degree of protection	IP66
Cable entry	see data table
Thread type	metric ISO pitch 1.5 mm or NPT ANSI ASME B1.20.1
Terminal type	Standard see data table, other terminal types optional
Mass	see data table valid for empty enclosure, will increase according to integrated components
Grounding	M6 external grounding points
Mounting	see data table
Material	
Enclosure	Aluminum alloy
Finish	epoxy coated RAL 7032
Ambient conditions	
Ambient temperature	-20 ... 60 °C (-4 ... 140 °F) depending on integrated components
Data for application in connection with hazardous areas	
EU-Type Examination Certificate	see data table
Maximum power dissipation	see data table maximum power dissipation at T4/+40 °C
International approvals	
IECEX approval	see data table
Conformity	
Degree of protection	EN60529
CE marking	0102
General information	
Supplementary information	EC-Type Examination Certificate, Statement of Conformity, Declaration of Conformity, Attestation of Conformity and instructions have to be observed where applicable. For information see www.pepperl-fuchs.com .
Ordering information	This solution will be delivered completely configured and assembled ready for use. For configuration details please contact Customer Service.

Dimensions



Legend	
A	Height
B	Width
C	Depth
D	Internal height or diameter
E	Internal width
F	Internal depth
G	Mounting holes distance, vertical
H	Mounting holes distance, horizontal
J	Mounting holes diameter
[A] ... [D]	Cable entry faces

Dimension values see data table. Image and drawing are generic for this device type and may deviate from the specific variant.

upper drawing: FW*
 middle drawing: F7*
 lower drawing: FC4* / FC5*

Dimensions and Enclosure Details

Type	External dimensions [mm]			Internal dimensions [mm]			Mounting [mm]			Mass approx. [kg]	Cover screws				Cover seal
	A	B	C	D	E	F	G	H	J		Mx	qty.	Min. yield stress [N/mm ²]	Torque [Nm]	
FW*	114	114	60	64	-	41	54	95	7	0.6	M6	4	450	3	nitrile O-ring
FC4*	152	152	80	104	-	60	50	130	7	1.1	M6	6	450	3	chloroprene
FC5*	150	168	100	105	105	75	104	146	7	3.2	M6	6	450	3	chloroprene
F7*	210	210	156	170	170	125	187	187	9	8	M6	8	450	3	chloroprene

Mass is valid for empty enclosure, it will increase according to integrated components and cable glands

Release date 2019-03-27 T189688

Data for application in connection with hazardous areas

Type	Operating voltage [V AC max.]	Operating current [A max.]	EU-Type Examination Certificate	Marking	IECEX approval	Max. power dissipation [W]
FW*	690	100	SIRA 07 ATEX 1132X	Ex II 2 G Ex d IIB T* Gb T6 @ Ta +60 °C	IECEX TSA 07.0005X	N.A.
FC4*	690	160	SIRA 07 ATEX 1133X	Ex II 2 GD Ex d IIC T* Gb Ex tD A21 T6/T80 °C @ Ta +60 °C	IECEX SIM 07.0001X	22
FC5*	690	160	SIRA 07 ATEX 1133X	Ex II 2 GD Ex d IIC T* Gb Ex tD A21 T6/T80 °C @ Ta +60 °C	IECEX SIM 07.0001X	26
F7*	1000	600	SIRA 07 ATEX 1134	Ex II 2 GD Ex d IIB T* Ex tD A21 T6/T80 °C @ Ta +60 °C	IECEX TSA 07.0029	59

Terminal Configuration and Cable Entries max. Quantity per Size

Type	Terminal configuration						Face A and B						Face C and D					Bottom				
	Number of rails	Rail orientation	Usable length per rail [mm]	Terminals per rail	Terminal type	Terminal capacity [mm ²]	M 16	M 20	M 25	M 32	M 40	M 50	M 16	M 20	M 25	M 32	M 40	M 16	M 20	M 25	M 32	
FW24M	1	diagonal	-	6	BK	4	-	1	-	-	-	-	-	1	-	-	-	-	-	-	-	-
FW34M	1	diagonal	-	6	BK	4	-	-	1	-	-	-	-	-	1	-	-	-	-	-	-	-
FC4-24M	1	vertical or horizontal	80	10	AKZ	2.5	-	1	-	-	-	-	-	1	-	-	-	-	-	-	-	-
FC4-34M	1	vertical or horizontal	80	10	AKZ	2.5	-	-	1	-	-	-	-	-	1	-	-	-	-	-	-	-
FC5	1	vertical or horizontal	90	15	AKZ	2.5	4	4	3	2	1	1	2	2	2	1	-	1	1	1	1	1
F7-JB	1	vertical or horizontal	140	25	WDU	2.5	-	6	5	3	2	-	-	6	5	3	2	-	-	-	-	-

For details please refer to individual product datasheet
For further configurations please contact Pepperl+Fuchs